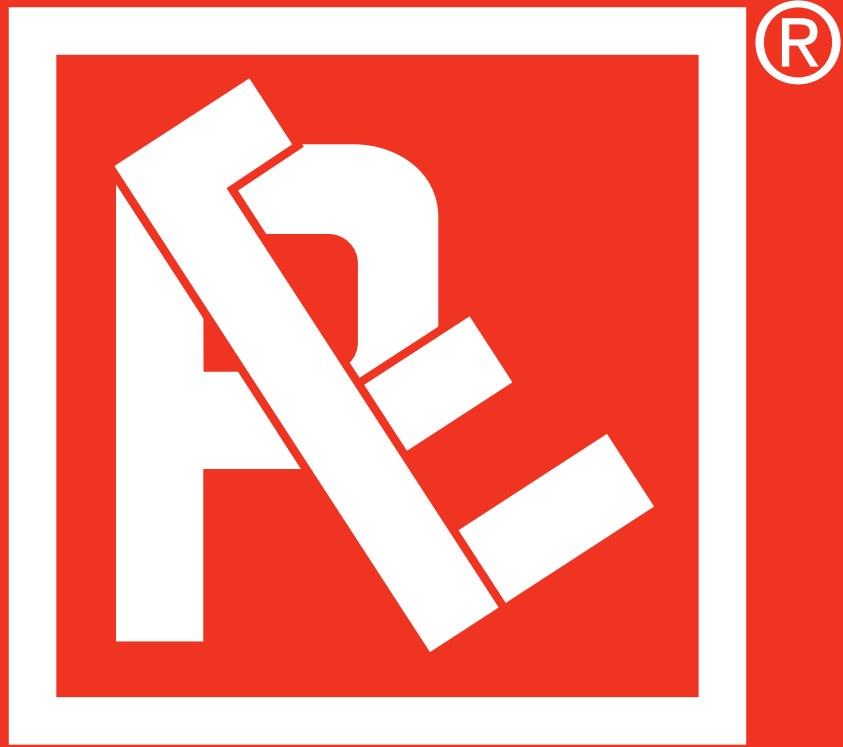


# **Cerniere per cassone fisso e a doppia apertura**

***Fixed load body hinges  
and double opening hinges***

**31**



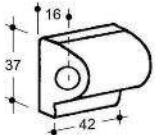
**RE-ALL**

## Cerniere per sponde in alluminio da cassone fisso

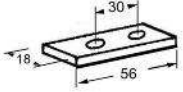
### Aluminium side board hinges for fixed load body

**Art. 31-0001/C Kit cerniera infilare zincata / Kit galvanized hinge**

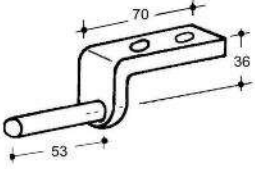
**Art. 31-00002**  
Cerniera in ferro D.13  
*Forged hinge raw D.13*  
(Kg.0,205)




**Art. 31-00048**  
Piastrina a 2 fori zincata int. 30  
*Galv. back plate interaxis 30 mm*  
(Kg.0,036)



**Art. 31-00001**  
Perno cerniera infilare zinc. D.12  
*Galvanized forged pin D.12*  
(Kg.0,206)

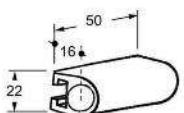


**Art. 31-00075**  
Brugola zincata D.8MA x 18  
*Galv. screw D.8MA x 18*  
(Kg.0,011) **A richiesta / On demand**

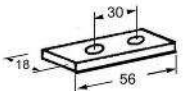


**Art. 31-00004/C Kit cerniera infilare in alluminio / Kit aluminium hinge**

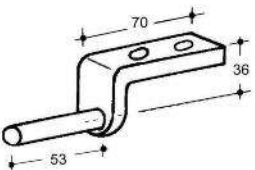
**Art. 31-00004**  
Cerniera in alluminio D.13  
*Aluminium Hinge D.13*  
(Kg.0,052)




**Art. 31-00048**  
Piastrina a 2 fori zincata int. 30  
*Galv. back plate interaxis 30 mm*  
(Kg.0,036)



**Art. 31-00001**  
Perno cerniera infilare zinc. D.12  
*Galvanized forged pin D.12*  
(Kg.0,206)

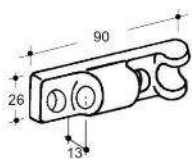


**Art. 31-00075**  
Brugola zincata D.8MA x 18  
*Galv. screw D.8MA x 18*  
(Kg.0,011) **A richiesta / On demand**

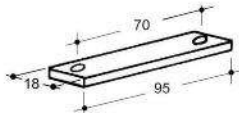


**Art. 31-00032/C Kit cerniera TIR piccola inox / Kit stainless steel light TIR hinge**

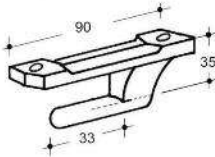
**Art. 31-00033**  
Cerniera per TIR piccola inox D.13  
*Stainless steel light TIR hinge D.13*  
(Kg.0,180)




**Art. 31-00007**  
Piastrina a 2 fori zincata int. 70  
*Galv. Back plate Int.70*  
(Kg.0,074)



**Art. 31-00032**  
Perno cern. TIR piccola inox D.12  
*Stainless steel light TIR pin*  
(Kg.0,225)

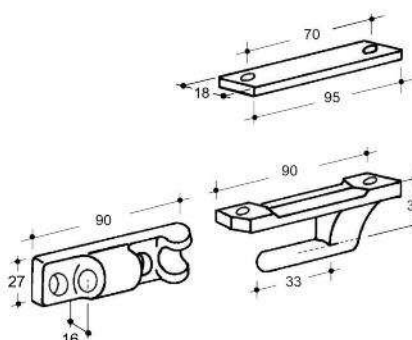


**A richiesta / On demand**  
**Art. 31-00077**  
Vite a "T" svasata D.8MAx22  
*Countersunk head screw D.8MAx22*  
(Kg.0,010)



**Cerniere per sponde in alluminio da cassone fisso*****Aluminium side board hinges for fixed load body***

Art. 31-00005/C Kit cerniera TIR piccola / Kit light TIR hinge



**Art. 31-00007**  
Piastrina a 2 fori zincata int. 70  
Galv. Back plate Int.70  
(Kg.0,074)

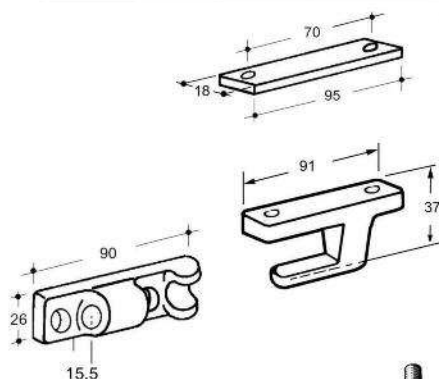
**Art. 31-00005**  
Perno cern.TIR piccola zinc.D.12  
Galvanized Light TIR pin D.12  
(Kg.0,225)

**Art. 31-00006**  
Cerniera per TIR piccola D.13  
Light TIR hinge D=13  
(Kg. 0,180)



**Art. 31-00077**  
Vite a "T" svasata D.8MAX22  
Countersunk head screw D.8MAX22  
(Kg.0,010) **A richiesta / On demand**

Art. 31-00005B/C Kit cerniera TIR piccola "BM" / Kit light TIR hinge "BM"



**Art. 31-00007**  
Piastrina a 2 fori zincata int. 70  
Galv. Back plate Int. 70  
(Kg.0,074)

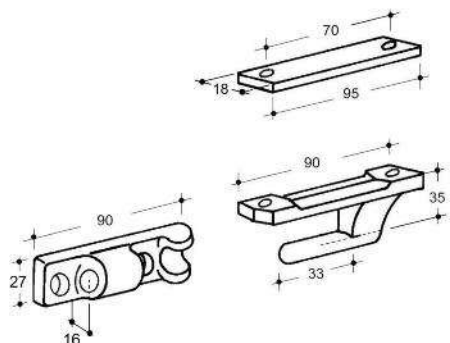
**Art. 31-00005B**  
Perno cern.TIR piccola zinc.D.12 "BM"  
Galvanized Light TIR pin D.12 "BM"  
(Kg.0,260)

**Art. 31-00006B**  
Cerniera per TIR piccola D.13 "BM"  
Light TIR hinge D=13 "BM"  
(Kg. 0,160)



**A richiesta / On demand**  
**Art. 31-00077**  
Vite a "T" svasata D.8MAX22  
Countersunk head screw D.8MAX22  
(Kg.0,010)

Art. 31-00006/C Kit cerniera TIR piccola zincata / Kit galv. light TIR



**Art. 31-00007**  
Piastrina a 2 fori zincata int. 70  
Galv. Back plate Int. 70  
(Kg.0,074)

**Art. 31-00005**  
Perno cern.TIR piccola zinc.D.12  
Galvanized Light TIR pin D.12  
(Kg.0,225)

**Art. 31-00006/Z**  
Cerniere per TIR piccola D.13 zincata  
Galvanized Light TIR hinge D.13  
(Kg.0,180)



**A richiesta / On demand**  
**Art. 31-00077**  
Vite a "T" svasata D.8MAX22  
Countersunk head screw D.8MAX22  
(Kg.0,010)

Cerniere per sponde in alluminio da cassone fisso

*Aluminium side board hinges for fixed load body*

**Art. 31-00006BZ/C Kit cerniera TIR piccola zinc "BM" / Kit galv. light TIR "BM"**

**Art. 31-00007**  
Piastrina a 2 fori zincata int. 70  
Galv. Back plate Int.70  
(Kg.0,074)

**Art. 31-00005B**  
Perno cern.TIR piccola zinc.D.12"BM"  
Galvanized Light TIR pin D.12 "BM"  
(Kg.0,260)

**A richiesta / On demand**

**Art. 31-00077**  
Vite a "T"svasata D.8MAx22  
Countersunk head screw D.8MAx22  
(Kg.0,010)

**Art. 31-00006BZ**  
Cerniera per TIR piccola D.13 "BM" zinc.  
Galv. Light TIR hinge D=13 "BM"  
(Kg. 0,160)

**Art. 31-00008/C Kit cerniera TIR grande / Kit heavy TIR hinge**

**Art. 31-00003**  
Piastrina a 3 fori zinc.int.30+65  
Galv. Back plate Int.30+65  
(Kg.0,093)

**Art. 31-00008**  
Perno cern. TIR grande D.15 zinc.  
Galvanized heavy TIR pin D.15  
(Kg.0,393)

**A richiesta / On demand**

**Art. 31-00074**  
Brugola zincata D.8MA x 16  
Galvanized screw D.8MA x 16  
(Kg.0,010)

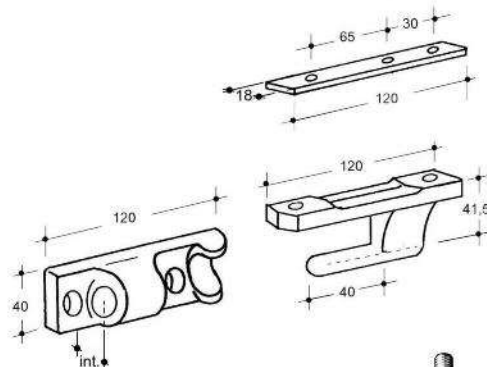
**Art. 31-00009**  
Cerniera per TIR grande int.16 - D.16  
Heavy TIR hinge int.16 - D.16  
(Kg.0,400)

**(opzioni / options) (art.31-0008/C)**

**Art. 31-00009/Z**  
Cerniera per TIR grande zinc.int.16 D.16 / Galvanized Heavy TIR hinge D.16 Int.16  
(Kg.0,429)

**Art. 31-00009/A**  
Cerniera per TIR grande int.18 D.16 / Heavy TIR hinge D.16 Int.18  
(Kg.0,405)

**Art. 31-00009/AZ**  
Cerniera per TIR grande zinc.int.18 D.16 / Galvanized Heavy TIR hinge D.16 Int.18  
(Kg.0,429)

**Cerniere per sponde in alluminio da cassone fisso*****Aluminium side board hinges for fixed load body*****Art. 31-00008B/C Kit cerniera TIR grande "BM" / Kit heavy TIR hinge "BM"****Art. 31-00003**

Piastrina a 3 fori zinc.int.30+65  
Galv. Back plate Int.30+65  
(Kg.0,093)

**Art. 31-00008B**

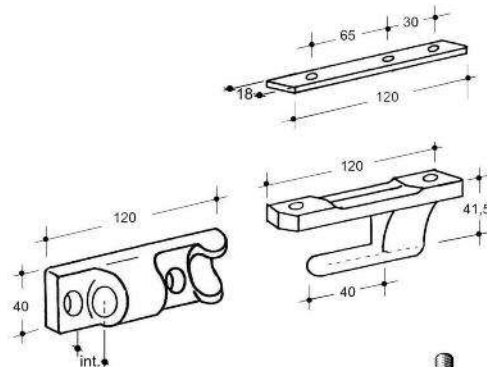
Perno cern. TIR grand D.15 zinc:"BM"  
Galvanized heavy TIR pin D.15 "BM"  
(Kg.0,393)

**A richiesta / On demand****Art. 31-00074**

Brugola zincata D.8MA x 16  
Galvanized screw D.8MA x 16  
(Kg.0,010)

**Art. 31-00009B**

Cerniera per TIR grande int.16 D.16 "BM"  
Heavy TIR hinge D.16 Int.16 "BM"  
(Kg.0,405)

**Art. 31-00008BZ/C Kit cerniera TIR grande "BM" zinc. / Galv. Kit heavy TIR hinge "BM"****Art. 31-00003**

Piastrina a 3 fori zinc.int.30+65  
Galv. Back plate Int.30+65  
(Kg.0,093)

**Art. 31-00008B**

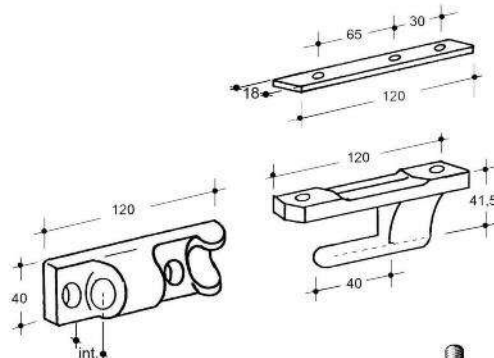
Perno cern. TIR grand D.15 zinc:"BM"  
Galvanized heavy TIR pin D.15 "BM"  
(Kg.0,393)

**A richiesta / On demand****Art. 31-00074**

Brugola zincata D.8MA x 16  
Galvanized screw D.8MA x 16  
(Kg.0,010)

**Art. 31-00009BZ**

Cerniera per TIR grande int.16 D.16 "BM" zinc.  
Galv. Heavy TIR hinge D.16 Int.16 "BM"  
(Kg.0,405)

**Art. 31-00030/C Kit cerniera TIR grande inox / Kit stainless steel heavy TIR hinge****Art. 31-00003**

Piastrina a 3 fori zinc.int.30+65  
Galv. Back plate Int.30+65  
(Kg.0,093)

**Art. 31-00030**

Perno cern. TIR grande inox D.15  
Stainless steel heavy TIR pin D.15  
(Kg.0,415)

**A richiesta / On demand****Art. 31-00074**

Brugola zincata D.8MA x 16  
Galvanized screw D.8MA x 16  
(Kg.0,010)

**Art. 31-00031**

Cerniera per TIR grande inox int.16 D.16  
Stainless steel heavy TIR hinge int.16 D.16  
(Kg.0,400)

## Cerniere per sponde in alluminio da cassone fisso

### Aluminium side board hinges for fixed load body

**Art. 31-00030B/C Kit cerniera TIR grande inox "BM" / Kit S.s. heavy TIR hinge "BM"**

**Art. 31-00003**  
Piastrina a 3 fori zinc.int.30+65  
Galv. Back plate Int.30+65  
(Kg.0,093)

**Art. 31-00030B**  
Perno cern. TIR grande inox D.15 "BM"  
S.s. heavy TIR pin D.15 "BM"  
(Kg.0,393)

**Art. 31-00031B**  
Cerniera per TIR grande int.16 D.16 "BM"inox  
S.s. Heavy TIR hinge D.16 Int.16 "BM"  
(Kg.0,405)

**Art. 31-00074**  
Brugola zincata D.8MA x 16  
Galvanized screw D.8MA x 16  
(Kg.0,010) **A richiesta / On demand**

**Art. 31-00026/C Kit cern.TIR alta zinc.con perno inclinato / Kit galv.heavy TIR pin high and**

**Art. 31-00003** (Kg.0,093)  
Piastrina a 3 fori zinc.int.30+65  
Galv. Back plate Int.30+65

**Art. 31-00026** (Kg.0,550)  
Perno cern.TIR alto inclinato e fresato zinc. D.15  
Galvanized heavy TIR pin high and D.15  
(Kg.0,550)

**Art. 31-00009** (Kg.0,400)  
Cerniera per TIR grande int.16 - D.16  
Heavy TIR hinge int.16 - D.16

**Art. 31-00074**  
Brugola zincata D.8MA x 16  
Galvanized screw D.8MA x 16  
(Kg.0,010) **A richiesta / On demand**

**Art. 31-00028/C Kit cerniera TIR alta zincata / Kit galv.heavy TIR hinge**

**Art. 31-00003**  
Piastrina a 3 fori zinc.int.30+65  
Galv. Back plate Int.30+65  
(Kg.0,093)

**Art. 31-00028**  
Perno per cern.TIR alta zinc.D.15  
Galv.heavy TIR pin high D.15  
(Kg.0,543)

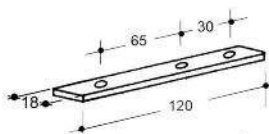
**Art. 31-00009**  
Cerniera per TIR grande int.16 - D.16  
Heavy TIR hinge int.16 - D.16  
(Kg.0,400)

**Art. 31-00074**  
Brugola zincata D.8MA x 16  
Galvanized screw D.8MA x 16  
(Kg.0,010) **A richiesta / On demand**

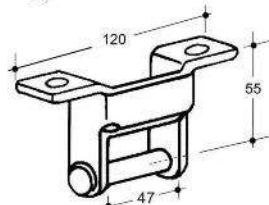
## Cerniere per sponde in alluminio da cassone fisso

*Aluminium side board hinges for fixed load body*

Art. 31-00016/C Kit cerniera cavallotto zincata / kit galvanized hinge



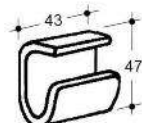
**Art. 31-00003**  
Piastrina a 3 fori zinc.int.30+65  
Galv. Back plate Int.30+65  
(Kg.0,093)



**Art. 31-00016**  
Cerniera cavallotto zincata D.12  
Galvanized hinge D.12  
(Kg.0,253)

*A richiesta / On demand*

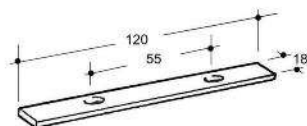
**Art. 31-00075**  
Brugola zincata D.8MA x 18  
Galv. screw D.8MA x 18  
(Kg.0,011)



**Art. 31-00017**  
Supporto cerniera cavallotto  
Hook raw  
(Kg.0,146)

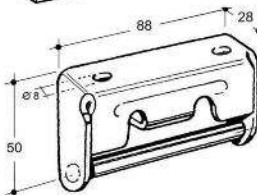
Art. 31-00150/C Kit cerniera L=88 inox

Kit Stainless steel hinge L=88

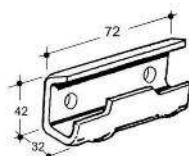


**Art. 31-00152**  
Piastrina a 2 fori zinc.int. 55  
Galvanized Back plate Int.55  
(Kg.0,094)

**Art. 31-00150**  
Cerniera INOX L=88  
Stainless steel hinge L=88  
(Kg.0,304)

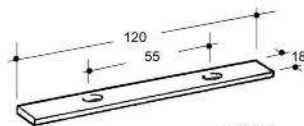


**Art. 31-00147**  
Supporto cerniera INOX  
Stainless steel support  
(Kg.0,198)



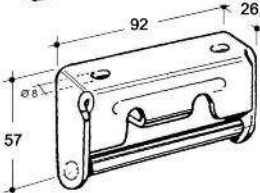
Art. 31-00150Z/C Kit cerniera L=92 zincata

Kit galvanized hinge L= 92

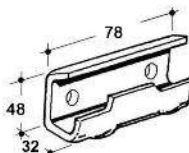


**Art. 31-00152**  
Piastrina a 2 fori zinc.int. 55  
Galvanized Back plate Int.55  
(Kg.0,094)

**Art. 31-00150Z**  
Cerniera zincata L=92  
Galv. hinge L=92  
(Kg.0,304)



**Art. 31-00147Z**  
Supporto cerniera zincata  
Galv. support  
(Kg.0,205)



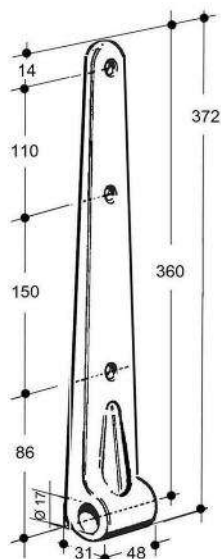


## Cerniere per sponde in alluminio da cassone fisso

### Aluminium side board hinges for fixed load body

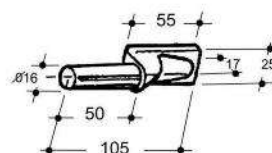
Art. 31-00148/C

Kit cern. S.A.I. con rinforzo zinc.L=360 Kit galv.reinforced S.A.I. hinge L=360



Art. 31-00148

Cerniera S.A.I. con rinforzo zincata L=360  
Galvanized reinforced S.A.I. hinge L=360  
(Kg.0,886)

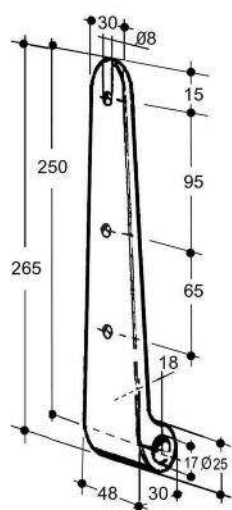


Art. 31-00149

Perno per cerniera S.A.I. D16  
Sideboard pin for SAI. hinge  
(Kg.0,190)

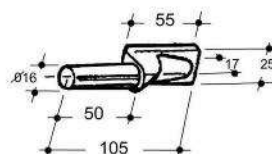
Art. 31-00151/C

Kit cern. S.A.I. senza rinforzo zinc. L=250 Kit galv. S.A.I. hinge L=250



Art. 31-00151

Cerniera S.A.I. senza rinforzo zincata L=250  
Galvanized S.A.I. hinge L=250  
(Kg.0,705)



Art. 31-00149

Perno per cerniera S.A.I. D16  
Sideboard pin for SAI. hinge  
(Kg.0,190)

**Cerniere per sponde in alluminio a doppia apertura****Aluminium side board hinges double opening**

Art. 31-00035/C Kit cern. a doppia apertura "mignon zinc.mm.25

*Kit welded aluminium side board light hinge galv.25.mm***Art. 31-00038**

Piastrina a 2 fori zinc.int. 75

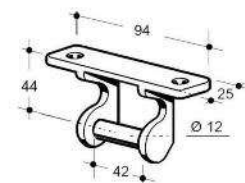
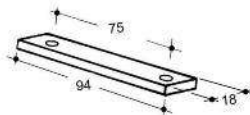
*Galv. Back plate Int.75*

(Kg.0,076)

**Art. 31-00037**

(Kg.0,052)

Paletta per cern. foro D.16

*Light raw locking plate**(hole D.16)***Art. 31-00035**

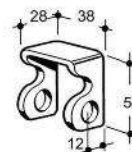
(Kg.0,275)

Cern.doppia apertura zinc.

*mignon mm.25**Welded aluminium side board light hinge galv.25mm***A richiesta / On demand****Art. 31-00075**

(Kg.0,011)

Bruola zincata D.8MA x 18

*Galv. screw D.8MA x 18***Art. 31-00036**

(Kg.0,052)

Supporto cerniera (foro D.16)

*Light raw support (hole D.16)*

Art. 31-00040/C Kit cern. a doppia apertura zinc.mm.25

*Kit welded aluminium side board heavy hinge galvanized 25 mm m***Art. 31-00003**

Piastrina a 3 fori zinc.int. 30+65

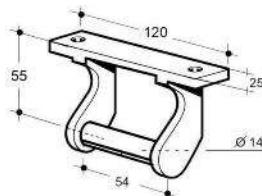
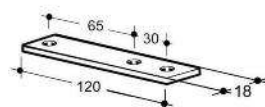
*Galv.back plate Int.30+65*

(Kg.0,093)

**Art. 31-00042/N**

(Kg.0,143)

Paletta per cern. foro D.20

*Heavy raw locking plate**(hole D.20)***Art. 31-00040**

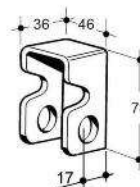
(Kg.0,375)

Cern.doppia apertura zinc.25mm.

*Welded aluminium side board heavy hinge galv.25 mm***A richiesta / On demand****Art. 31-00075**

(Kg.0,011)

Bruola zincata D.8MA x 18

*Galv. screw D.8MA x 18***Art. 31-00041**

(Kg.0,180)

Supporto cerniera foro D.21

*Heavy raw support hole D.21*

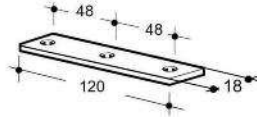
Cerniere per sponde in alluminio a doppia apertura

Aluminium side board hinges double opening

Art. 31-00043/C Kit cerniera doppia apertura zinc.30mm. / Kit aluminium side board galv.30mm

**Art. 31-00044**

Piastrina a 3 fori c/foro centrale D.12 zinc.  
Galv.back plate  
(Kg.0,088)



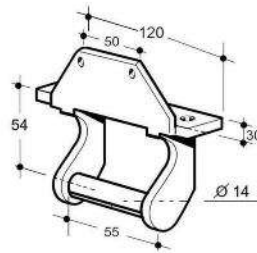
*A richiesta / On demand*

**Art. 31-00075**

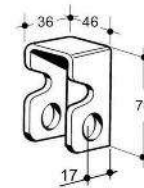
Bruqola zincata D.8MA x 18  
Galv. screw D.8MA x 18  
(Kg.0,011)



**Art. 31-00042/N** (Kg.0,143)  
Paletta per cern. foro D.20  
Heavy raw locking plate  
(hole D.20)



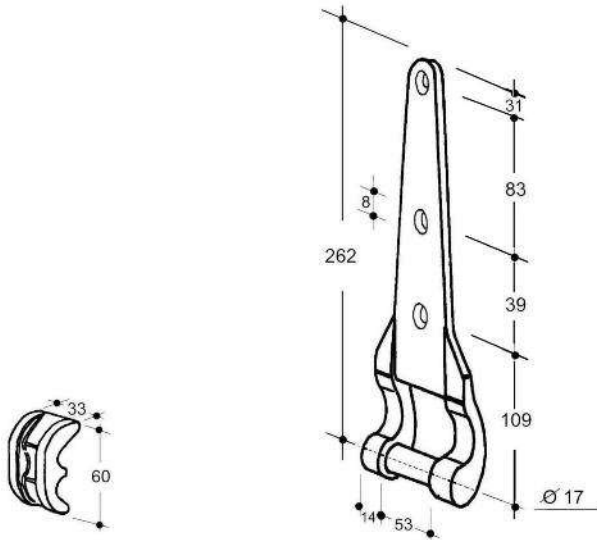
**Art. 31-00043** (Kg.0,580)  
Cern.doppia apertura zinc.mm.30  
Aluminium side board galv.  
hinge 30 mm



**Art. 31-00041**  
Supporto cerniera foro D.21  
Heavy raw support hole D.21  
(Kg.0,180)

Cerniere per sponde in alluminio a doppia aperturaAluminium side board hinges double opening

Art. 31-00045/C Kit cerniera ribaltabile H.262 zincata / Kit galv. high hinge for dump trucks H.262

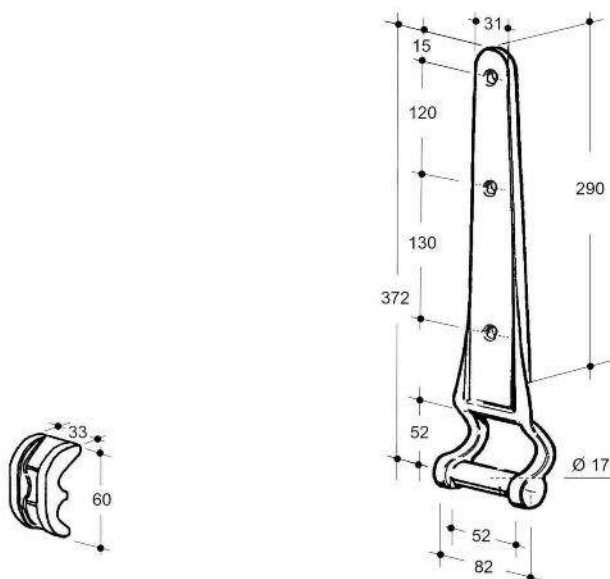


**Art. 31-00042**  
Paletta per cerniera  
Raw locking plate  
(Kg.0,100)

**Art. 31-00045**  
Cern.ribaltabile alta zinc.H.262  
Galv.high hinge for dump trucks H.262  
(Kg.0,765)

**Art. 31-00046**  
Supporto cern. (foro D.21)  
Raw support (hole D.21)  
(Kg.0,244)

Art.31-00155/C Kit cern.ribaltabile alta zinc.H.372 / Galv.high hinge for dump trucks H.372



**Art. 31-00042**  
Paletta per cerniera  
Raw locking plate  
(Kg.0,100)

**Art. 31-00155**  
Cerniera ribaltabile alta zinc.H.372  
Galv.high hinge for dump trucks H.372  
(Kg.1,075)

**Art. 31-00046**  
Supporto cern. (foro D.21)  
Raw support (hole D.21)  
(Kg.0,244)

Cerniere per sponde in alluminio a doppia apertura

Aluminium side board hinges double opening

Art. 31-00161/C Kit cerniera ribaltabile zinc.H.1190 / Kit galv.hinge for dump trucks H.1190

**Art. 31-00042** (Kg.0,100)  
Paletta per cerniera  
Raw locking plate

**Art. 31-00161**  
Cerniera ribaltabile zinc.H.1190  
Galv.hinge for dump trucks H.1190  
(Kg.2,000)

**Art. 31-00046** (Kg.0,244)  
Supporto cern. (foro D.21)  
Raw support (hole D.21)

Art. 31-00162/C Kit cerniera ribaltabile zinc.H.790 / Kit galv.hinge for dump trucks H.790

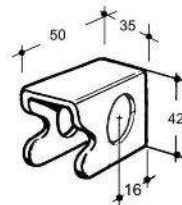
**Art. 31-00042** (Kg.0,100)  
Paletta per cerniera  
Raw locking plate

**Art. 31-00162**  
Cerniera ribaltabile zinc.H.790  
Galv.hinge for dump trucks H.790  
(Kg.1,500)

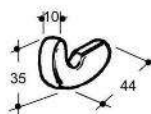
**Art. 31-00046** (Kg.0,244)  
Supporto cern. (foro D.21)  
Raw support (hole D.21)

Cerniere per sponde in alluminio a doppia aperturaAluminium side board hinges double opening**Art. 31-00163/C** Supporto asta tipo RAO / *Raw support for hook paddle RAO type***Art. 31-00163**

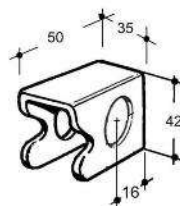
Supporto asta tipo RAO foro D.21  
*Raw support for hook paddle RAO type hole D.21*  
 (Kg.0,150)

**Art. 31-00164**

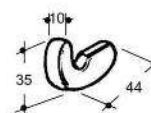
Paletta per supporto asta  
*Raw hook paddle RAO type*  
 (Kg.0,052)

**Art. 31-00165/C** Supporto asta tipo RAO inox / *Stainless steel support RAO type***Art. 31-00165**

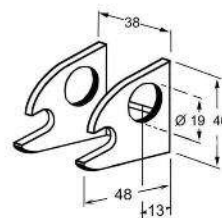
Supporto asta tipo RAO inox foro D.21  
*Stainless steel support RAO type hole D.21*  
 (Kg.0,120)

**Art. 31-00166**

Paletta per supporto asta inox  
*Stainless steel locking plate RAO type*  
 (Kg.0,052)

**Art. 31-00167/C** Supporto asta tipo RE-ALL / *Raw support for hook paddle RE-ALL type***Art. 31-00167**

Supporto asta tipo RE-ALL foro D.19  
*Raw support for hook paddle RE-ALL type hole D.19*  
 (Kg.0,240)

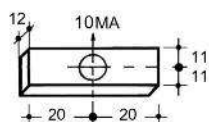
**Art. 31-00168**

Paletta per supporto asta tipo RE-ALL  
*Raw hook paddle RE-ALL type*  
 (Kg.0,140)



## Piastrine

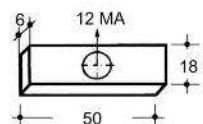
## Back plate



**Art. 31-00039**

(Kg.0,032)

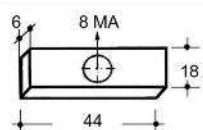
Piastrina alluminio 1 foro D.10MA  
Aluminium back plate with one hole D.10ma



**Art. 31-00049**

(Kg.0,040)

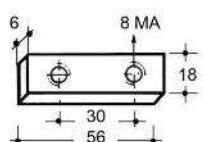
Piastrina zinc.1foro D.12MA  
Galv.back plate with one hole D.12MA



**Art. 31-00051**

(Kg.0,032)

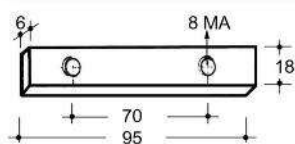
Piastrina zinc.1foro D.8MA per paracicli 100x30  
Galv.back plate with one hole D.8MA



**Art. 31-00048**

(Kg.0,036)

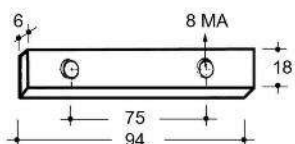
Piastrina zinc.2fori int.30mm. per tasch. registrab.  
Galv.back plate with 2 holes int.30mm for strike adjustable



**Art. 31-00007**

(Kg.0,076)

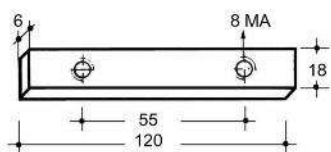
Piastrina zinc.2fori int.70mm  
Galv.back plate with 2 holes int.70mm



**Art. 31-00038**

(Kg.0,076)

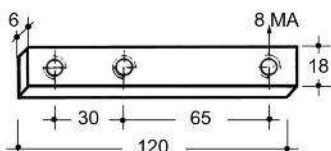
Piastrina zinc.2fori int.75mm  
Galv.back plate with 2 holes int.75mm



**Art. 31-00152**

(Kg.0,094)

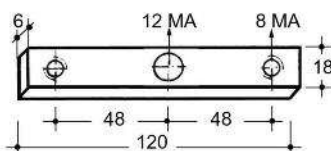
Piastrina zinc.2fori int.55mm.  
Galv.back plate with 2 holes int.55mm.



**Art. 31-00003**

(Kg.0,093)

Piastrina zinc.3fori int.30+65mm.  
Galv.back plate with 3 hole int.30+65mm.



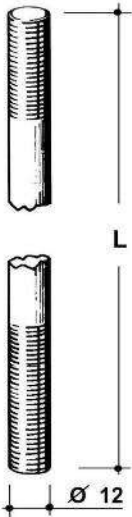
**Art. 31-00044**

(Kg.0,088)

Piastrina zinc.3fori int.48+48 c/foro centr.D.12MA  
Galvanized back plate with one central hole D.12MA - int.48+48mm

## Aste filettate

## Tie rod thread



Art.	Aste filettate / Tie Rod thread	D.	L=	Kg.
31-00055	Asta filettata Raw tie rod	12 MA	400	0,280
31-00056	Asta filettata zinc. Galv. tie rod	12 MA	400	0,280
31-00057	Asta filettata Raw tie rod	12 MA	500	0,350
31-00058	Asta filettata zinc. Galv. tie rod	12 MA	500	0,350
31-00059	Asta filettata Raw tie rod	12 MA	600	0,420
31-00060	Asta filettata zinc. Galv. tie rod	12 MA	600	0,420
31-00061	Asta filettata Raw tie rod	12 MA	800	0,560
31-00062	Asta filettata zinc. Galv. tie rod	12 MA	800	0,560
31-00067	Asta filettata Raw tie rod	12 MA	900	0,630
31-00068	Asta filettata zinc. Galv. tie rod	12 MA	900	0,630
31-00063	Asta filettata Raw tie rod	12 MA	1000	0,700
31-00064	Asta filettata zinc. Galv. tie rod	12 MA	1000	0,700
31-00069	Asta filettata Raw tie rod	12 MA	1100	0,770
31-00069Z	Asta filettata zinc. Galv. tie rod	12 MA	1100	0,770
31-00065	Asta filettata Raw tie rod	12 MA	1200	0,840
31-00066	Asta filettata zinc. Galv. tie rod	12 MA	1200	0,840

## Distanziali e Dadi per aste filettate /

## Bushes and Nut for Tie rod thread



ART.	Distanziali / Bushes	A	B	Ø	kg.
31-00072	Alluminio filettato S/25 Aluminium S/25	20	22,5	13	0,008
31-00073	Alluminio filettato S/30 Aluminium S/30	20	27,5	13	0,009
31-00072Z	FE / ZINC. filettato S/25 Galvanized S/25	25	22,5	13	0,024



## Art. 31-00070

(Kg.0,042)

Dado esagonale zinc.D.12MA per asta filettata  
Galv.hexagonal nut D.12MA for tie rod



## Art. 31-00071

(Kg.0,042)

Dado svasato zinc.D.12MA per asta filettata  
Galv.nut D.12 for tie rod



## Art. 31-00071/F

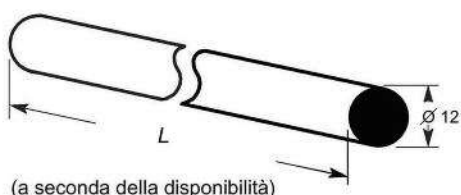
(Kg.0,042)

Dado svasato/fresato zinc. D.12MA per asta filettata  
Galvanized nut D.12 for tie rod



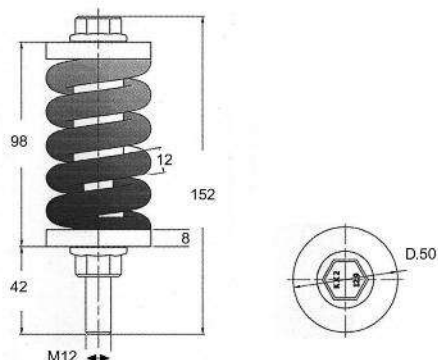
## Accessoristica

## Accessories

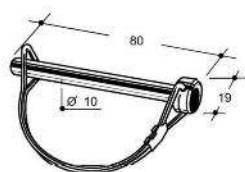


(a seconda della disponibilità)

**Art. 31-00011** (Kg.3,520)  
 Tondino inox trafilato L=3000 o L=4000 D.12  
 Full-drawn steel round bar L=3000 / L=4000 D.12



**Art. 31-00050** (Kg.1,080)  
 Sistema di fissaggio elastico  
 Elastic fixing system



**Art. 31-00094** (Kg.0,073)  
 Spina per motozappa D.10  
 Locking pin D.10

Art. 31-00051/C	Art.	Kit ancoraggio paracicli composto da : / Kit includes :	
	31-00051	Piastrina zincata 1 foro D.8	/ Galv.back with one hole D.8
	31-00079	Rondella piana D.8x16	/ Washer D.8x16
	31-00085	Vite a T bombata con cava D.8x14	/ hexagon socket button head D.8x14
	31-00086	Rondella dentellata D.8x14	/ Washer D.8x14

## Coppiglie - Spine elastiche

## Cotter pins - Spring locking pins

Art.	Coppiglie	Cotter pins	Dim.	Kg.
	31-00090	Mout	Ø 3	0,010
	31-00091	Mout	Ø 4	0,020
	31-00092	Mout	Ø 5	0,035


Art.	Spine elastiche	Spring locking pins	Dim.	Kg.
	31-00095	L=30	Ø 3	0,002
	31-00105	L=25	Ø 5	0,002
	31-00096	L=30	Ø 5	0,003
	31-00097	L=30	Ø 6	0,004


## Dadi - Brugole - Viti


## Nut - Screw

	Dadi autobloccanti zincati	Galvanized self-locking nut	Dim.	Kg.	
	31-00078		8 MA	0,010	
	31-00084		4 MA	0,005	
	31-00054	per cavallotto piccolo (33-00096) / for lashing ring (33-00096)		10 MA x 1,50	0,010
	31-00093	per cavallotto inox (33-00095) / for S.s. lashing ring (33-00095)		12 MA x 1,25	0,010
	31-00047	per cavallotto (33-00094) / for lashing ring (33-00094)		12 MA x 1,75	0,010

	Brugole zincate	Galvanized Screw	Dim.	Kg.
	31-00082		Ø 8 x 10	0,010
	31-00082/T	trattate / Treated	Ø 8 x 10	0,010
	31-00125		Ø 8 x 14	0,010
	31-00074		Ø 8 x 16	0,010
	31-00074/T	trattate / Treated	Ø 8 x 16	0,010
	31-00075		Ø 8 x 18	0,011
	31-00087/T	trattate / Treated	Ø 8 x 28	0,010
	31-00126		Ø 10 x 22	0,012
	31-00126/T	trattate / Treated	Ø 10 x 22	0,012

	Viti testa	Screw head	Dim.	Kg.	
	31-00076/14	svasata	countersunk	Ø 8 x 14	0,008
	31-00076/50	svasata	countersunk	Ø 8 x 50	0,020
	31-00076	svasata	countersunk	Ø 8 x 25	0,010
	31-00077	svasata	countersunk	Ø 8 x 22	0,010

	31-00120	esagonale c/dado autobloc.	hexagon with self-lock D.5MA	Ø 5 x 40	0,010
	31-00083	esagonale	hexagon	Ø 8 x 14	0,008
	31-00099	esagonale	hexagon	Ø 8 x 20	0,010
	31-00283	esagonale	hexagon	Ø 4 x 20	0,008

	31-00085	bombata con cava esagonale	Hexagon socket button head	Ø 8 x 14	0,008
	31-00123	bombata con cava esagonale	hexagon socket button head	Ø 4 x 12	0,004

	31-00116	trilobata esagonale	hexagon	Ø 8 x 35	0,010
---	----------	---------------------	---------	----------	-------

**Art. 31-00117**

Vite perno Laterale zincato per Mini 1 e 2 Galvanized side screw bolt for Mini 1 e 2

(Kg.0,290)

**Art. 31-00053**

Vite autofilettante D.5 x 14 Self-tapping screw D.5 x 14

(Kg.0,004)

**Art. 31-00098**

Ribattino in alluminio D.5- sottotesta 10mm. Aluminium rivet D.5

(Kg.0,002)

## Rondelle piane

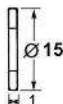
## Washer



Art. 31-00122

Rondella piana D.4 x 9 / Washer D. 4 x 9

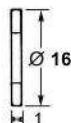
(Kg.0,005)



Art. 31-00121

Rondella piana D.5x15 / Washer D. 5 x 15

(Kg.0,005)



Art. 31-00079

Rondella piana D.8,5 x16 / Washer D.8,5 x16

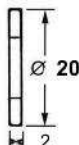
(Kg.0,010)



Art. 31-00079/24

Rondella piana D. 8,5x24 / Washer 8,5x24

(Kg.0,013)



Art. 31-00079/10

Rondella piana D.10,5x20 / Washer 10,5 x 20

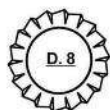
(Kg.0,013)



Art. 31-00080

Rondella piana D.14,5x42 / Washer d. 14,5

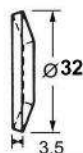
(Kg.0,028)



Art. 31-00086

Rondella dentellata D.8x14 / Washer D.8x14

(Kg.0,005)



Art. 31-00081

Rondella a tazza D.14,5x32 / Washer d. 14,5

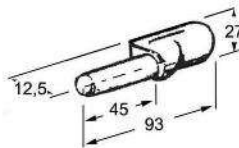
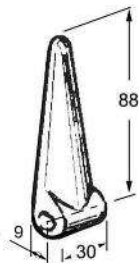
(Kg.0,015)

## Cerniere e perni per sponde in ferro

## Iron side board hinges and pins

Art. 31-00088/C Cerniera bombata leggera L=88 / Raw light hinge L=88

Art. 31-00088

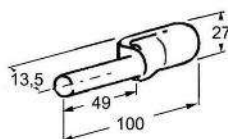
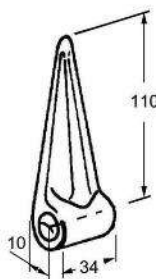
Cerniera bombata leggera L=88  
Raw light hinge L=88  
(Kg.0,113)

Art. 31-00089

Perno D.11  
Raw pin D.11  
(Kg.0,102)

Art. 31-00100/C Cerniera bombata media L=110 / Raw medium hinge L=110

Art. 31-00100

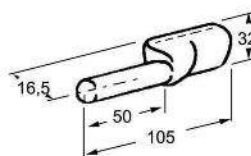
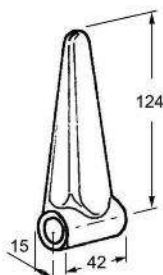
Cern. bombata media L= 110  
Raw medium hinge L=110  
(Kg.0,208)

Art. 31-00101

Perno D.13  
Raw pin D.13  
(Kg.0,112)

Art. 31-00102/C Cern. bombata pesante L=124 / Raw heavy hinge L=124

Art. 31-00102

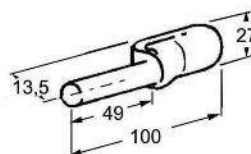
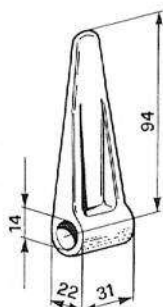
Cern. bombata pesante L=124  
Raw heavy hinge L=124  
(Kg.0,350)

Art. 31-00103

Perno D.15  
Raw pin D.15  
(Kg.0,168)

Art. 31-00104/C Cerniera piatta leggera L= 94 / Raw light flat hinge L= 94

Art. 31-00104

Cern. piatta leggera L= 94  
Raw light flat hinge L= 94  
(Kg.0,158)

Art. 31-00101

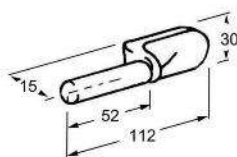
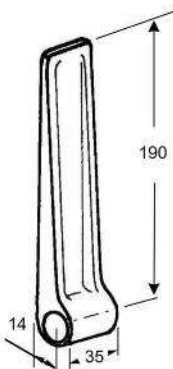
Perno D.13  
Raw pin D.13  
(Kg.0,112)

## Cerniere e perni per sponde in ferro

## Iron side board hinges and pins

Art. 31-00106/C Cerniera piatta media L=190 / Raw medium flat hinge L=190

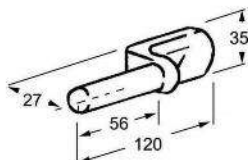
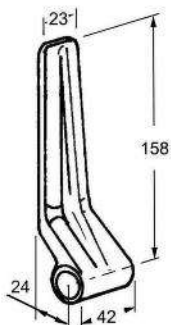
**Art. 31-00106**  
Cern.piatta media L=190  
Raw medium flat  
hinge L=190  
(Kg.0,610)



**Art. 31-00107**  
Perno D.15 / Raw pin D.15  
(Kg.0,280)

Art. 31-00108/C Cerniera tipo ROMA L=158 / Raw ROMA hinge L=158

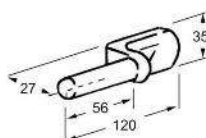
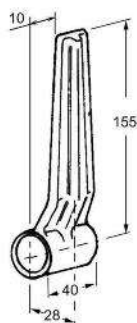
**Art. 31-00108**  
Cern.tipo ROMA L=158  
Raw Roma hinge L=158  
(Kg.0,453)



**Art. 31-00109**  
Perno D.17 / Raw pin D.17  
(Kg.0,283)

Art. 31-00110/C Cern. tipo SALERNO L=155 / Raw Salerno hinge L=155

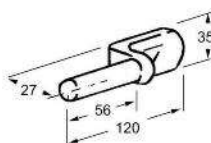
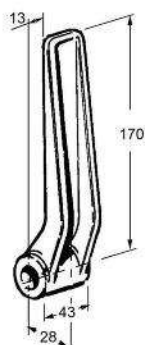
**Art. 31-00110**  
Cern.tipo SALERNO L=155  
Raw Salerno hinge L=155  
(Kg.0,391)



**Art. 31-00109**  
Perno D.17 / Raw pin D.17  
(Kg.0,283)

Art. 31-00132/C Kit cerniera curva L=170 / Kit curved hinge L=170

**Art. 31-00132**  
Cerniera curva L=170  
Curved hinge L=170  
(Kg.0,638)



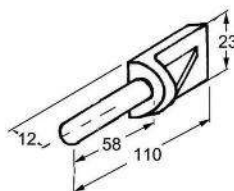
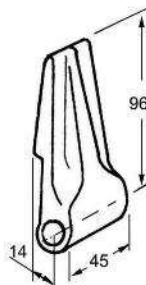
**Art. 31-00109**  
Perno D.17 / Raw pin D.17  
(Kg.0,283)

## Cerniere e perni per sponde in ferro

## Iron side board hinges and pins

Art. 31-00114/C Cern. con bordino pesante L=96 / Raw heavy hinge L=96

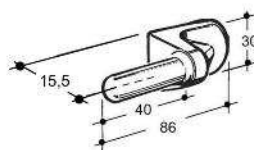
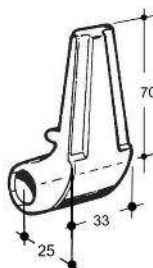
**Art. 31-00114**  
Cern. con bordino pesante L=96  
Raw heavy hinge L=96  
(Kg.0,363)



**Art. 31-00115**  
Perno D.13 / Raw pin D.13  
(Kg.0,147)

Art. 31-00133/C Kit cerniera a sgabello piccolo L=70 / Raw hinge L=70

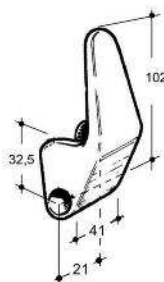
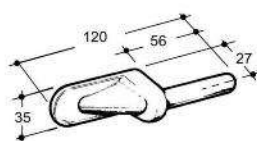
**Art. 31-00133**  
Cerniera a sgabello piccolo L=70  
Raw hinge L=70  
(Kg.0,208)



**Art. 31-00134**  
Perno D.13 / Raw pin D.13  
(Kg.0,154)

Art. 31-00195/C Kit cerniera a sgabello L=102 / Kit Raw hinge L=102

**Art. 31-00109**  
Perno D.17  
Raw pin D.17  
(Kg.0,283)

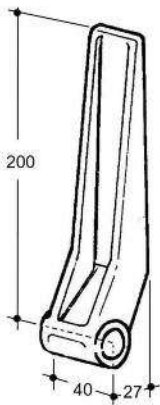


**Art. 31-00195**  
Cerniera a sgabello L=102  
Raw hinge L=102  
(Kg.0,425)

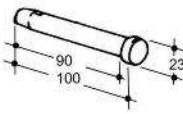
## Cerniere e perni per sponde in ferro

## Iron side board hinges and pins

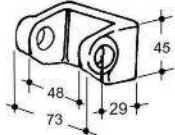
**Art. 31-00111/C Kit cerniera L=200 / Kit Hinge L=200**



**Art. 31-00111**  
Cern.L=200  
Hinge L=200  
(Kg.0,648)



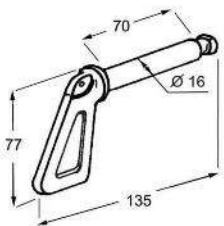
**Art. 31-00113F**  
Spinotto forato D.16  
Raw locking pin with hole



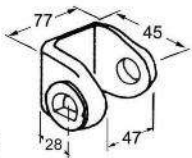
**Art. 31-00112**  
Supporto cerniera  
Raw support  
(Kg.0,267)

**Art. 31-00113FZ**  
Spinotto forato zinc.D.16  
Galv. locking pin with hole  
(Kg.0,151)  
*(A RICHIESTA / ON DEMAND)*

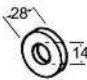
**Art. 31-00118/C Kit Maniglia stopped / Raw stopped handle**



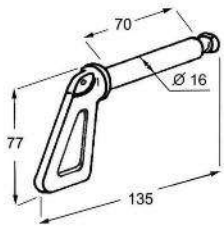
**Art. 31-00118**  
Maniglia stopped  
Raw stopped handle  
(Kg.0,240)



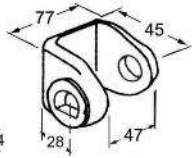
**Art. 31-00119**  
Supp.maniglia + rondella  
Raw support + washer  
(Kg.0,296)



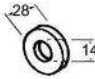
**Art. 31-00118/CZ Kit maniglia stopped zincata / Galv. raw stopped handle**



**Art. 31-00118Z**  
Maniglia stopped zincata  
Galv. Raw stopped handle  
(Kg.0,240)



**Art. 31-00119Z**  
Supp.maniglia + rondella zinc.  
Galv. Raw support + washer  
(Kg.0,296)

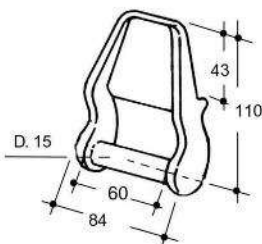


Cerniere per sponde in ferro a doppia aperturaIron side board hinges double opening

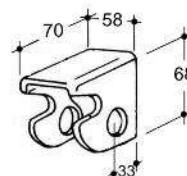
Art. 31-00180/C Kit cerniera doppia apertura L=110 / Kit double opening light hinge L=110



**Art. 31-00042**  
Paletta per cerniera  
Raw locking plate  
(Kg.0,100)

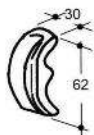


**Art. 31-00180**  
Cern.doppia apert. piccola L=110  
Double opening light hinge L=110  
(Kg.0,550)

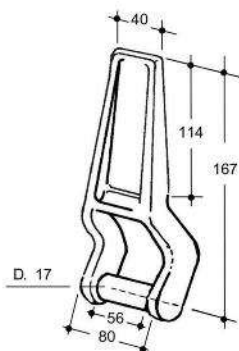


**Art. 31-00181**  
Supporto cerniera foro D.23  
Hinge support hole D.23  
(Kg.0,480)

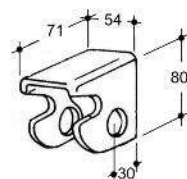
Art. 31-00183/C Kit cerniera doppia apertura grande L=167 / Kit double opening heavy hinge L=167



**Art. 31-00185**  
Paletta per cerniera  
Raw locking plate  
(Kg.0,198)

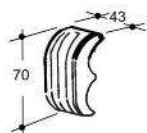


**Art. 31-00183**  
Cern.doppia apertura grande L=167  
Double opening heavy hinge L=167  
(Kg.0,925)

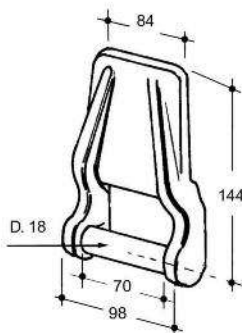


**Art. 31-00184**  
Supporto cerniera foro D.23  
Hinge support hole D.23  
(Kg.0,480)

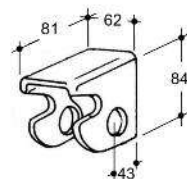
Art. 31-00186/C Kit cern. doppia apertura L=144 / Kit double opening hinge L=144



**Art. 31-00188**  
Paletta per cerniera  
Raw locking plate  
(Kg.0,246)



**Art. 31-00186**  
Cern. doppia apertura L=144  
Double opening hinge L=144  
(Kg.1,118)



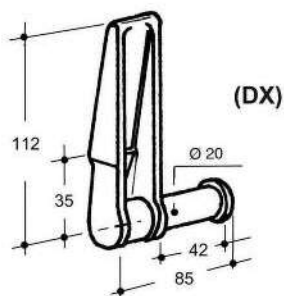
**Art. 31-00187**  
Supporto cerniera foro D.26  
Hinge support hole D.26  
(Kg.0,597)



## Cerniere per sponde in ferro a doppia apertura

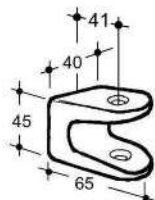
### Iron side board hinges double opening

Art. 31-00189/C Kit cern.posteriore Dx L=112 / *Kit rear right hinge L=112*  
 Art. 31-00190/C Kit cern.posteriore Sx L=112 / *Kit rear left hinge L=112*

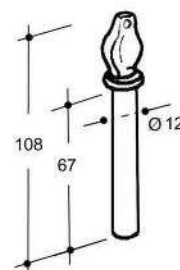


**Art. 31-00189**  
 Cerniera posteriore Dx L=112  
*Rear right hinge L=112*  
 (Kg.0,515)

**Art. 31-00190**  
 Cerniera posteriore SX L=112  
*Rear left hinge L=112*  
 (Kg.0,515)

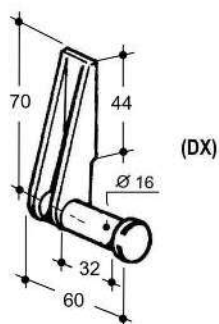


**Art. 31-00191**  
 Supporto cerniera  
*Hinge support*  
 (Kg.0,392)



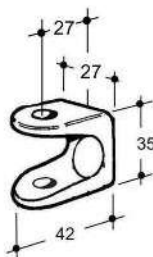
**Art. 31-00192**  
 Spinotto D.12  
*Raw locking pin D.12*  
 (Kg.0,108)

Art. 31-00197/C Kit cerniera post. Dx. piccola L=70 / *Kit rear light right hinge L=70*  
 Art. 31-00198/C Kit cerniera post. Sx. piccola L=70 / *Kit rear light left hinge L=70*

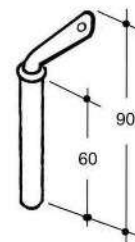


**Art. 31-00197**  
 Cern.posteriore Dx piccola L=70  
*Rear light right hinge L=70*  
 (Kg.0,195)

**Art. 31-00198**  
 Cern.posteriore Sx piccola L=70  
*Rear light left hinge L=70*  
 (Kg.0,195)

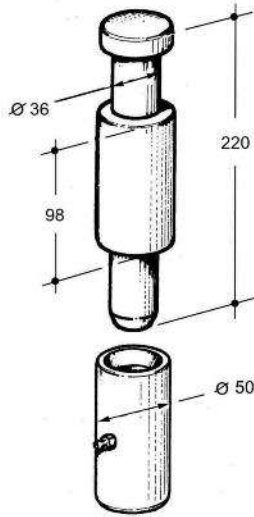


**Art. 31-00199**  
 Supporto cerniera  
*Hinge support*  
 (Kg.0,134)

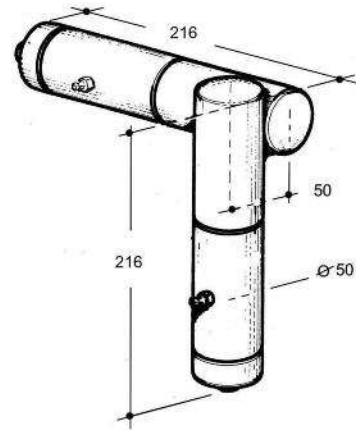


**Art. 31-00205**  
 Spina stampata D.9  
*Pin D.9*  
 (Kg.0,108)

**Art. 31-00200**  
 Spina tornita D.9  
*Pin D.9*  
 (Kg.0,108)  
**(A richiesta / On demand)**



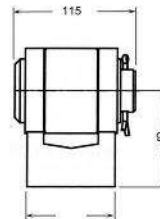
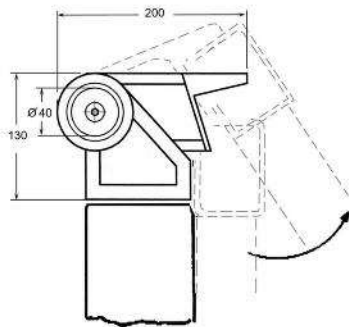
**Art. 31-00201** (Kg.3,200)  
Cerniera per apertura a libro D.36 inferiore  
*Rear door hinge - Down hinge*



**Art. 31-00202** (Kg.6,590)  
Cerniera per apertura a libro D.36 superiore  
*Rear door hinge - Upper hinge*

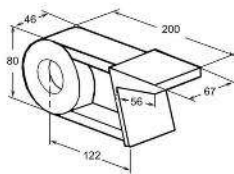
### Kit cern. per ribaltabili pesanti

### Kit heavy raw catches high door locks

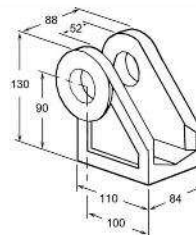


(Kg.8,500)

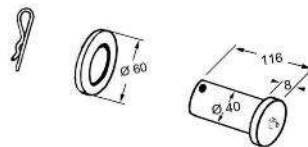
**Art. 31-00210** Kit cern.per ribaltabili pesanti *Kit heavy raw catches high door locks*



**Art. 31-00210/1** (Kg.3,850)  
Cerniera per ribaltabili pesanti  
*Raw heavy hinge*



**Art. 31-00210/2** (Kg.3,400)  
Supporto cern. per ribaltabili pesanti  
*Raw heavy support*



**Art. 31-00210/4**  
Coppiglia D.6 e rondella D.60 per perno D.40  
*Cotter pin D. 6 and washer D.60 for pin D.40*  
(Kg.0,080)

**Art. 31-00210/3**  
Perno D.40 per cern. ribaltabile pesante  
*Raw heavy pin D.40*  
(Kg.1,170)