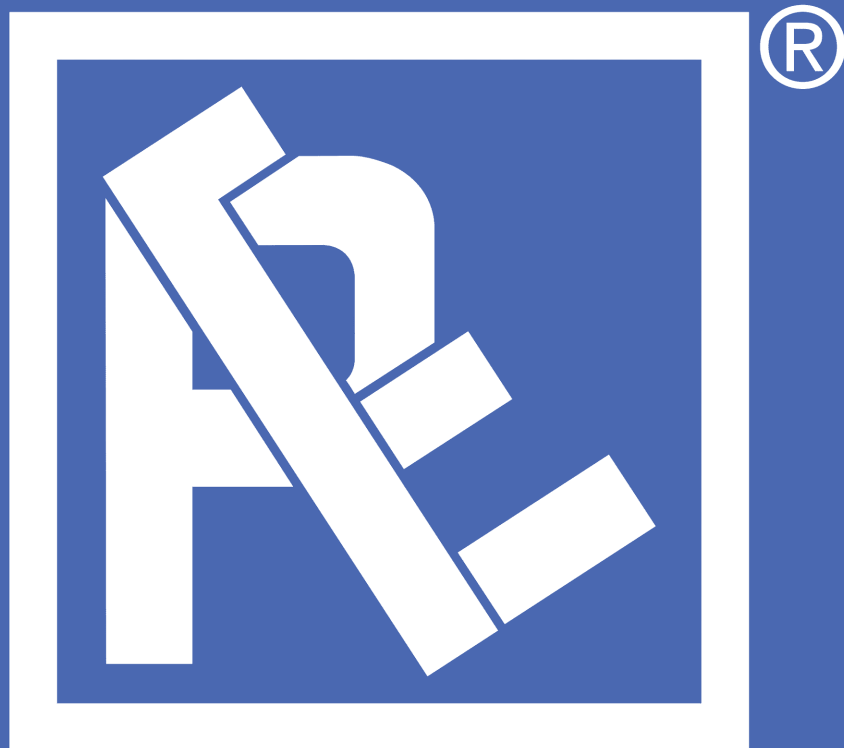


Profili per furgoni

*Aluminium
sections for vans*

21



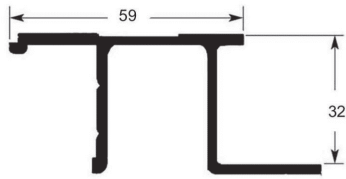
RE-ALL

PROFILI LEGA 6060-T6

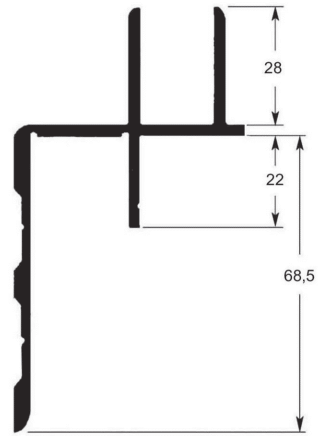
ROOF STRUCTURE ALLOY 6060-T6

PROFILI TETTO

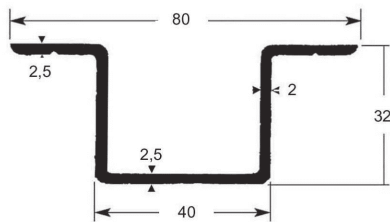
ROOF STRUCTURE



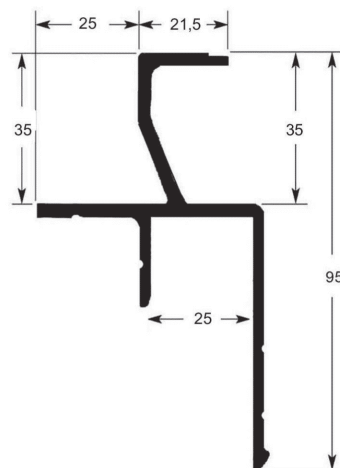
Art.	Lungh. Length	Kg/ml.
Contorno tetto	6000	
21-00002		0,967
Roof structure	7500	



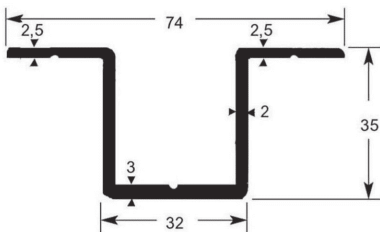
Art.	Lungh. Length	Kg/ml.
Superiore fiancata	6000	
21-00004		1,524
Roof structure	7500	



Art.	Lungh. Length	Kg/ml.
Centina per tetto		
21-00006	7500	0,863
Roof structure		



Art.	Lungh. Length	Kg/ml.
Contorno tetto e superiore fiancata		
21-00008	7500	1,874
Roof structure		



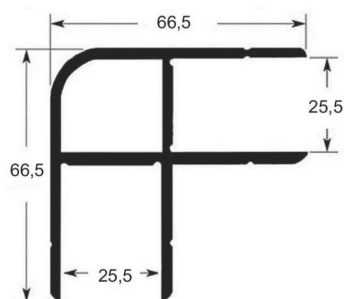
Art.	Lungh. Length	Kg/ml.
Centina per tetto		
21-00010	7500	0,872
Roof structure		

PROFILI LEGA 6060-T6

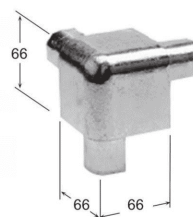
ROOF STRUCTURE ALLOY 6060-T6

CANTONALI

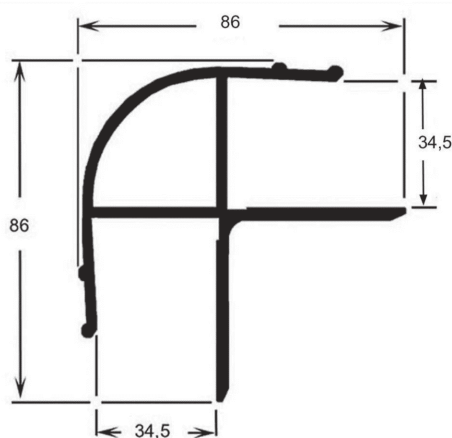
CORNER



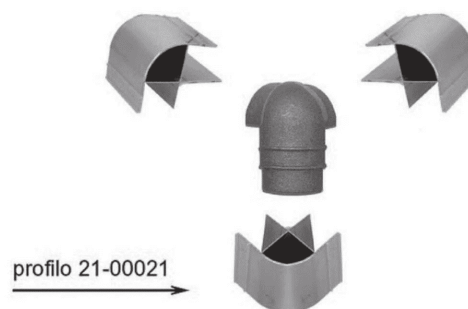
Art.	Lungh. Length	Kg/ml.
Cantonale 66,5 x 66,5	6000	
21-00020		1,958
Corner 66,5 x 66,5	7500	



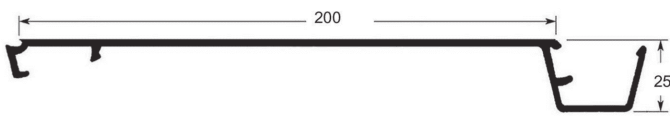
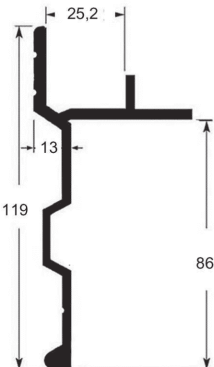
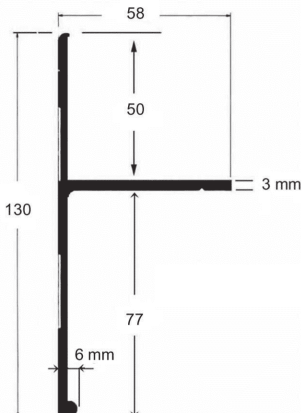
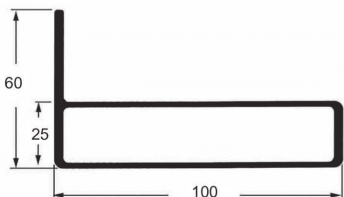
Art.		Kg.
Cantonale superiore per furgoni per prof. 21-00020		
39-00129/N		0,186
Superior corner for profile 21-00020		



Art.	Lungh. Length	Kg/ml.
Cantonale 86x86		
21-00021		1,404
Corner 86x86	7500	



Art.		Kg.
Cantonale superiore per profilo 21-00021		
39-00125		0,330
Superior corner for profile 21-00021		

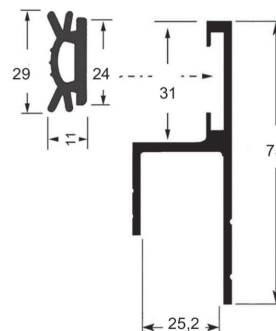
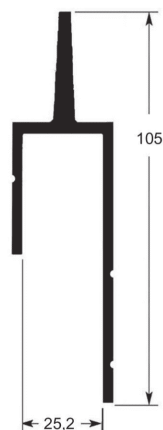
PROFILI LEGA 6060 - T6		ROOF STRUCTURE ALLOY 6060 - T6		
S N A P		Art.	Lungh. Length	Kg/ml.
	Profilo "SNAP" per fiancata furgoni			
	21-00014	7500	1,490	
	<i>Profile "SNAP" for the side of the van</i>			
	Longherina per "SNAP"			
	21-00023	7500	1,577	
	<i>Profile for "SNAP"</i>			
Profili per furgoni	Profiles for van	Art.	Lungh. Length	Kg/ml.
	Longherina per furgone in plastica			
	21-00025	7500	1,390	
	<i>Profile for van plastic</i>			
	Reggi mensola	4080		
	21-00027	7500	1,180	
	<i>Profile for shelf</i>			

PROFILI LEGA 6060 - T6

ROOF STRUCTURE ALLOY 6060 - T6

Art. 49-00031Guarnizione per profilo 21-00028
Seal for profile 21-00028

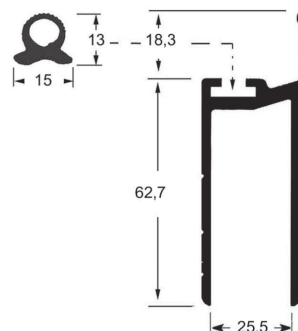
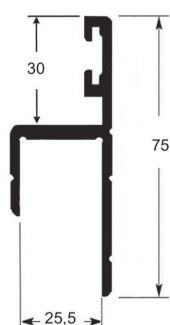
(rotolo/roll 50 mt.) (Kg.mt.0,193)



Art.	Lungh. Length	Kg/ml.	Art.	Lungh. Length	Kg/ml.
Profilo verticale battente sx	6000		Contorno porta		
21-00026		1,168	21-00028		0,879
Profile for outline door (left side)	7500		Profile for outline door	7500	

Art. 49-00032Guarnizione per profilo 21-00030
Seal for profile 21-00030

(rotolo/roll 50 mt.) (Kg.mt.0,089)



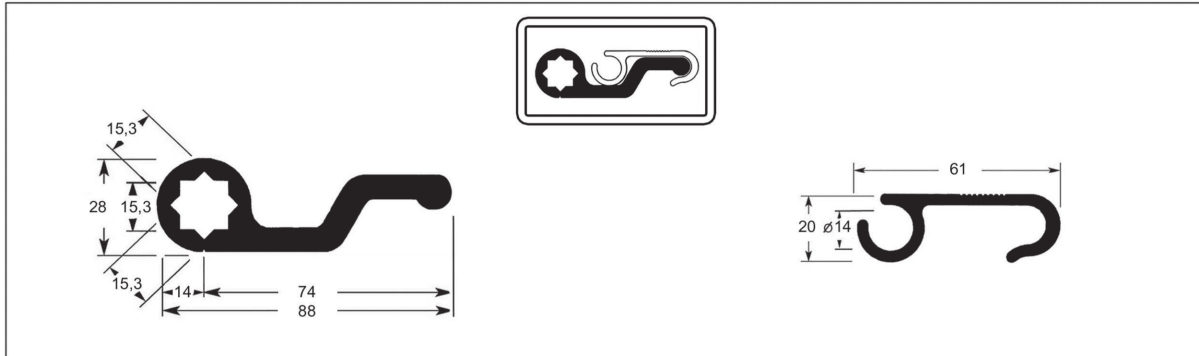
Art.	Lungh. Length	Kg/ml.	Art.	Lungh. Length	Kg/ml.
Contorno porta slim			Contorno porta		
21-00029	7500	1,107	21-00030	7500	1,242
Profile for outline slim-door			Profile for outline door		

PROFILI LEGA 6060 - T6

ROOF STRUCTURE ALLOY 6060 - T6

PROFILI TENDI TELONE

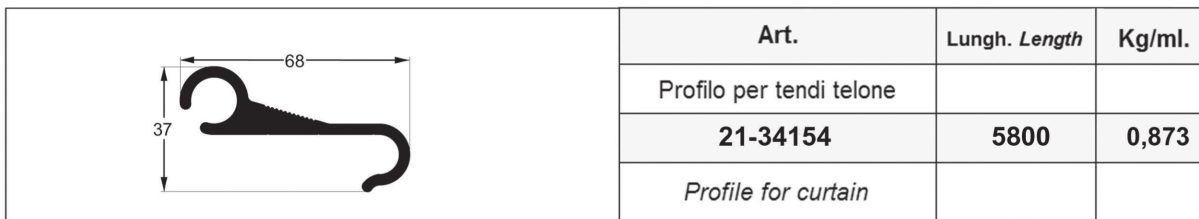
PROFILE FOR CURTAIN



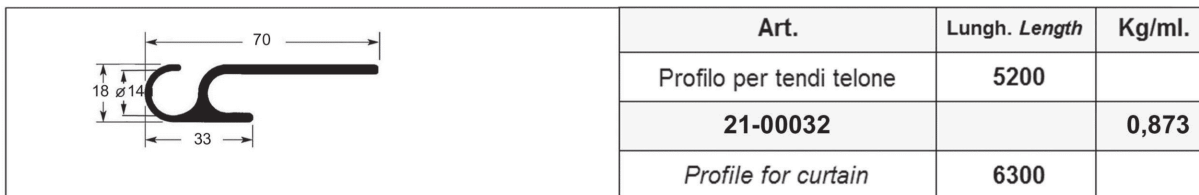
Art.	Lungh. Length	Kg/ml.	Art.	Lungh. Length	Kg/ml.
Leva tendi telone	5200		Profilo per tendi telone	5200	
21-00031		2,421	21-00033		0,953
Profile for curtain	6300		Profile for curtain	6300	



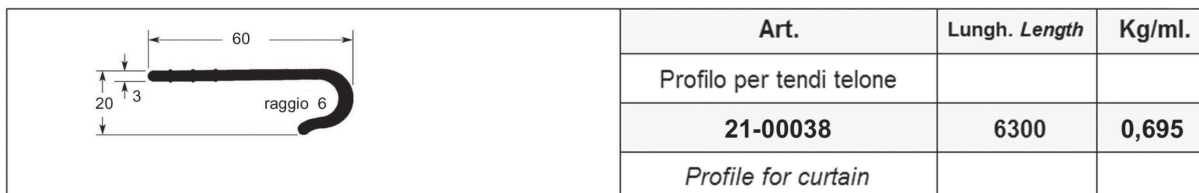
Art.	Lungh. Length	Kg/ml.	Art.	Lungh. Length	Kg/ml.
Leva tendi telone			Profilo per tendi telone		
21-00034	7500	2,200	21-00035	7500	1,007
Profile for curtain			Profile for curtain		



Art.	Lungh. Length	Kg/ml.
Profilo per tendi telone		
21-34154	5800	0,873
Profile for curtain		



Art.	Lungh. Length	Kg/ml.
Profilo per tendi telone	5200	
21-00032		0,873
Profile for curtain	6300	



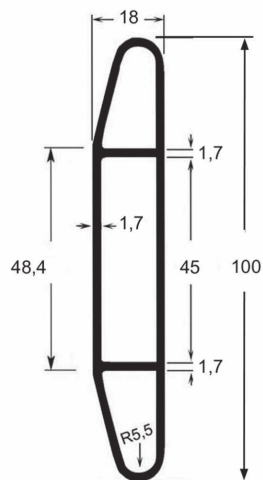
Art.	Lungh. Length	Kg/ml.
Profilo per tendi telone		
21-00038	6300	0,695
Profile for curtain		

PROFILI LEGA 6060 - T6

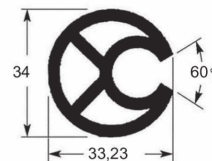
ROOF STRUCTURE ALLOY 6060 - T6

PROFILI TENDI TELONE

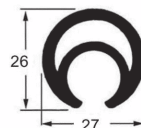
PROFILE FOR CURTAIN



Art.	Lungh. Length	Kg/ml.
Profilo per teloni		
21-00048	6000	1,097
<i>Profile for curtain</i>		



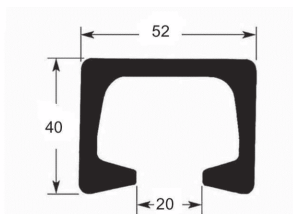
Art.	Lungh. Length	Kg/ml.
Avvolgitore tendi telone		
21-00045	6300	1,141
<i>Profile for curtain</i>		



Art.	Lungh. Length	Kg/ml.
Avvolgitore tendi telone		
21-00047	6300	0,707
<i>Profile for curtain</i>		

PROFILO GUIDOVIA

GUIDEWAY PROFILE



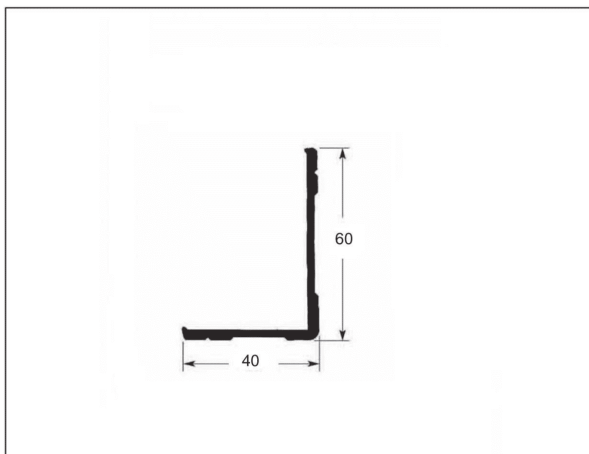
Art.	Lungh. Length	Kg/ml.
Guidovia a " C "		
21-00046	7500	2,136
<i>Guideway profile in aluminium to " C "</i>		

PROFILI LEGA 6060 - T6

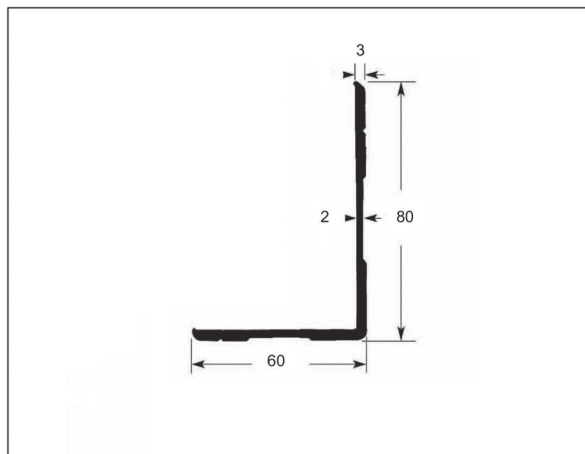
ROOF STRUCTURE ALLOY 6060 - T6

ANGOLARI DI CONTORNO

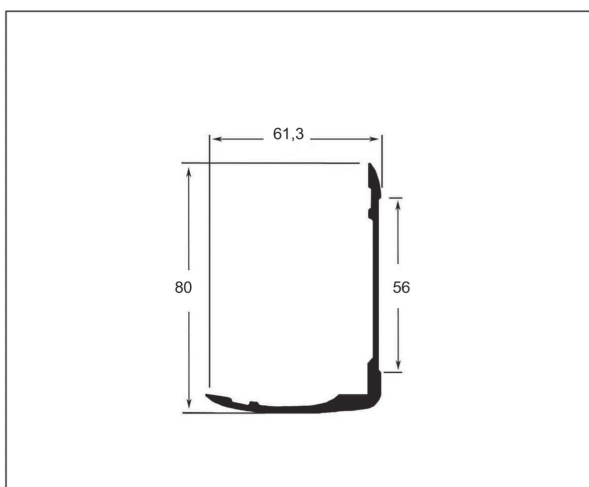
CORNER



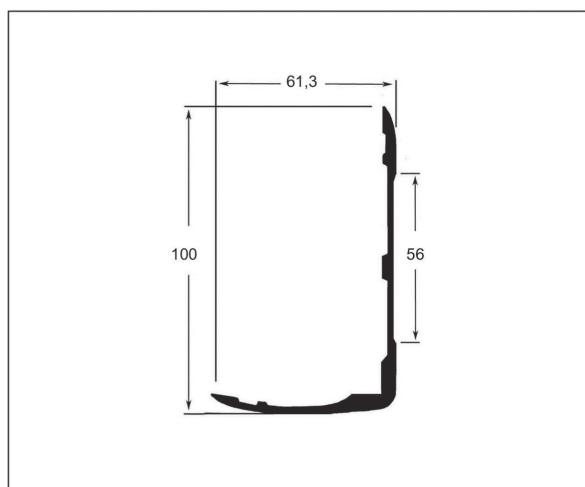
Art.	Lungh. Length	Kg/ml.
21-00039	7500	0,645



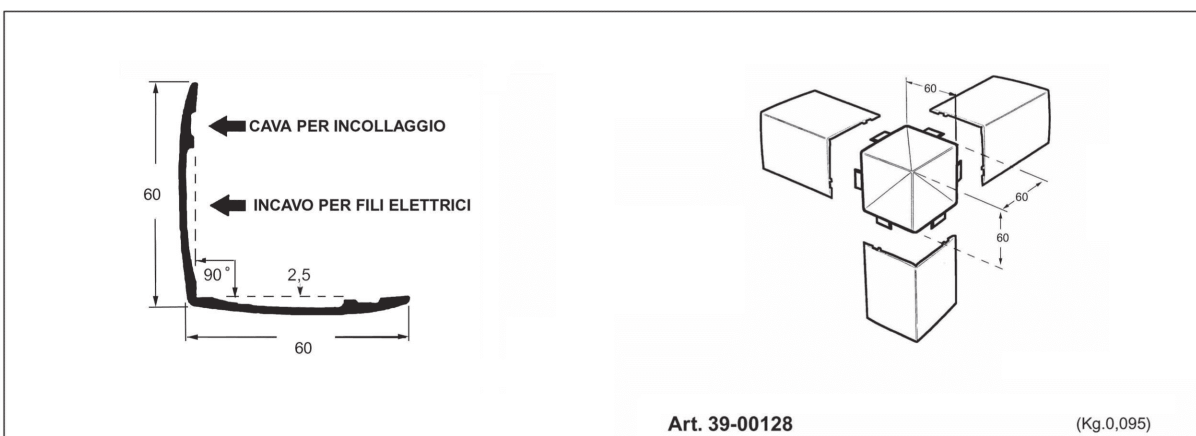
Art.	Lungh. Length	Kg/ml.
21-00040	7500	0,965



Art.	Lungh. Length	Kg/ml.
21-00050	7500	0,945



Art.	Lungh. Length	Kg/ml.
21-00051	7500	1,115



Art.	Lungh. Length	Kg/ml.
21-00043	7500	0,600

Art. 39-00128 (Kg.0,095)
 Cantonale superiore per furgoni isothermico per profilo 21-00043
 Higher corner for isothermic van for profile 21-00043

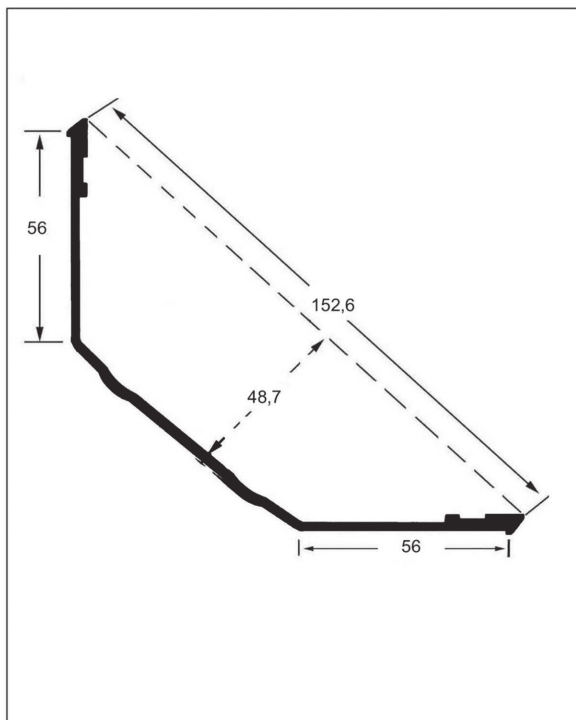
ALUMINIUM SECTIONS FOR VANS

PROFILI LEGA 6060 - T6

ROOF STRUCTURE ALLOY 6060 - T6

CANTONALE ALL.

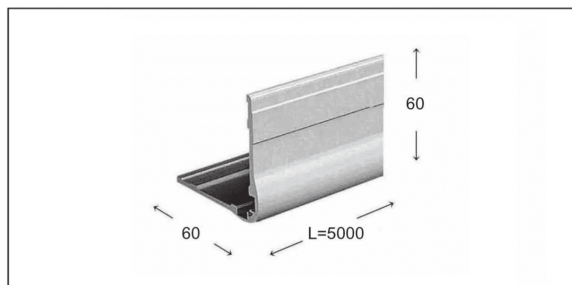
ALL.CORNER



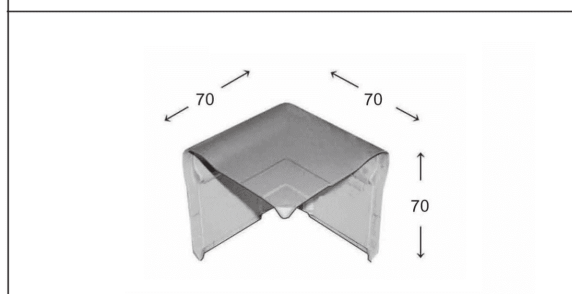
Art.	Lungh. Length	Kg/ml.
Cantonale		
21-00054	6000	1,058
Corner		

CANTONALE PVC

PVC CORNER



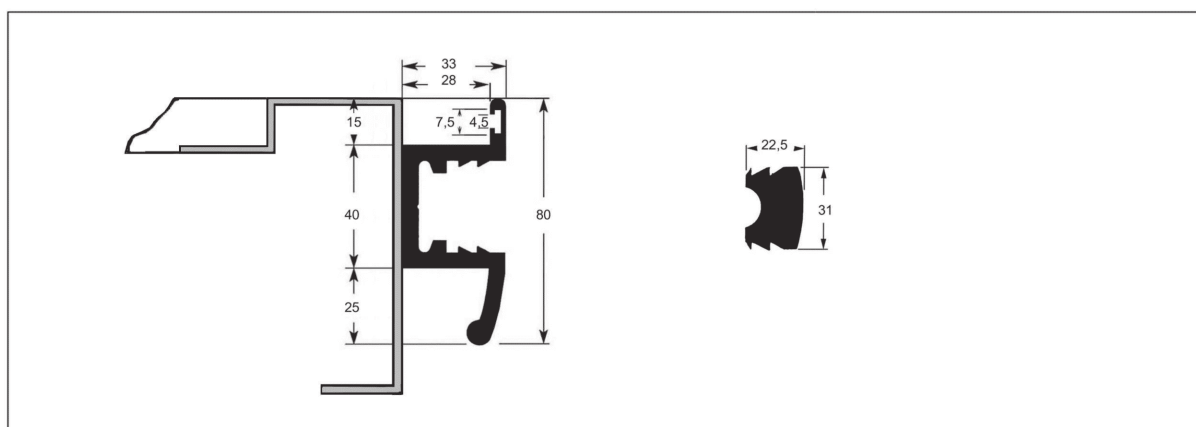
Art. 49-00110 (Kg.a barra 2,570)
Cantonale in pvc bianco L=5000
White pvc corner L=5000



Art. 49-00112 (Kg.0,062)
Blocco d'angolo in pvc bianco
per art. 49-00110
Higher white pvc corner
for art.49-00110

PROFILI LEGA 6060 - T6

ROOF STRUCTURE ALLOY 6060 - T6



Art.	Lungh. Length	Kg/ml.
Laterale per centina tipo Francia	6800	
21-00041		2,070
Profile for curtain	7500	

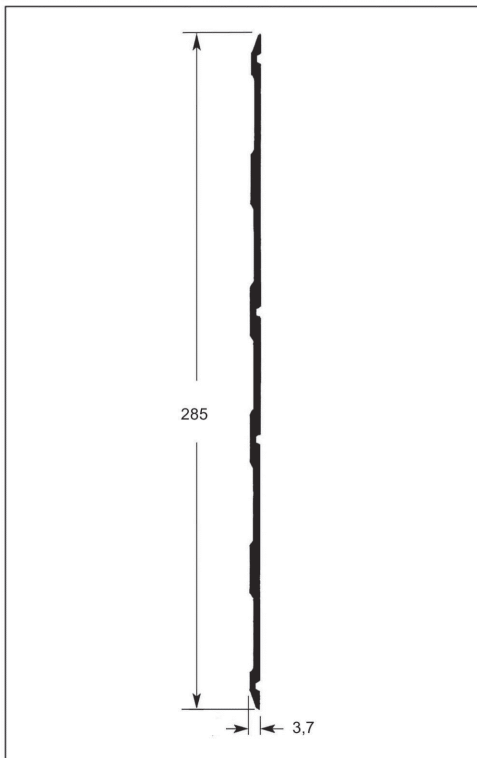
Art.		Kg/mt
Guarnizione per profilo 21-00041	Rotolo 28 mt.	
49-00043		0,810
Seal for profile 21-00041	Roll 28 mt.	

PROFILI LEGA 6060 - T6

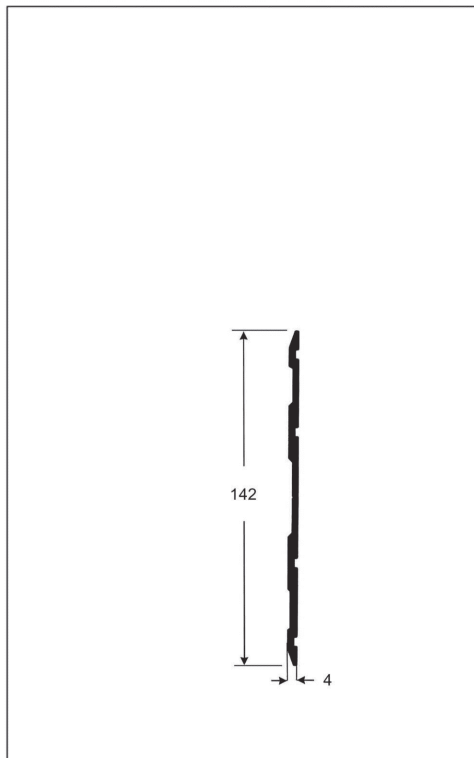
ROOF STRUCTURE ALLOY 6060 - T6

BATTISCOPIA

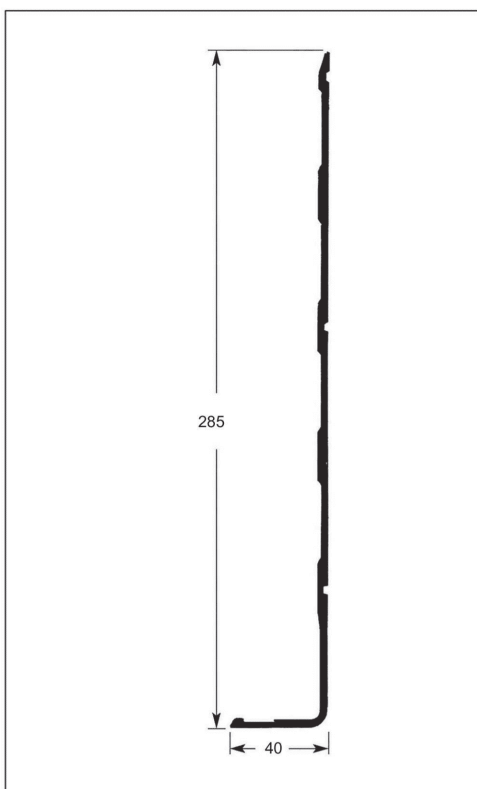
BASEBOARD



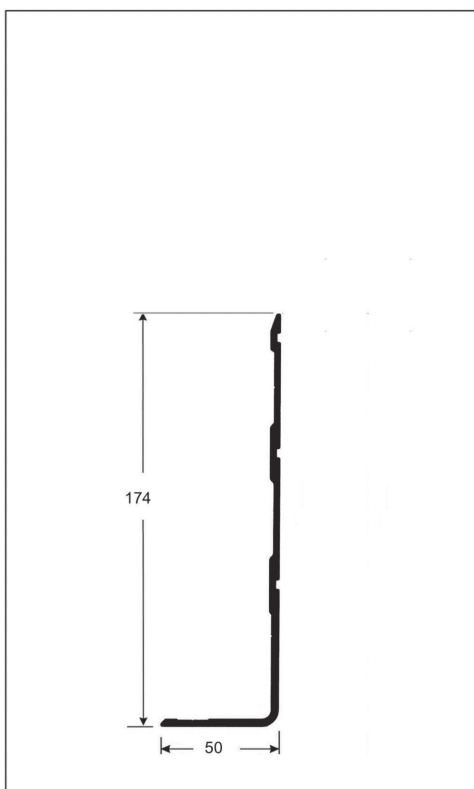
Art.	Lungh. Length	Kg/ml.
21-00042	6700	2,305
	7500	



Art.	Lungh. Length	Kg/ml.
21-00055	6700	1,157
	7500	



Art.	Lungh. Length	Kg/ml.
21-00044	6700	2,738
	7500	



Art.	Lungh. Length	Kg/ml.
21-00056	7500	1,724

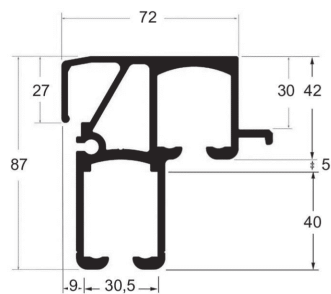
ALUMINIUM SECTIONS FOR VANS

PROFILI LEGA 6005 - T6

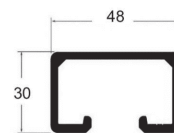
ROOF STRUCTURE ALLOY 6005 - T6

PROFILI PER CENTINATURE

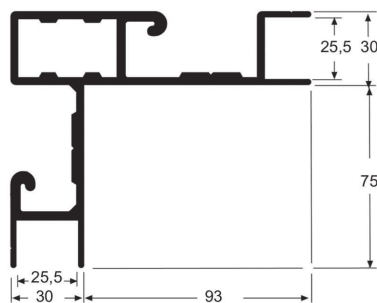
PROFILES FOR CURTAIN



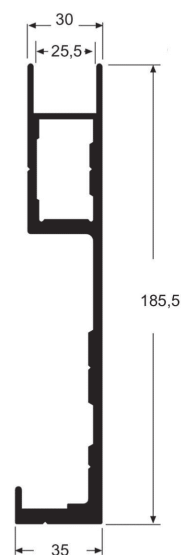
Art.	Lungh. Length	Kg/ml.
Tegolone per centina (21-00060)	4600	
21-00058		3,454
Aluminium profiles for roof (21-00060)	6000	



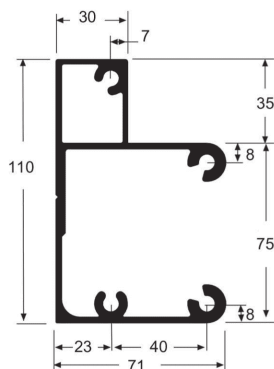
Art.	Lungh. Length	Kg/ml.
Centina per tegolone (21-00058)	6300	
21-00060		0,938
Profile curtain for (21-00058)	7250	



Art.	Lungh. Length	Kg/ml.
Cantonale anteriore per centinatura		
21-00062	5500	3,981
Corner front for profile curtain		



Art.	Lungh. Length	Kg/ml.
Cantonale posteriore per centinatura		
21-00064	5500	3,782
Corner rear for profile curtain		



Art.	Lungh. Length	Kg/ml.
Sovra porta per centinatura		
21-00066	6600	3,188
Above the door for profile curtain		