

**Accessori per cassoni
fissi e ribaltabili**

***Accessories for
tippers and fixed
bodies***

33

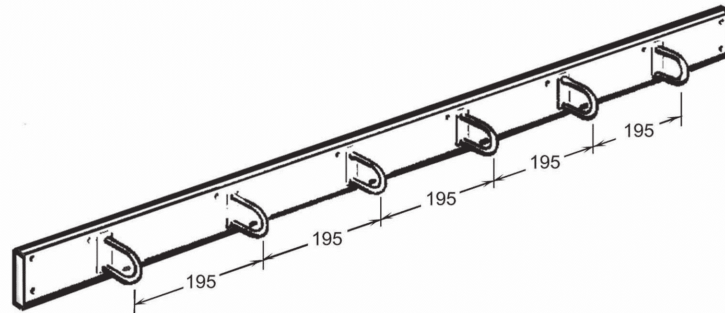


RE-ALL

Bandelle TIR

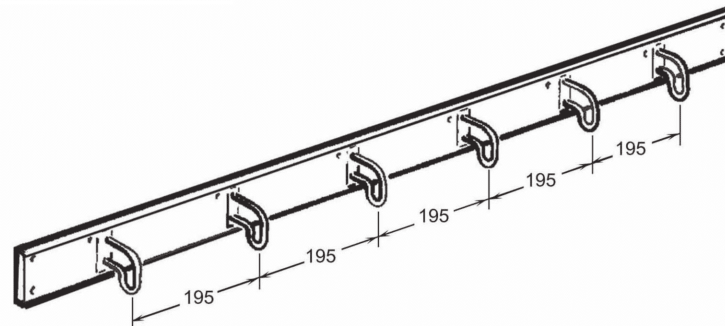
Bars with offset lashing rings

A richiesta / On demand



Art.	Bandella TIR "tipo Normale" / Bar with offset lashing rings "Normal type"	L	Kg.
33-00003	Tir alluminio anodizzata "tipo normale" / Anodized aluminium "normal type"	2500	0,595
33-00004	Tir alluminio anodizzata "tipo normale" / Anodized aluminium "normal type"	2900	0,690
33-00073	Tir alluminio anodizzata "tipo normale" / Anodized aluminium "normal type"	3150	0,758
33-00063	Tir zincata "tipo normale" / Galvanized "normal type"	2500	2,171
33-00064	Tir zincata "tipo normale" / Galvanized "normal type"	2900	2,520
33-00071	Tir zincata "tipo normale" / Galvanized "normal type"	3150	2,736

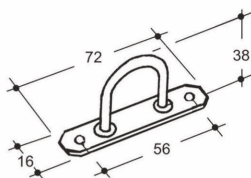
A richiesta / On demand



Art.	Bandella TIR tipo "francese" / Bar with offset lashing rings "French type"	L	Kg.
33-00001	Tir alluminio anodizzata "tipo Francese" / Anodized aluminium "French type"	2500	0,543
33-00002	Tir alluminio anodizzata "tipo Francese" / Anodized aluminium "French type"	2900	0,630
33-00072	Tir alluminio anodizzata "tipo Francese" / Anodized aluminium "French type"	3150	0,684
33-00061	Tir zincata "tipo Francese" / Galvanized "French type"	2500	1,902
33-00062	Tir zincata "tipo Francese" / Galvanized "French type"	2900	2,207
33-00070	Tir zincata "tipo Francese" / Galvanized "French type"	3150	2,397

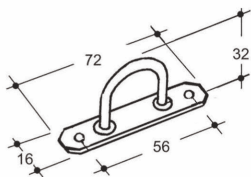
Occhiello

Lashing ring

**Art. 33-00006**

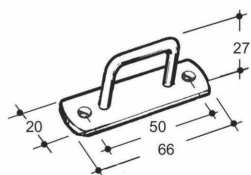
(Kg.0,035)

Occhiello fisso su piastra rettang.H.38-int.56 zincato
Lashing ring H.38 with rectangular plate int.56 galv.

**Art. 33-00087**

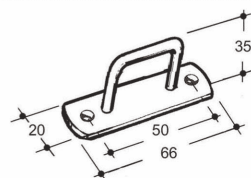
(Kg.0,032)

Occhiello fisso su piastra rettang.H.32-int.56 zincato
Lashing ring H.32 with rectangular plate int.56 galv.

**Art. 33-00009**

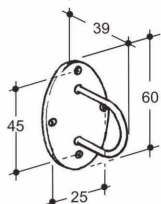
(Kg.0,032)

Occhiello fisso su piastra rettang.H.27-int.50 zincato
Rectangular lashing ring galvanized H=27

**Art. 33-00044**

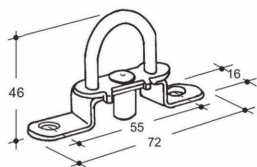
(Kg.0,033)

Occhiello fisso su piastra rettang.H.35-int.50 zincato
Rectangular lashing ring galvanized H=35

**Art. 33-00005**

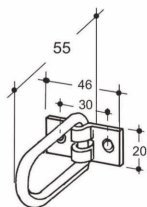
(Kg.0,036)

Occhiello fisso su piastra ovale H.39
Half round lashing ring H=39

**Art. 33-00010**

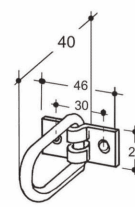
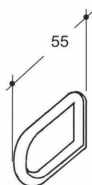
(Kg.0,046)

Occhiello girevole Torniquet H.46 zincato
Offset lashing ring galv. Torniquet H.46

**Art. 33-00007/SP**

(Kg.0,030)

Occhiello girevole senza piastra H.55 zincato
Offset lashing ring galv. without plate H=55

**Art. 33-00008**

(Kg.0,027)

Occhiello girevole H.40 zincato
Offset lashing ring galvanized H=40

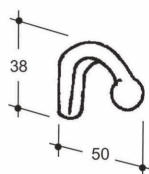
Art. 33-00007

(Kg.0,043)

Occhiello girevole H.55 zincato
Offset lashing ring galvanized H=55

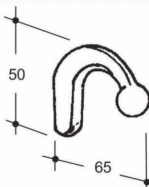
Tendifune

Rope guide



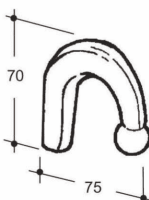
Art. 33-00015
Tendi fune leggero D.11
Light weight rope guide
(Kg.0,068)

Art. 33-00015/I
Tendi fune leggero inox D.11
S.steel light weight rope guide
(Kg.0,055)



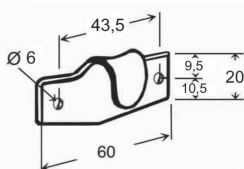
Art. 33-00016
Tendi fune pesante D.13
Heavy weight rope guide

(Kg.0,125)



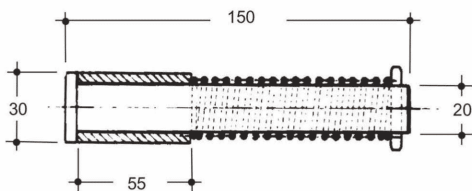
Art. 33-00017
Tendi fune pesantissimo D.18
Very heavy weight rope guide

(Kg.0,250)



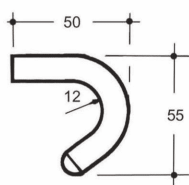
Art. 33-00014
Tendi fune in lamiera zincata
Galvanized rope guide

(Kg.0,035)



Art. 33-00036
Perno tendifune con molla e arresto
Tensioner bolt with spring and stop

(Kg.0,533)



Art. 33-00035
Tendifune in alluminio D.12
Aluminium rope guide

(Kg.0,028)



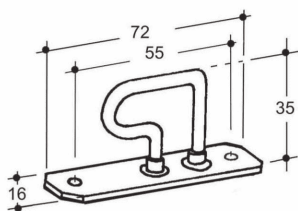
Art. 33-00037
Tendifune stampato D.8
Cold moulded rope guide
(Kg.0,036)

Art. 33-00038
Tendifune stampato D.10
Cold moulded rope guide
(Kg.0,060)

Art.33-00039
Tendifune stampato D.13
Cold moulded rope guide
(Kg.0,103)

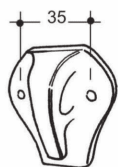
G A N C I

HOOKS

**Art. 33-00011**

(Kg.0,038)

Gancio Tir su piastra rettangolare H.35
 Hook with plate H.35

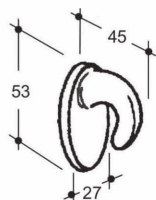
**Art. 33-00012**

Gancio Cobra in nylon bianco
 Nylon white Kobra rope guide

Art. 33-00012/N

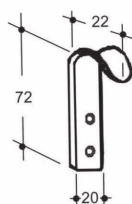
(Kg.0,012)

Gancio Cobra in nylon nero
 Nylon black Kobra rope guide

**Art. 33-00018**

(Kg.0,145)

Gancio attacco catena su piastra ovale
 Hook for chain on oval plate

**Art. 33-00013**

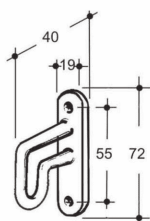
(Kg.0,031)

Gancio fune acciaio/zinc.
 Rope hook galvanized steel

**Art. 33-00048**

(Kg.0,006)

Gancio nylon per sponde alluminio
 Nylon hook for aluminium side board

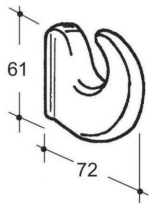
**Art. 33-00080**

(Kg.0,009)

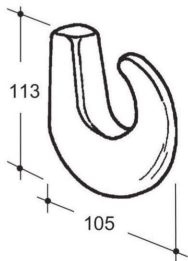
Gancio tipo francese in nylon
 Nylon hook

GANCI

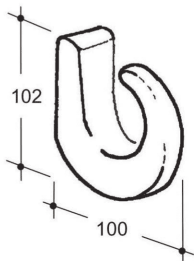
HOOKS



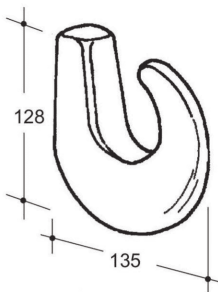
Art. 33-00019 (Kg.0,414)
 Gancio traino D.28
 Towing hook D.28



Art. 33-00021 (Kg.0,913)
 Gancio traino D.48
 Towing hook D.48



Art. 33-00020 (Kg.0,950)
 Gancio traino D.38
 Towing hook D.38

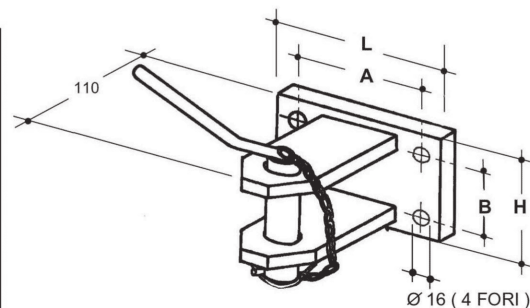


Art. 33-00000 (Kg.1,855)
 Gancio traino D.58
 Towing hook D.58

Gancio traino

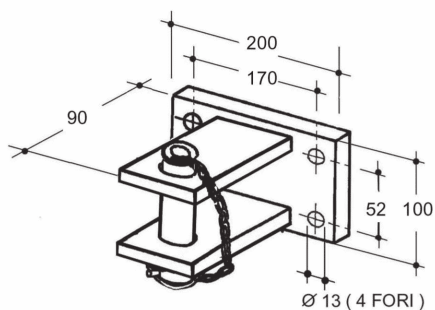
Towing hook

Gancio traino tipo "Lamborghini"					
Towing hook "Lamborghini" type					
Art.	piastra / plate		Int.		Kg.
	L	H	A	B	
33-00022	160	100	120	60	4,320
33-00022/S	200	120	140	80	5,300
33-00022/SC	200	140	160	100	5,740



Gancio traino

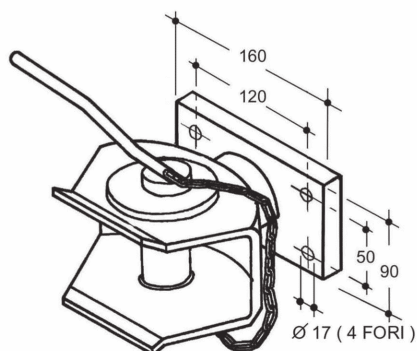
Towing hook



Art. 33-00049

(Kg.2,590)

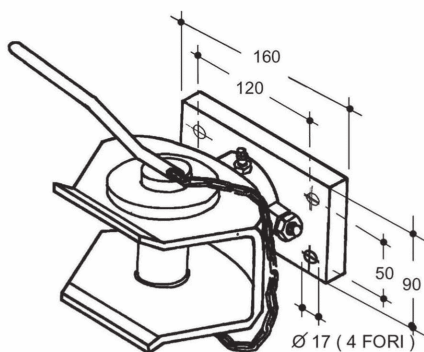
Gancio traino tipo "Daily" piastra 200X100 interasse 170X52
 Towing hook "Daily" type with plate 200X100 interaxis 170x52



Art. 33-00023

(Kg.6,016)

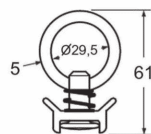
Gancio traino "Lupo fisso" piastra 160x90 interasse 120x50
 Towing hook "Lupo type" with plate 160x90 interaxis 120x50



Art. 33-00024

(Kg.6,830)

Gancio traino "Lupo girevole" piastra 160x90 interasse 120x50
 Turning towing hook "Lupo type" with plate 160x90 interaxis 120x50



Art. 33-00091

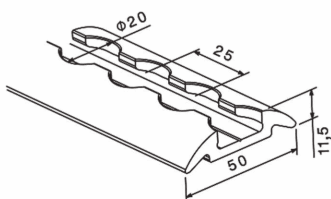
(Kg.0,045)

Gancio di ancoraggio Anchor hook

Art. 33-00098

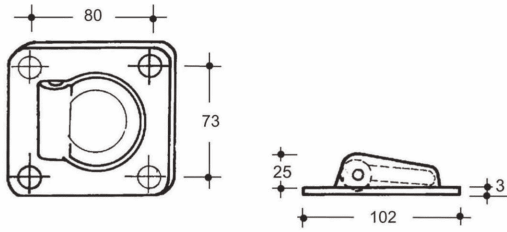
(Kg.1,550)

Profilo aggancio esterno alluminio grezzo L=2000 (per gancio art. 33-00091)
 Cargo restraint profiles in raw aluminium (for hook art.33-00091)



Anelli ferma carico

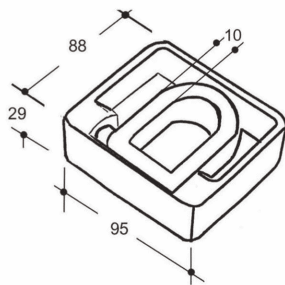
Lashing rings



Art. 33-00025 (Kg.0,460)

Anello a scomparsa acciaio zincato
Galvanized recessed lashing ring

(carico di rottura Kg. 1000) (Breaking test load 1000 Kg.)

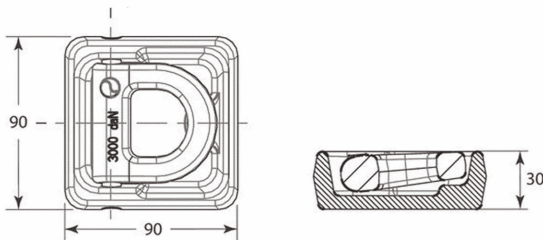


Art. 33-00034 (nero) (Kg.0,880)

Art. 33-00034/Z (zinc./galv.)

Anello a scomparsa forgiato
Forged recessed lashing ring

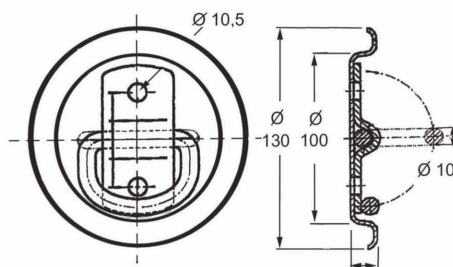
(carico di rottura Kg. 2500) (Breaking test load 2500 Kg.)



Art. 33-00034/P (Kg.1,185)

Anello a scomparsa forgiato (grezzo)
Forged recessed lashing ring (noir)

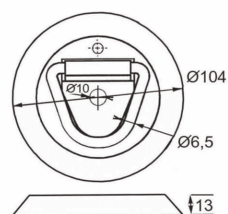
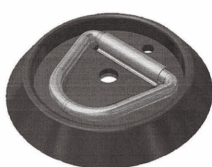
(carico di rottura Kg.3000) (Breaking test load 3000 Kg.)



Art. 33-00088 (Kg.0,400)

Anello a scomparsa tondo zincato
Galvanized recessed lashing ring

(carico di rottura Kg. 800) (Breaking test load 800 Kg.)



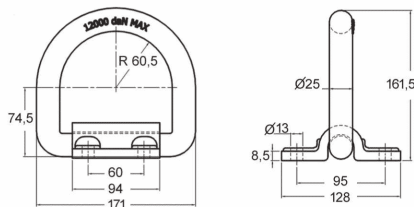
Art. 33-00090 (Kg.0,100)

Anello ferma carico incassato zincato con base PVC
Galvanized recessed lashing ring with PVC support

(carico di rottura Kg. 500) (Breaking test load 500 Kg.)

Anelli ferma carico

Lashing rings

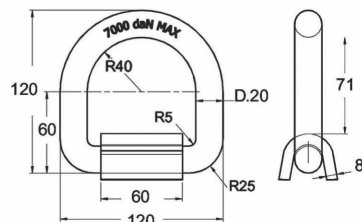
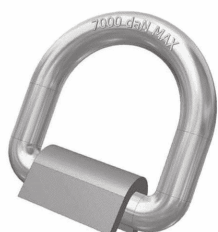


Art. 33-00075 (Kg. 2,900)

Anello ferma carico zincato da
imbullonare

*Galvanized lashing ring with support
with holes*

(carico di rottura Kg.12000) (Breaking test load only for ring 12000 Kg.) (UNI EN 12640 - DIN 75410-1)

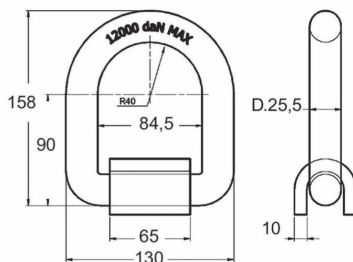


Art. 33-00092 (Kg. 1,200)

Anello ferma carico grezzo
con fermo a saldare

Raw light ring with raw support welded

(carico di rottura Kg.7000) (Breaking test load only for ring 7000 Kg.) (UNI EN 12640 - DIN 75410-1)

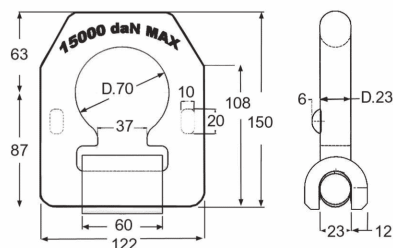


Art. 33-00086 (Kg. 2,150)

Anello ferma carico grezzo
con fermo a saldare

Raw lashing ring with raw support welded

(carico di rottura Kg.12000) (Breaking test load only for ring 12000 kg.) (UNI EN 12640 - DIN 75410-1)



Art. 33-00074 (Kg. 2,400)

Anello ferma carico grezzo
con fermo a saldare

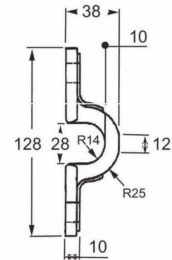
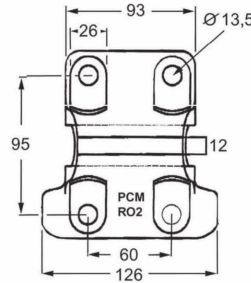
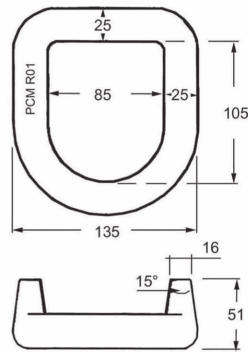
Raw lashing ring with raw support welded

(carico di rottura Kg.15000)
(Breaking test load only for ring 15000 kg.)

(UNI EN 12640 - DIN 75410-1) (UNI EN 29367)

Anelli ferma carico

Lashing rings



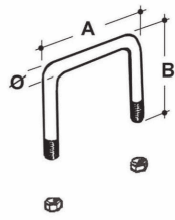
Art. 33-00089

(Kg.3,050)

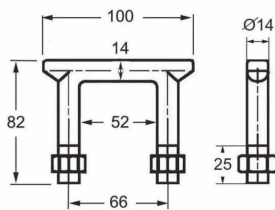
Gancio di ancoraggio giallo marchiato RINA con supporto zinc (norma punto 5 della risoluzione IMO A.581 (14))
 Yellow anchor hook marked RINA with galvanized support (p.5 - IMO A.581 (14))

Cavallotti ferma carico

Lashing rings



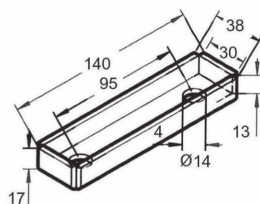
Art.		D	A	B	Kg.
33-00094	Cavallotto fermacarico zinc. c/dadi zinc.1,75 x 12MA (31-00047) Galv. Lashing ring with galv. Nuts (31-00047)	11	105	90	0,220
33-00095	Cavallotto fermacarico inox c/dadi zinc.1,25 x 12MA (31-00093) Galv. Lashing ring with galv. Nuts (31-00093)	11	105	90	0,220
33-00096	Cavallotto fermacarico zinc. c/dadi zinc.1,50 x 10MA (31-00054) Galv. Lashing ring with galv. Nuts (31-00054)	9	80	55	0,110



Art. 33-00097

(Kg.0,330)

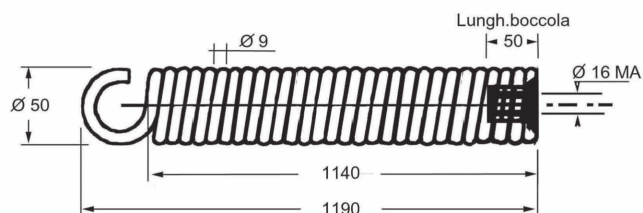
Cavallotto fermacarico stampato zincato c/dadi zincati
 Forged lashing ring with galvanized nuts



Art. 33-00093

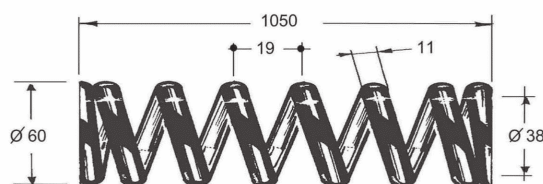
(Kg.0,250)

Scodellino grezzo per cavallotto
 Raw plate for lashing ring

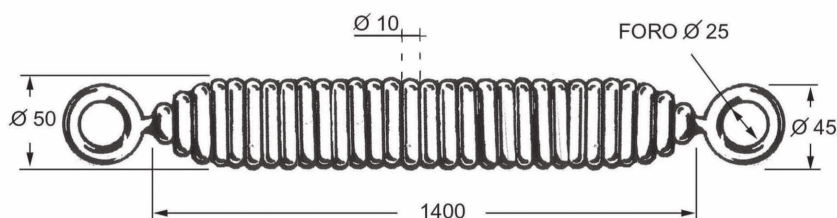
Molle per sportello posteriore bestiame***Springs for rear door for animal transport*****Art. 33-00030**

(Kg.8,500)

Molla zincata trazione c/boccola MA16 filettata saldata D.50 L= 1190

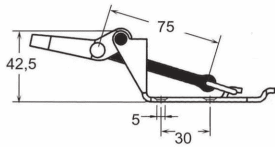
Galvanized spring for rear door for animal transport with bush threaded D.50 L=1190**Art. 33-00043**

(Kg.6,440)

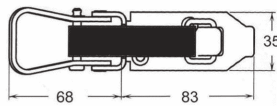
Molla per sportello posteriore bestiame D.60 L1050 / *Spring for rear door for animal transport D.60 L1050***Art. 33-00043/B**

(Kg.11,500)

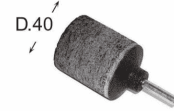
Molla zinc. per sportello bestiame D.50 L1400 / *Galv. spring for rear door for animal transport D.50 L1400*



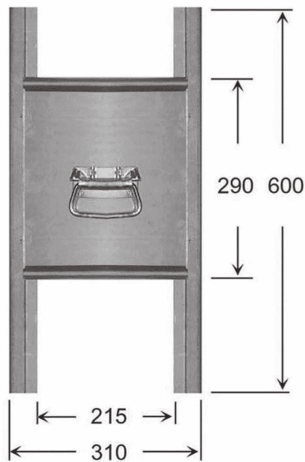
Art. 33-00029
Ferma badile zincato



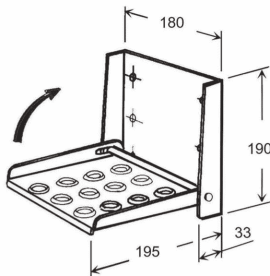
(Kg.0,150)
Galvanized stopper shovel



Art. 33-00031
Tampone abrasivo per fioretare
Bumper for anti reflex treatment

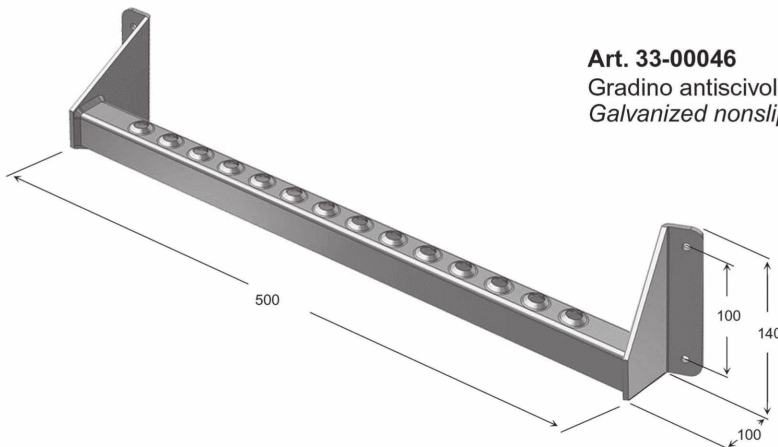


Art. 33-00068 (Kg.4,100)
Bocchetta scarico cereali
con maniglia aprisponda zinc.(39-00021)
*Cereals unloading pipes
with galv.door pull handle (39-00021)*



Art. 33-00026 (Kg.1,450)
Pedana salita zincata
Galvanized rise footboard

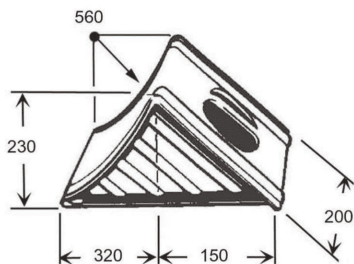
Art. 33-00042 (Kg.1,300)
Pedana salita inox
Stainless steel rise footboard



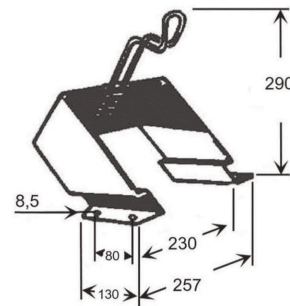
Art. 33-00046 (Kg.1,260)
Gradino antiscivolo zincato L = 500
Galvanized nonslip step L = 500

Cunei e Portacunei

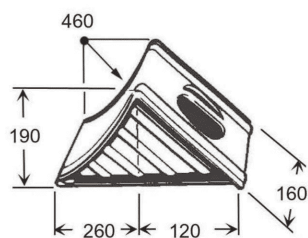
Skid shoes and wheel chocks and supports



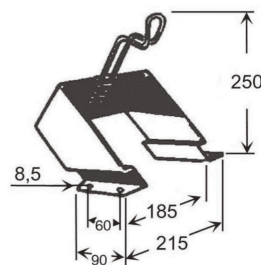
Art. 33-00032 (Kg.4,325)
Cuneo ferma ruote zincato grande
Galvanized big skid shoe



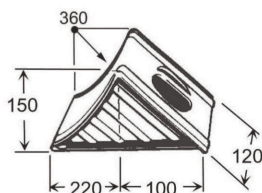
Art. 33-00033 (Kg.1,230)
Porta cuneo semplice zincato per cuneo grande
Skid shoe support for big skid shoe



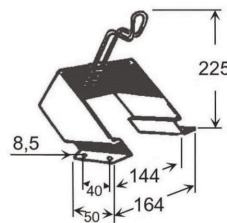
Art. 33-00040 (Kg.2,550)
Cuneo ferma ruote zincato medio
Galvanized medium skid shoe



Art. 33-00041 (Kg.0,930)
Porta cuneo semplice zincato per cuneo medio
Skid shoe support for medium skid shoe



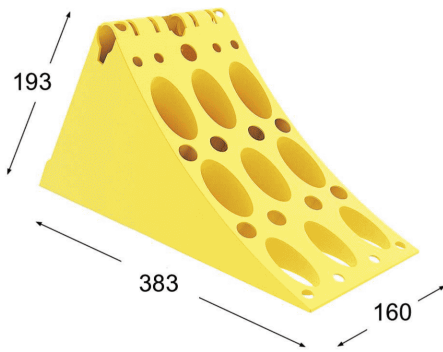
Art. 33-00065 (Kg.0,950)
Cuneo ferma ruote zincato piccolo
Galvanized small skid shoe



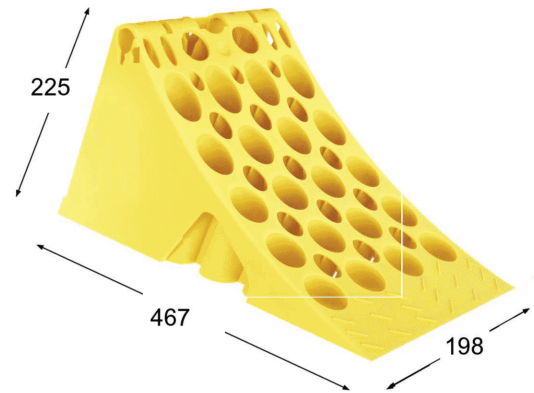
Art. 33-00066 (Kg.0,560)
Porta cuneo semplice zincato per cuneo piccolo
Skid shoe support for small skid shoe

Cunei e Portacunei

Skid shoes and wheel chocks and supports



Art. 33-00120 (Kg.0,800)
Calzatoia in plastica gialla
Wheel chock in yellow plastic



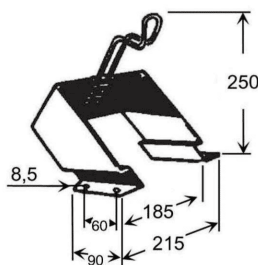
Art. 33-00121 (Kg.1,300)
Calzatoia in plastica gialla
Wheel chock in yellow plastic



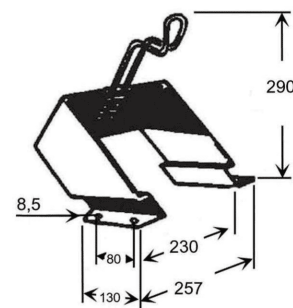
Art. 33-00125
Supp. Tubetto per calzatoia
(art.33-00120) (art.33-00121)
Wheel chock support
(art.33-00120) (art.33-00121)



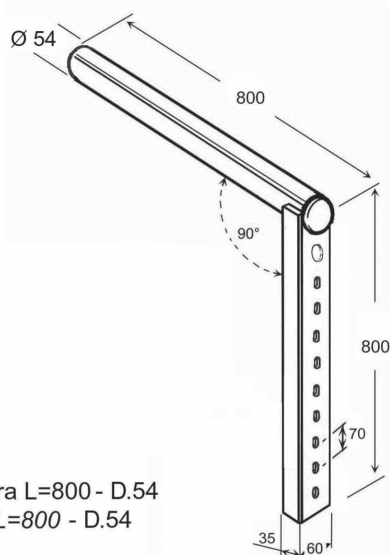
Art. 33-00127
Supp. Tubetto per calzatoia
(per 2 calzatoie)
Wheel chock support
(for 2 pieces)



Art. 33-00041
Porta cuneo semplice zincato per cuneo medio
Skid shoe support for medium skid shoe
(Kg.0,930)



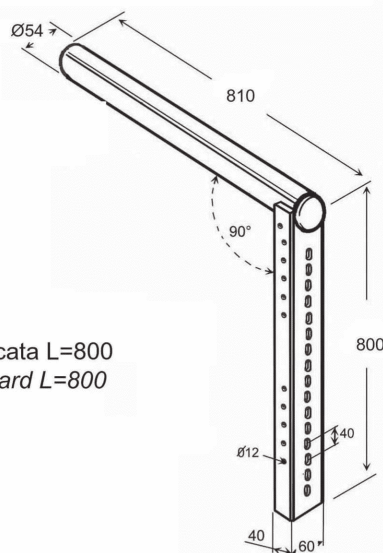
Art. 33-00033
Porta cuneo semplice zincato per cuneo grande
Skid shoe support for big skid shoe
(Kg.1,230)

Staffa fissa paracicli**Paracicle safety guard****Art. 33-00081**

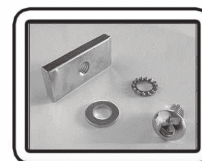
Staffa fissa paracicli nera L=800 - D.54
Paracicle safety guard L=800 - D.54
 (Kg.4,200)

**Art. 49-00018**

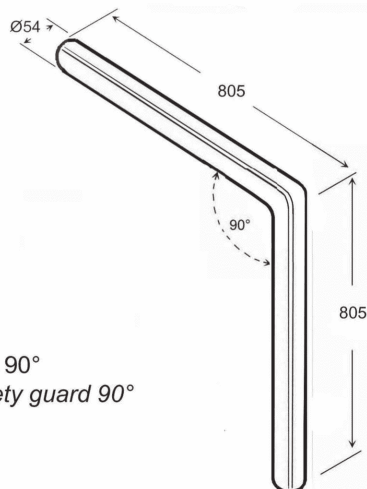
Tappo per staffa parafango
 PVC per tubo D.54
Black PVC cap for tube D. 54
 (Kg.0,017)

**Art. 33-00081/Z**

Staffa fissa paracicli zincata L=800
Galv.paracicle safety guard L=800
 (Kg.4,200)

**Art. 31-00051/C**

Kit ancoraggio (31-00051+79+85+86)
Fixing kit (31-00051+79+85+86)

**Art. 33-00084**

Staffa fissa paracicli zinc. 90°
Galvanized paracicle safety guard 90°
 (Kg. 4,200)

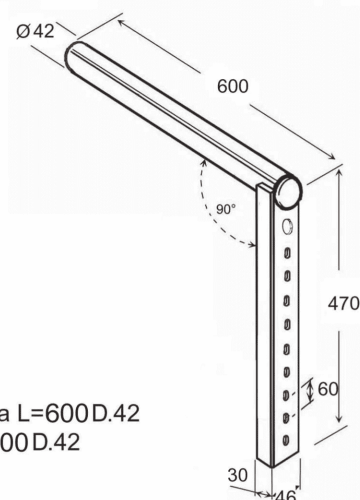
Staffa fissa paracicli

Paracicle safety guard



Art. 49-00023

Tappo per staffa parafango PVC per tubo D.42
Black PVC cap for tube D.42
 (Kg.0,010)

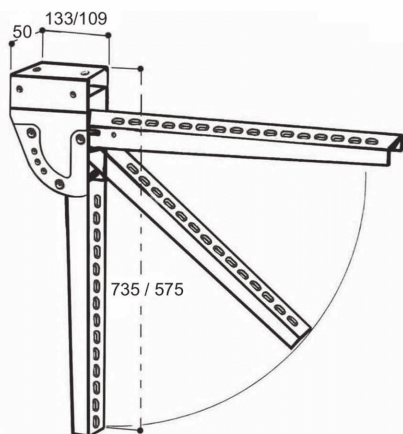


Art. 33-00085Z

Staffa fissa paracicli zincata L=600D.42
 Paracicle safety guard L=600D.42
 (Kg.4,000)

Kit snodo traverse

Folding paracicle safety guard



Art. 33-00047

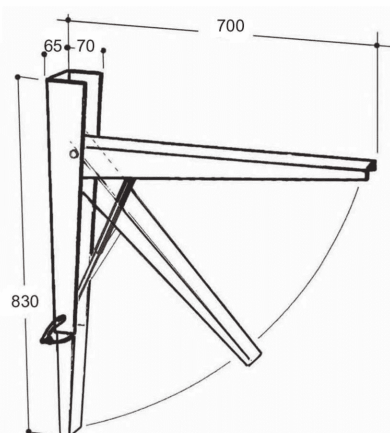
Kit per snodo traversa paracicli zincati L=735
Galvanized folding paracicle safety guard L=735
 (Kg.2,560)

Art. 33-00047/I

Kit per snodo traversa paracicli inox L=735
S.steel folding paracicle safety guard L=735
 (Kg.2,680)

Art. 33-00082

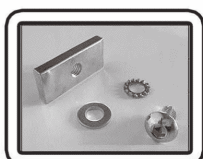
Kit per snodo traversa piccola paracicli zinc.L=575
Galvanized folding paracicle safety guard L=575
 (Kg.2,020)



Art. 33-00083

Kit per snodo traversa zincata paracicli
 c/molla a gas L=830
*Galvanized folding paracicle safety
 guard L=830 with gas spring*
 (Kg.5,020)

A richiesta / On demand



Art. 31-00051/C

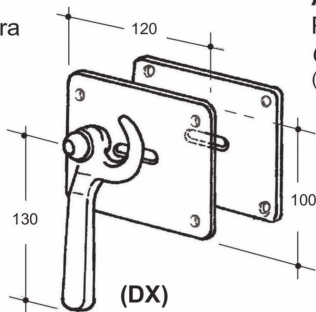
Kit ancoraggio (31-00051+79+85+86)
Fixing kit (31-00051+79+85+86)

CATENE " PARTICOLARI "

CHAINS

Art. 33-00051

Aggancio catena esterna zinc.su piastra
Galv. handle with plate
(Kg.0,420)

**Art. 33-00052**

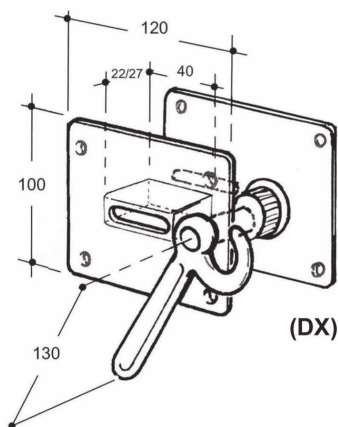
Piastra per aggancio catena zinc.(33-00051)
Galv. plate for release chain (33-00051)
(Kg.0,260)

Art. 33-00051/I

Aggancio catena esterna inox su piastra
Stainless steel release chain with plate
(Kg.0,450)

Art. 33-00052/I

Piastra per aggancio catena inox (33-00051/I)
S.steel plate for release chain (33-00051/I)
(Kg.0,270)

**Art. 33-00052/B**

Piastra per aggancio catena zincata
(33-00059/B e 33-00060/B)
Galv.plate for release chain with tube
and screw (33-00059/B e 33-00060/B)
(Kg.0,260)

Art. 33-00059/B

Aggancio catena esterna zinc.su piastra
con tubetto e brugola per sponda S/25
Galv.release chain with plate with tube and
screw for side board with a thickness of 25 mm
(Kg.0,530)

Art. 33-00060/B

Aggancio catena esterna zinc.su piastra
con tubetto e brugola per sponda S/30
Galv.release chain with plate with tube and
screw for side board with a thickness of 30 mm
(Kg.0,540)

Art. 33-00059

Aggancio catena esterna zinc.su piastra
con tubetto per sponda S/25
Galvanized release chain with plate with tube for
side board with a thickness of 25 mm

(Kg.0,470)

Art. 33-00060

Aggancio catena esterna zinc.su piastra
con tubetto per sponda S/30
Galvanized release chain with plate with tube for
side board with a thickness of 30 mm

(Kg.0,480)

Art. 33-00100

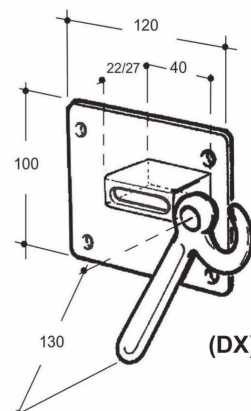
Aggancio catena esterna inox su piastra
con tubetto per sponda S/25
S.steel release chain with plate with tube for
side board with a thickness of 25 mm

(Kg.0,460)

Art. 33-00101

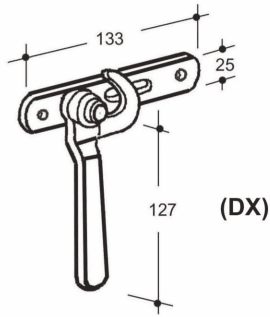
Aggancio catena esterna inox su piastra
con tubetto per sponda S/30
S.steel release chain with plate with tube for
side board with a thickness of 30 mm

(Kg.0,470)



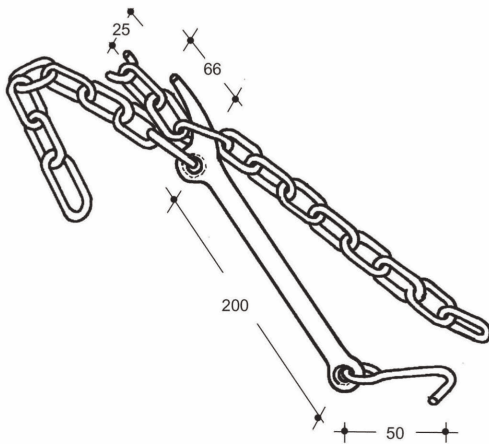
CATENE " PARTICOLARI "

CHAINS



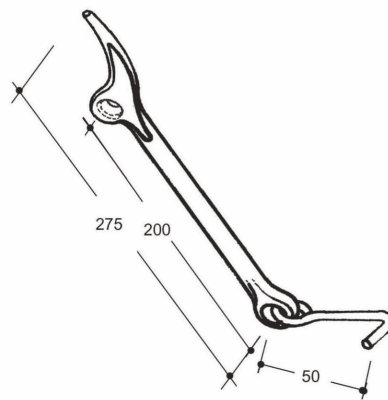
Art. 33-00050

Aggancio catena esterna zincato su piatto
Galvanized release chain with plate
(Kg.0,280)



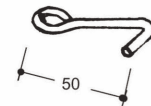
Art. 33-00056

Tendicatena zinc. completo di catena e ganci
Chain tightener with galv. hooks and chain
(Kg.2,525)



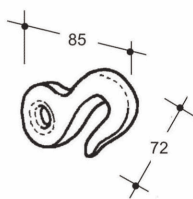
Art. 33-00055

Tendi catena con gancio
Chain tightener with hook
(Kg.0,266)



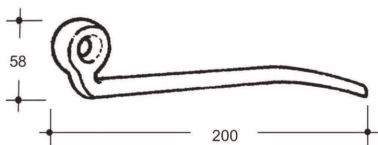
Art.33-00057

Gancio a "S" zincato
Galv.hook "S"



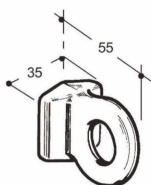
Art. 33-00054

Rampino per catena
Hook for chain
(Kg.0,170)



Art. 33-00053

Tendi catena nero / Chain tightener
(Kg.0,168)



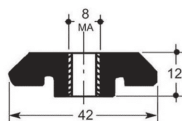
Art. 33-00058

Tendicatena chiuso / Hook for chain
(Kg.0,210)

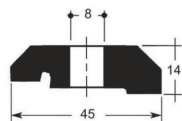
Accessori per Plan-kit e Pianali in alluminio

Accessories for brackets and Plan-kit

Art. 33-00099/C Kit tasselli Plan-Kit / Kit rawplug Plan-Kit



Art. 33-00099/F (Kg.0,044)
Tassello filettato / Rawplug thread



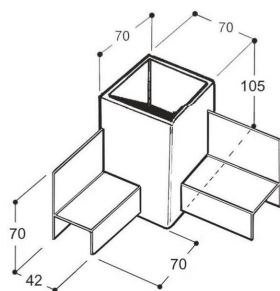
Art. 33-00099 (Kg.0,054)
Tassello forato Plan-kit / Rawplug Plan-kit



Art. 31-00087/T (Kg.0,010)
Brugola zincata D.8 MA x 28 trattata
Galvanized screw D.8 MA x 28 treated

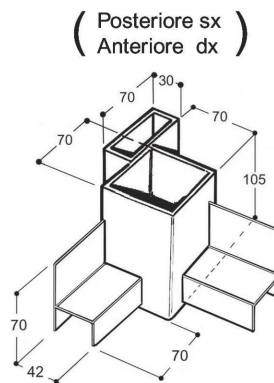
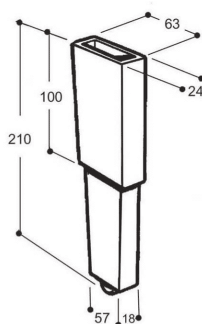


Art. 31-00079 (Kg.0,010)
Rondella piana D.8 MA x 16
Washer D.8 MA x 16

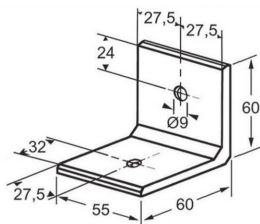


Art. 33-00076/N (Kg.0,585)
Blocco d'angolo in alluminio
per pianale Plan-Kit new
Alumin.corner block for Plan-kit

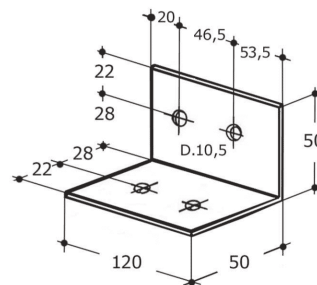
Art. 33-00078
Innesto maschio in alluminio
per blocco d'angolo Plan-Kit
Aluminium joint for corner
block Plan-kit
(Kg.0,395)



Art. 33-00077/N (Kg.0,860)
Blocco d'angolo in alluminio Dx / Sx
con sede per Plan-Kit new
Aluminium corner block R / L
with room for joint Plan-kit



Art. 33-00105 (Kg.0,102)
Angolare con 2 fori 60x60x55
Equal angles with 2 holes 60x60x55



Art. 33-00108 (kg.0,171)
Angolari con 4 fori 50x50x120 sp.5
Equal angles with 4 holes 50x50x120 th.5



Art. 33-00079 (Kg.0,140)
Tendi fune in alluminio Plan-Kit
Aluminium rope guide Plan-kit

Accessori per Plan-kit e Pianali in alluminio

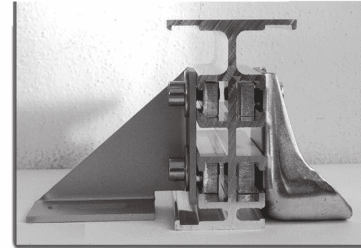
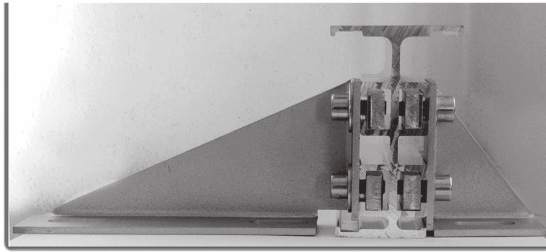
Accessories for brackets and Plan-kit

Art. 33-01001/C Kit fissaggio mensoline composto da :

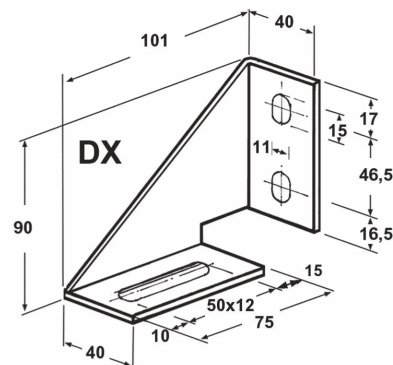
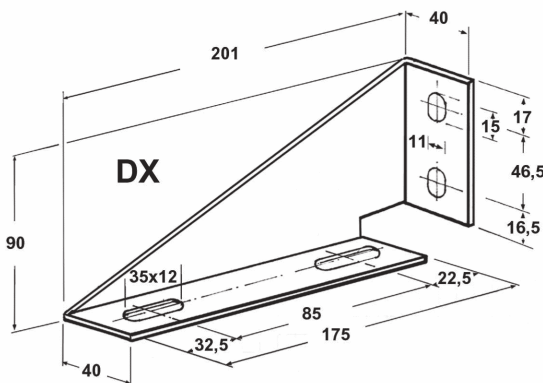
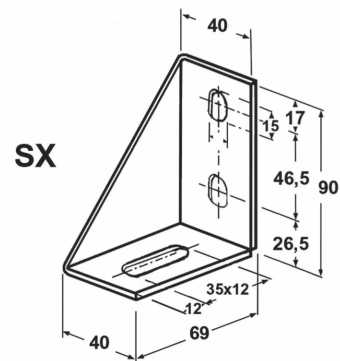
2PZ. Art. 31-00039 Piastrina a 1 foro zincata int.22+22 - 44x20 sp.10 Ø 10 MA

2PZ. Art. 31-00079/10 Rondella piana Ø 10,5 MA x 30

2PZ. Art. 31-00126/T Brugola zincata trattata Ø10 MA x 22

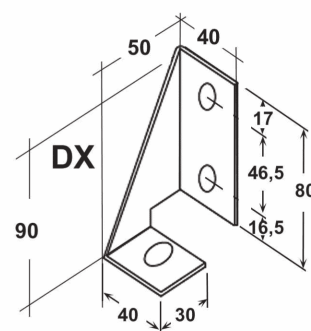
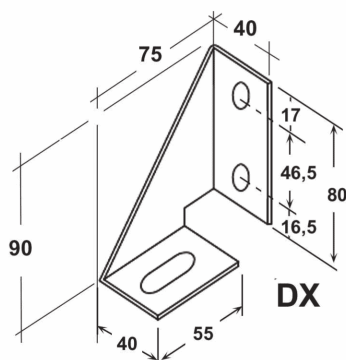


Art. 33-00190/DX - 33-00190/SX (Kg.0,234)
Mens.F/T esterna Sprinter/Ducato zinc.
Galv.Sprinter/Ducato external body mounting brackets



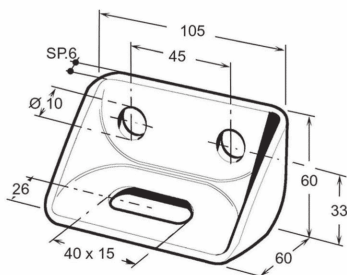
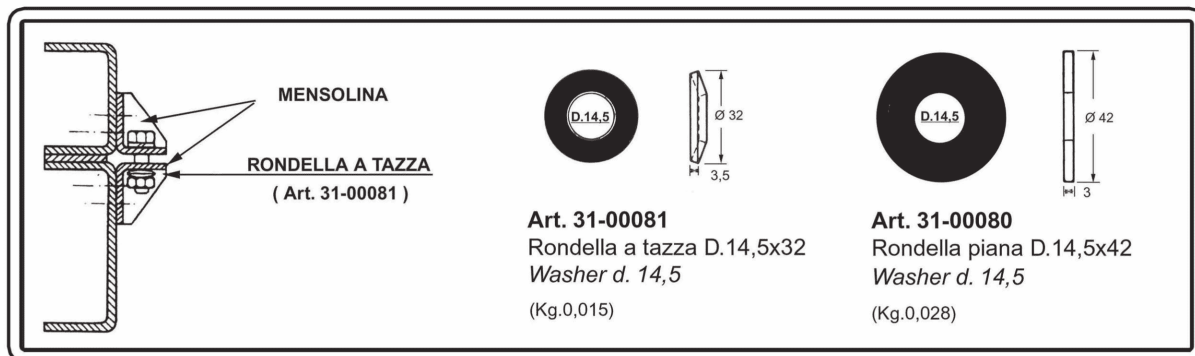
Art. 33-00192/DX - Art. 33-00192/SX
Mens.F/T.interna Sprinter Telaio sagomato zinc.
Galv.Sprinter inside
body mounting brackets (Kg.0,515)

Art. 33-00191/DX - Art. 33-00191/SX
Mens.F/T interna Sprinter/Ducato zinc.
Galv.Sprinter/Ducato inside
body mounting brackets (Kg.0,271)

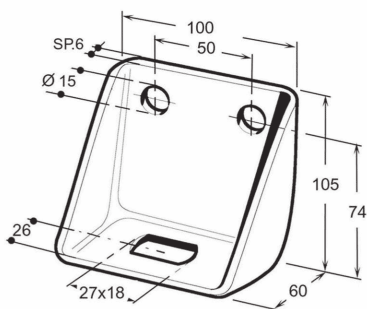


Art.33-00188/DX-Art.33-00188/SX
Mens.F/T.interna Renault Master zinc.
Galv.Renault Master inside body
mounting brackets (Kg.0,192)

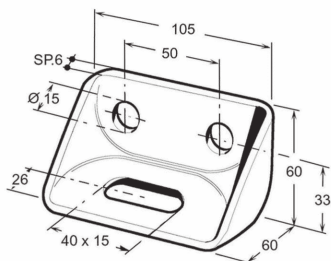
Art. 33-00189/DX - Art. 33-00189/SX
Mens.F/T.interna Ford Transit zinc.
Galv.Ford Transit inside body
mounting brackets (Kg.0,232)

Mensoline / staffe ancoraggio falso telaioBody mounting brackets

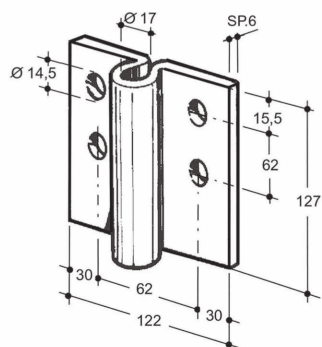
Art. 33-00195 **Art. 33-00195/Z (zincata)** (Kg.0,570)
Mensolina "Eurocargo" H.60 Sp.60/10
"Eurocargo" body mounting brackets H.60 sp.60/10



Art. 33-00196 **Art. 33-00196/Z (zincata)** (Kg.0,870)
Mensolina Atego Mercedes H.105 Sp.60/10
Mercedes Atego body mounting brackets H.105 sp.60/10



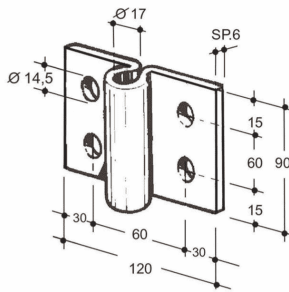
Art. 33-00197 **Art.33-00197/Z (zincata)** (Kg.0,570)
Mensolina Atego Mercedes H.60 Sp.60/10
Mercedes ATEGO body mounting brackets H.60 sp.60/10



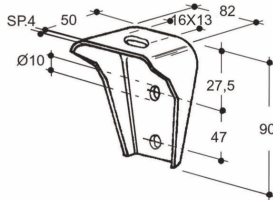
Art. 33-00198 (Kg.1,060)
Mensolina Fiat 330 H.127
FIAT 133 body mounting brackets H.127

Mensoline / staffe ancoraggio falso telaio

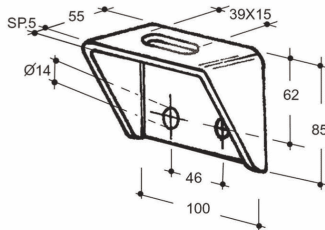
Body mounting brackets



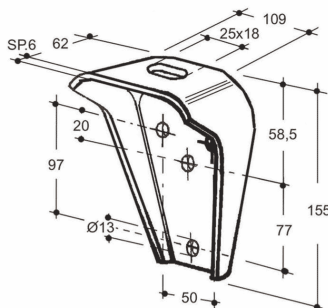
Art. 33-00199 (Kg.0,744)
 Mensolina Eurotech H.90
 Eurotech body mounting brackets H.90



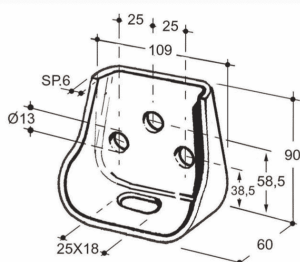
Art. 33-00200 - Art. 33-00200/Z (zinc.) (Kg.0,354)
 Mensolina piccola in lamiera H.90
 Small body mounting brackets H.90



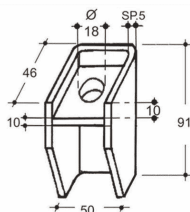
Art. 33-00201 - Art. 33-00201/Z (zinc.) (Kg.0,550)
 Mensolina media in lamiera H.85
 Tipo Man 95- 109-115-135
 MAN 95-109-115-135 body mounting brackets H.85



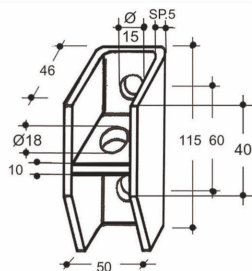
Art. 33-00203 - Art. 33-00203/Z (zinc.) (Kg.0,960)
 Mensoline grandi in lamiera H.155
 Large body mounting brackets H.155



Art. 33-00202 - Art. 33-00202/Z (zinc.) (Kg.0,720)
 Mensoline grandi in lamiera H.90
 Large body mounting brackets H.90

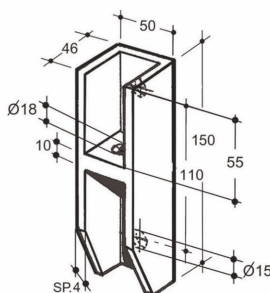


Art. 33-00206 (Kg.0,580)
 Mensoline falso telaio Volvo H.91
 VOLVO body mounting brackets H.91

Mensoline / staffe ancoraggio falso telaioBody mounting brackets

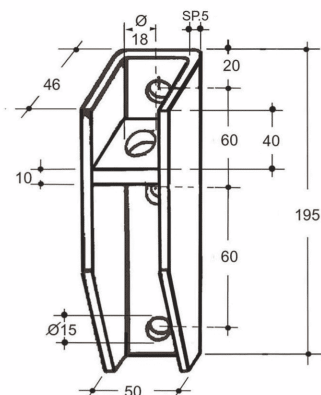
Art. 33-00207/N - Art. 33-00207/NZ (zinc.)
 Mensoline falso telaio Volvo H.115 int.60
 VOLVO body mounting brackets H.115 int.60

(Kg.0,703)



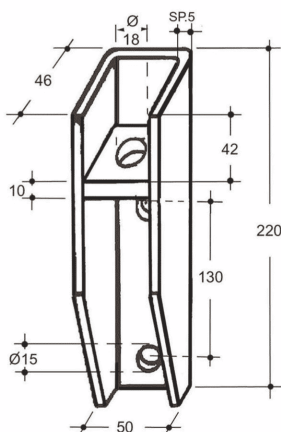
Art. 33-00218
 Mensoline falso telaio Volvo H.150 int.110
 VOLVO body mounting brackets H150 int110

(Kg.0,764)



Art. 33-00208
 Mensoline falso telaio Volvo H.195 int.60+60
 Volvo body mounting brackets H.195 int.60+60

(Kg.1,085)

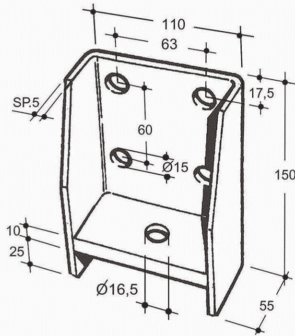


Art. 33-00216
 Mensoline falso telaio Volvo H.220 int.130
 Volvo body mounting brackets H.220 int.130

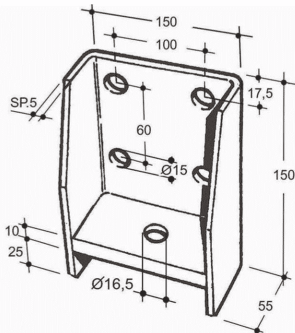
(Kg.1,245)

Mensoline / staffe ancoraggio falso telaio

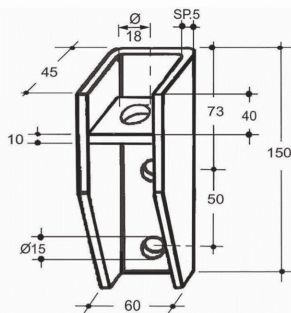
Body mounting brackets



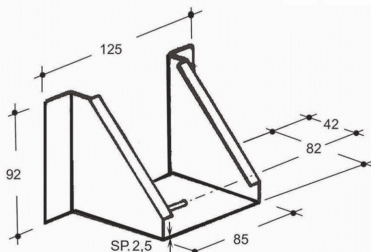
Art. 33-00215 - Art. 33-00215/Z (zinc.) (Kg.1,500)
 Mensoline falso telaio Scania H.150 int.63
 SCANIA body mounting brackets H.150 int.63



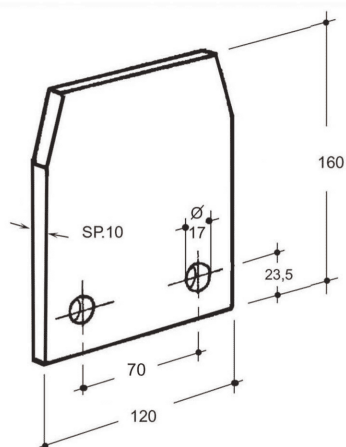
Art. 33-00215/N - Art. 33-00215/NZ (zinc.) (Kg.1,940)
 Mensoline falso telaio Scania new H.150 int.100
 SCANIA new body mounting brackets H.150 int.100



Art. 33-00193 - Art. 33-00193/Z (zinc.) (Kg.0,855)
 Mensoline falso telaio Scania H.150 int.50
 SCANIA body mounting brackets H.150 int.50

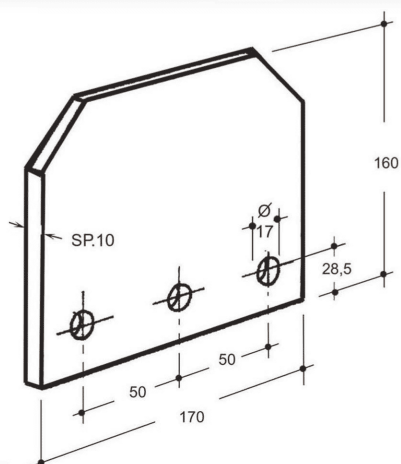


Art. 33-00209 - Art. 33-00209/Z (Kg.0,408)
 Mensoline falso telaio Fiat Ducato H.92 L.85
 Fiat Ducato body mounting brackets H.92

Mensoline / staffe ancoraggio falso telaio***Body mounting brackets*****Art. 33-00204**

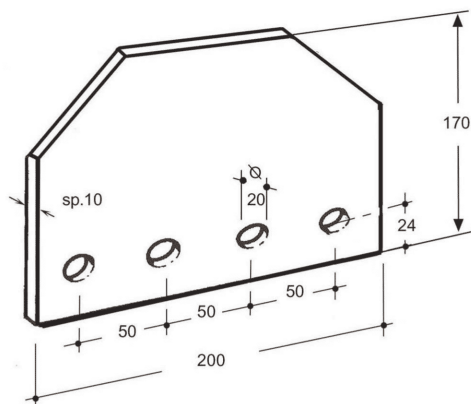
Mensolina a piastra per telaio 2 fori H.160 L.120
Chassis fixing brackets H.160 L.120 - 2 holes

(Kg.1,337)

**Art. 33-00205**

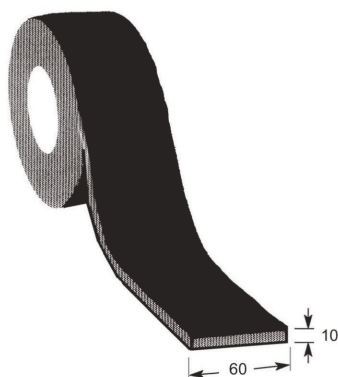
Mensoline a piastra per telaio 3fori H.160 L.170
Chassis fixing brackets H.160 L.170 - 3 holes

(Kg.2,000)

**Art. 33-00214**

Mensoline a piastra per telaio 4fori H.170 L.200
Chassis fixing brackets H.170 L.200 - 4 holes

(Kg.2,390)

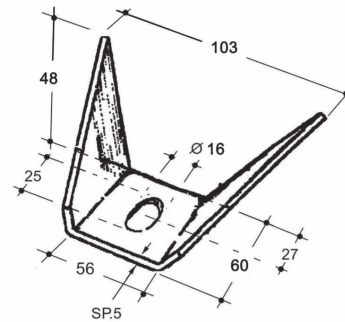
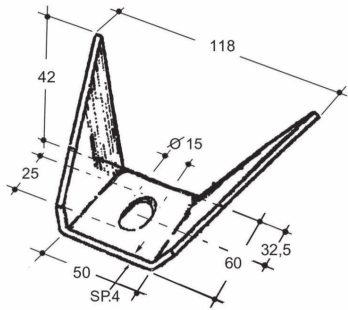
**Art. 33-00213**

Spessore gomma telata fra pianale e telaio originale
Sp. 10 mm. (rotoli da 10 mt.= circa Kg.9,5)

thick rubber between the floor and the original frame
Thickness 10 mm (rolls of 10 meters = 9,5 Kg.)

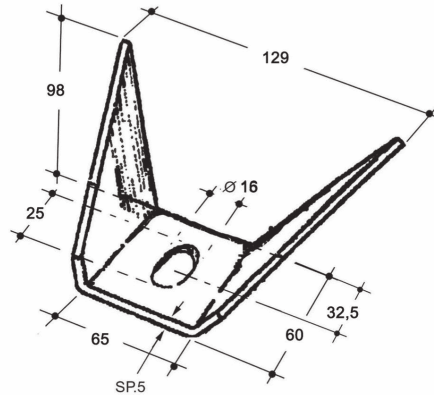
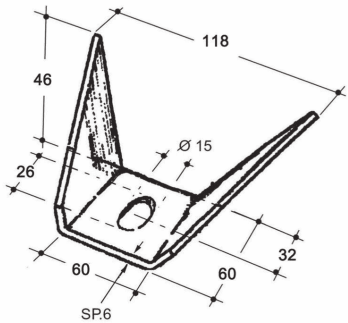
Mensoline / staffe ancoraggio falso telaio

Body mounting brackets



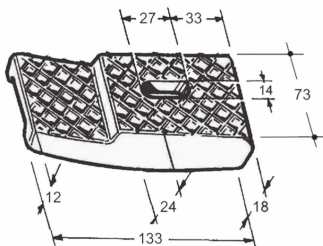
Art. 33-00210 (Kg.0,223)
Mensoline falso telaio a "V" sp. 40/10
"V" type body mounting brackets sp.40/10

Art. 33-00211 (Kg.0,277)
Mensoline falso telaio a "V" sp. 50/10
"V" type body mounting brackets sp.50/10



Art. 33-00212 (Kg.0,273)
Mensoline falso telaio a "V" sp. 60/10
"V" type body mounting brackets sp.60/10

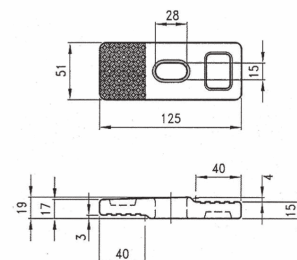
Art. 33-00211/M (Kg.0,434)
Mensoline falso telaio a "V" sp. 50/10
"V" type body mounting brackets sp.50/10



Art. 33-00217 (zinc.) (Kg.0,850)
Mensoline antisdrucchiolo per isotermici
Chassis fixing brackets for refrigerated vans

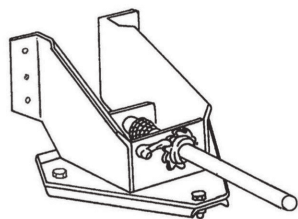


Art. 3300220 (kg.0,658)
Staffa fissaggio furgone zincato mm.3/6
Galvanized casted steel fixing bracket mm.3/6

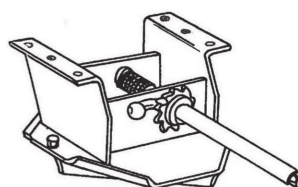


Porta ruota

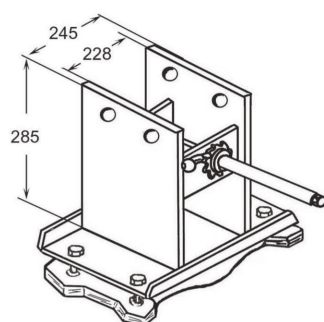
Fastening wheel carrier



ART.	Fori Holes	PORTA RUOTA LATERALE SIDE FASTENING WHEEL CARRIER	INT.	KG.
33-00219	5	ISUZU	200	5,500
33-00219/6	6	ISUZU	225	11,500
33-00223	5	MASCOT	180	5,500
33-00224	8		275	13,500
33-00225	10		335	15,500
33-00225/R	10	RINFORZATO / RENFORCED	335	18,000
33-00226		TRILEX		19,000
33-00227		CERCHI DAITON 20"		19,000
33-00234	5	EBRO - NISSAN	160	5,000
33-00236	6	NISSAN 35 - 50 / DAILY	170	5,000
33-00238	6	FIAT 79 - ATEGO - RENAULT.M.	245	12,500
33-00240	6	ATLEON	205	6,500
33-00242		SCANIA		20,500
33-00244	10	PER RUOTA 15" / FOR WHEELS 15"	225	12,000
33-00246	5	SPRINTER - TR VOLKSW.	125	4,500
33-00248	5	DAILY ruota singola / DAILY (single wheel)	110	4,500



ART.	Fori Holes	PORTA RUOTA SOTTO TELAIO UNDER-CHASSIS FASTENING WHEEL CARRIER	INT.	KG.
33-00221	8		275	12,500
33-00222	10		335	13,500
33-00223/S	5	MASCOT	180	6,000
33-00228		TRILEX		16,500
33-00229		CERCHI DAITON 20"		16,500
33-00237	6	DAILY - NISSAN 35 - 50	170	5,000
33-00239	6	FIAT 79 - ATEGO - RENAULT M.	245	10,500
33-00241	6	ATLEON	205	5,500
33-00243	5	NISSAN	160	4,500
33-00245	10	PER RUOTA 15" / FOR WHEELS 15"	225	10,500
33-00247	5	SPRINTER - TR. WOLKSW.	125	5,000

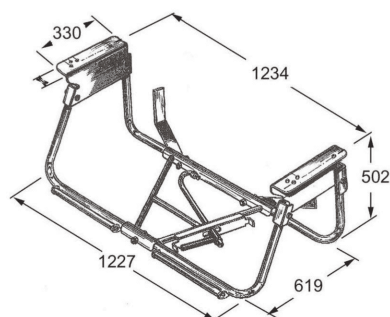


Art. 33-00233

(Kg.16,500)

Porta ruota sotto telaio per ruota pilota H. 285

Under-chassis fastening wheel carrier for wheel pilot H.285



Art. 33-00230

(Kg.30,00)

Porta ruota zincato a caldo per gomme 385/65 R.22,5

Under-chassis fastening wheel carrier galv. for wheels 385/65 R.22,5

Porta ruota a BANDIERA

Revolving wheel carrier for tipping lorries

Art. 33-00231

Kit porta ruota bandiera completo :

Kit complete revolving wheel carrier for tipping lorries :

A Art. 33-00231/B

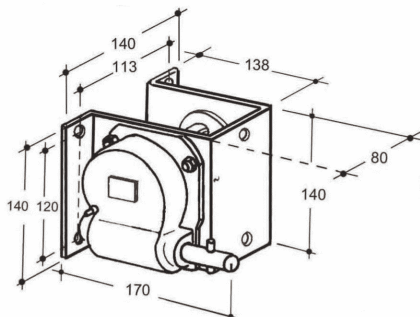
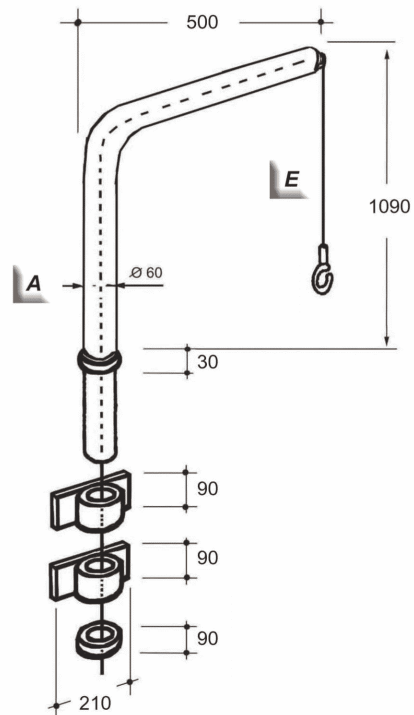
B Art. 33-00232

C Art. 33-00235

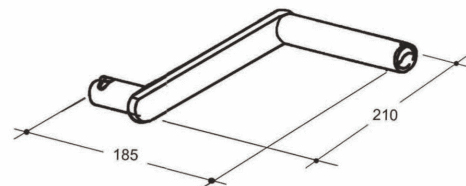
or

D Art. 33-00235/L

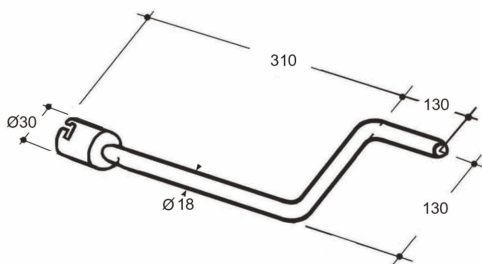
A Art. 33-00231/B
Braccio inclinato completo di fune e moschettone
Inclined support with rope and hook
(Kg.11,000)



B Art. 33-00232
Riduttore / Reduction unit
(Kg.2,780)



C Art. 33-00235
Maniglia per riduttore art.33-00232
Crank-handle for reduction unit art.33-00232
(Kg.0,780)



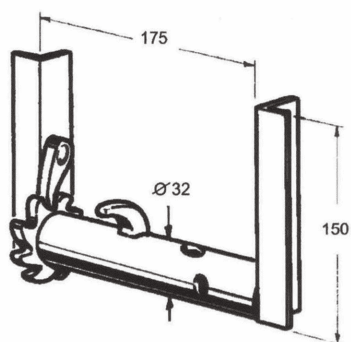
D Art. 33-00235/L
Maniglia lunga per riduttore art.33-00232
Crank-handle (long.version)
for reduction unit art.33-00232
(Kg.1,175)



E Art. 33-00231/F
Fune con moschettone D.4xL.5000
Rope with hook D.4 x L.5000
(Kg.0,500)

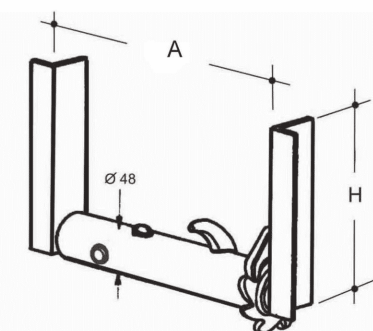
VERRICELLI

WINCH

**Art. 33-00262**

Verricello su angolare H.150 - Tubo D.32
Winch with brackets H.150 - Pipe D.32

(Kg.0,840)

**Art. 33-00250/N**

Verricello su angolare grezzo A=220-H=220 T.D.48
Winch with brackets - A=220-H=220 T.D.48

(Kg.1,785)

Art. 33-00250

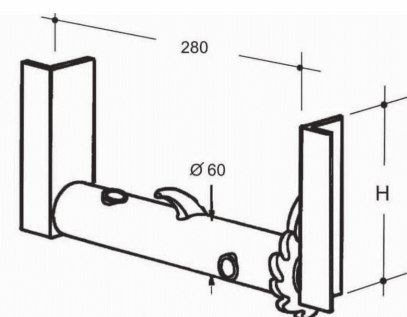
Verricello su angolare zincato A=220-H=210-T.D.48
Galvanized winch with brackets - A=220-H=210-T.D.48

(Kg.1,785)

Art. 33-00250/I

Verricello su angolare inox A=230-H=215-T.D.48
Stainless steel winch with brackets - A=230-H=215-T.D.48

(Kg.1,895)

**Art. 33-00251**

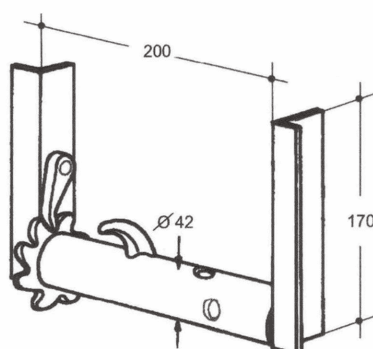
Verricello su angolare zincato H.220 - Tubo D.60
Galvanized winch with brackets H.220 - Pipe D.60

(Kg.3,210)

Art. 33-00251/L

Verricello su angolare H.270 - Tubo D.60
Winch with brackets H.270 - Pipe D.60

(Kg.3,940)

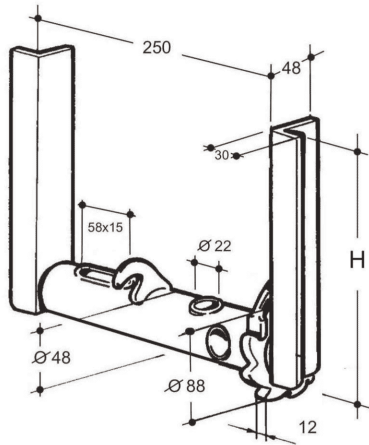
**Art. 33-00258**

Verricello su angolare senza tubetti zincato H.170 - Tubo D.42
Galvanized winch with brackets without slots H.170 - Pipe D.42

(Kg.1,315)

VERRICELLI

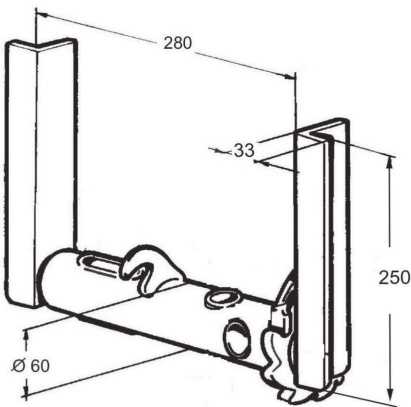
WINCH



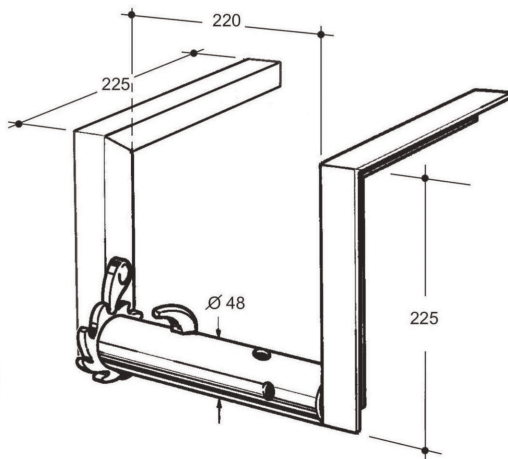
Art. 33-00259/N (Kg.2,275)
 Verricello su angolare con tubetti e asole per cinghie grezzo H.250 - Tubo D.48
 Winch with brackets with slots for webbing belt H.250 - Pipe D.48

Art. 33-00259 (Kg.2,275)
 Verricello su angolare con tubetti e asole per cinghie zincato H.250 - Tubo D.48
 Winch with brackets with slots for webbing belt H.250 - Pipe D.48

Art. 33-00259/I (Kg.2,275)
 Verricello su angolare con tubetti e asole per cinghie (INOX) H.250 - Tubo D.48
 Winch with brackets with slots for webbing belt H.250 - Pipe D.48 (S.s.)



Art. 33-00264 (Kg.3,600)
 Verricello su angolare con tubetti e asole per cinghie H. 250 - Tubo D.60
 Winch with brackets with slots for webbing belt H. 220 - Pipe D.60

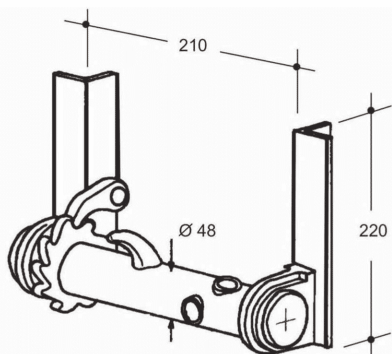


Art. 33-00261 (Kg.3,050)
 Verricello a squadra per "Plan-Kit" H. 225 - Tubo D.48
 Winch with brackets for "Plan-kit" H.225 - Pipe D.48

Art. 33-00261/Z (Kg.3,050)
 Verricello zincato a squadra per "Plan-Kit" H. 225 - Tubo D.48
 Galvanized Winch with brackets for "Plan-kit" H.225 - Pipe D.48

VERRICELLI

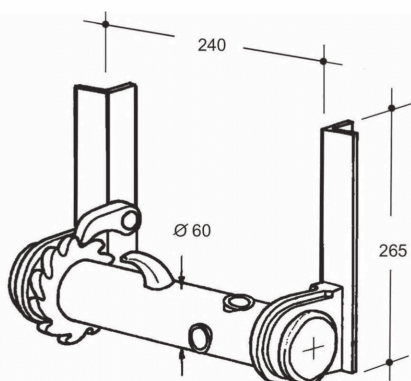
WINCH

**Art. 33-00254**

(Kg.3,295)

Verricello stampato su angolare H.220 - Tubo D.48

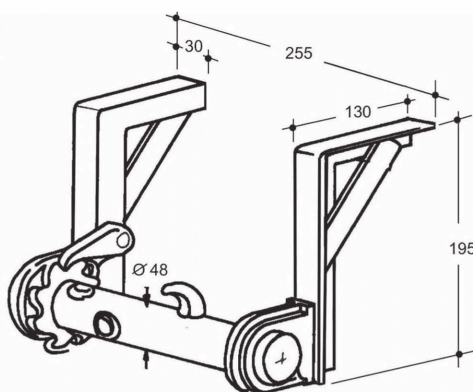
Winch with forged sides support with brackets H.220 - Pipe D.48

**Art. 33-00255**

(Kg.4,470)

Verricello stampato su angolare H.265 - Tubo D.60

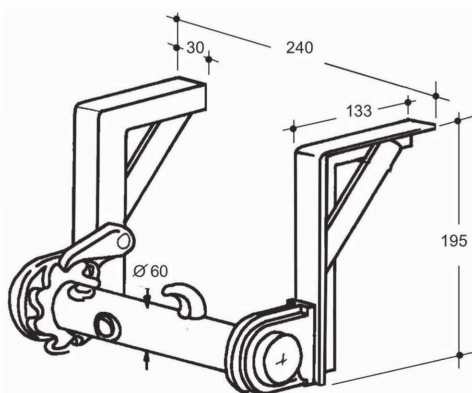
Winch with forged sides support with brackets H.265 - Pipe D.60

**Art. 33-00256**

(Kg.3,220)

Verricello stampato su angolare a squadra H.195 - Tubo D.48

Winch with forged sides support with brackets H.195 - Pipe D.48

**Art. 33-00257**

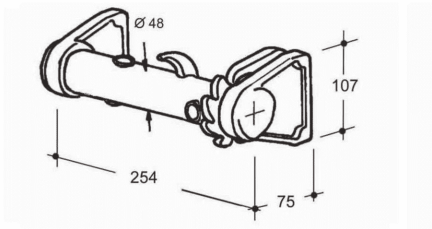
(Kg.4,130)

Verricello stampato su angolare a squadra H.195 - Tubo D.60

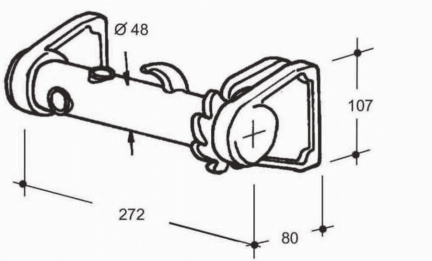
Winch with forged sides support with brackets H.195 - Pipe D.60

VERRICELLI

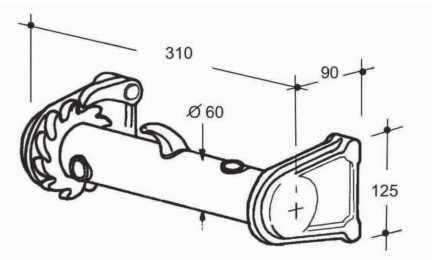
WINCH



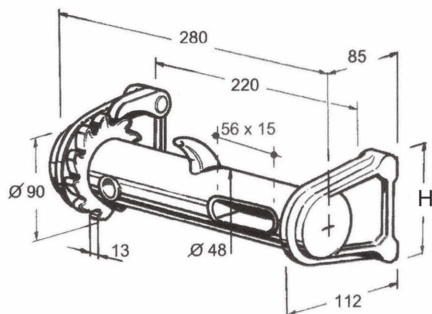
Art. 33-00253 (Kg.2,500)
 Verricello stampato H.107 - Tubo D.48
 Winch with forged sides support H.107 - Pipe D.48



Art. 33-00253/I (Kg.2,920)
 Verricello stampato inox H.107 - Tubo D.48
 S.steel winch with forged sides support H.107 - Pipe D.48

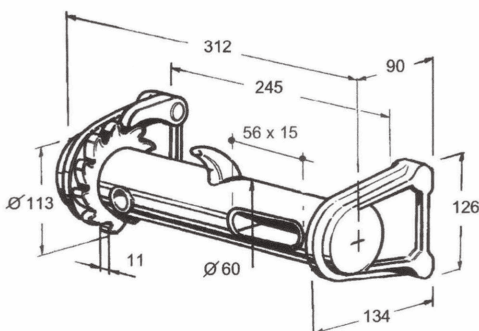


Art. 33-00252 (Kg.4,230)
 Verricello stampato H.125 - Tubo D.60
 Winch with forged sides support H.125 - Pipe D.60



Art. 33-00263 (Kg.2,845)
 Verricello stampato con tubetti e asole
 per cinghie H.108 - Tubo D.48
 Winch with forged sides support with slots
 for webbing belt H.108 - Pipe D.48

Art. 33-00263/I (Kg.3,200)
 Verricello stampato con tubetti e asole
 per cinghie H.105 - Tubo D.48 (inox)
 Winch with forged sides support with slots
 for webbing belt H.105 - Pipe D.48 (S.s.)

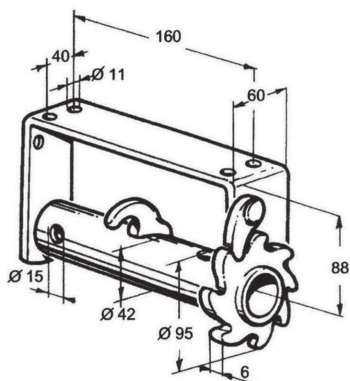


Art. 33-00260 (Kg.4,990)
 Verricello stampato con tubetti e asole
 per cinghie H.126 - Tubo D.60
 Winch with forged sides support with
 slots for webbing belt H.126 - Pipe D.60

ACCESSORIES FOR TIPPERS AND FIXED BODIES

VERRICELLI

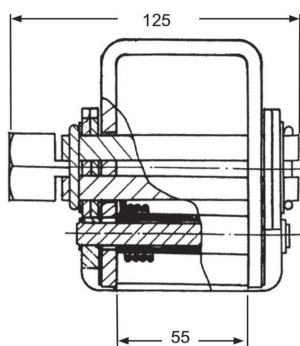
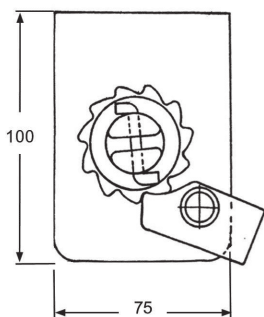
WINCH

**Art. 33-00249**

(Kg.1,445)

Verricello tipo agricolo zincato H.88 - Tubo D.42

Galvanized winch agricultural type H.88 - Pipe D.42

**Art. 33-00266**

(Kg.1,560)

Verricello per cinghia mm.50 (capacita' Kg.5000)

Winch for 50 mm webbing belt. (Breaking test load 5000 Kg.)