

**Supporti - culle  
cilindri**

***Brackets - cradles  
cylinders***

**36**



**RE-ALL**

Supporti con piastrine

A richiesta / On demand

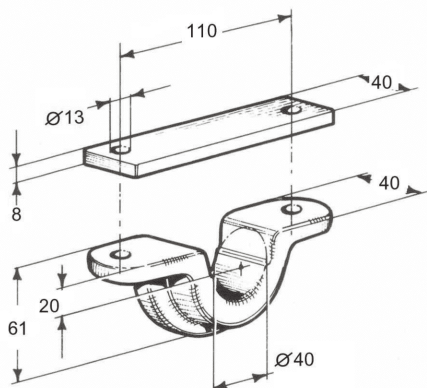
Brackets with sheets

Art. 36-00002

Piastrina per supporto aperto D.40 - D.45

(Kg.0,304)

Sheet for bracket for cylinder D.40 - D.45

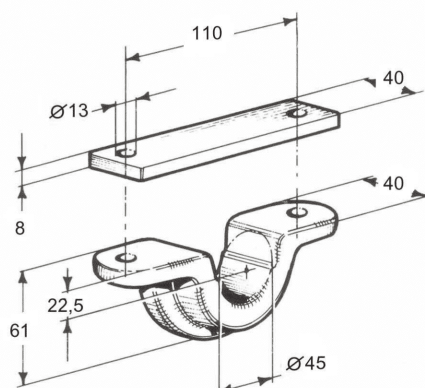


Art. 36-00001

(Kg.0,800)

Supporto aperto D.40

Bracket for cylinder D.40



Art. 36-00009

(Kg.0,800)

Supporto aperto D.45

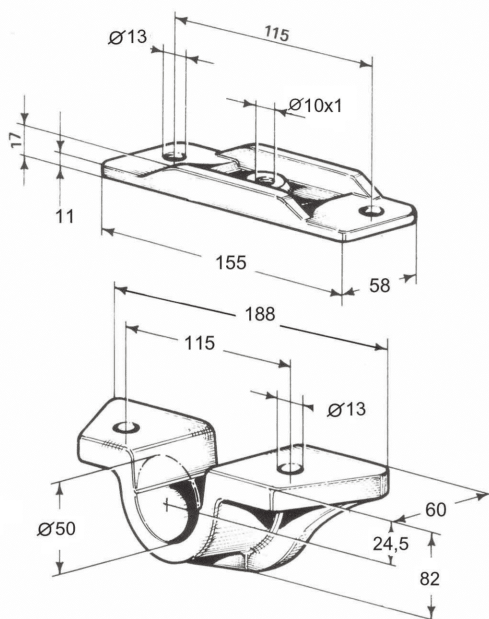
Bracket for cylinder D.45

Art. 36-00008

Piastrina per supporto aperto D.50-D.55-D.60

(Kg.0,680)

Sheet for bracket for cylinder D.50-D.55-D.60

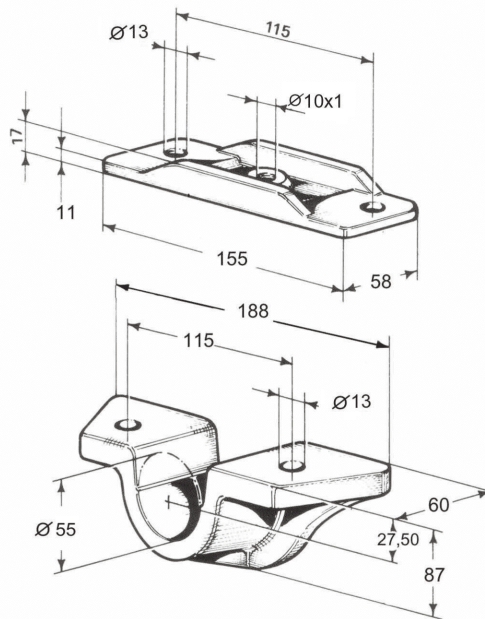


Art. 36-00006

(Kg.1,720)

Supporto aperto D.50

Bracket for cylinder D.50



Art. 36-00013

(Kg.1,720)

Supporto aperto D.55

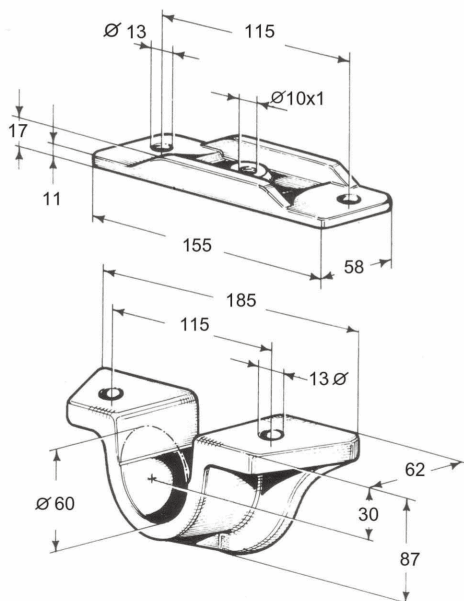
Bracket for cylinder D.55

## Supporti con piastrine

A richiesta / On demand

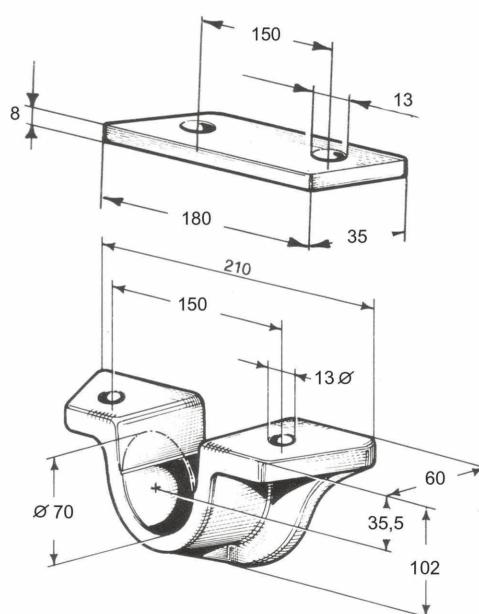
## Brackets with sheets

**Art. 36-00008** (Kg.0,680)  
Piastrina per supporto aperto D.50-D.55-D.60  
Sheet for bracket for cylinder D.50-D.55-D.60



**Art. 36-00007** (Kg.1,730)  
Supporto aperto D.60  
Bracket for cylinder D.60

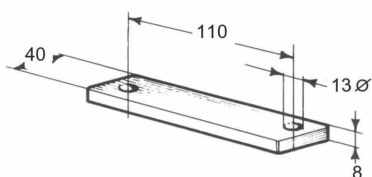
**Art. 36-00012** (Kg.0,382)  
Piastrina per supporto aperto D.70  
Sheet for bracket for cylinder D.70



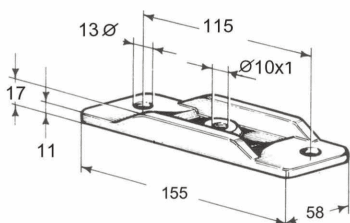
**Art. 36-00011** (Kg.2,850)  
Supporto aperto D.70  
Bracket for cylinder D.70

## Piastrine

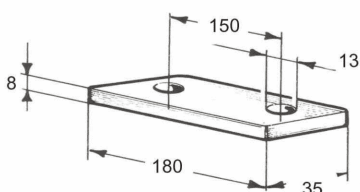
## Sheets



**Art. 36-00002** (Kg.0,304)  
Piastrina int.Fori 110 per supp.aperto D.40-D.45  
Sheet for bracket for cylinder



**Art. 36-00008** (Kg.0,680)  
Piastrina int.Fori 115 forata per supp.aperto D.50-D.55-D.60  
Sheet for bracket for cylinder D.50-D.55-D.60

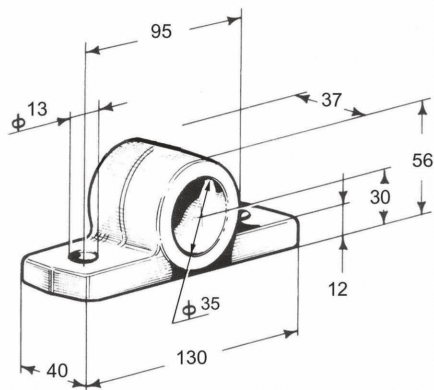


**Art. 36-00012** (Kg.0,382)  
Piastrina int.Fori 150 per supp.aperto D.70  
Sheet for bracket for cylinder

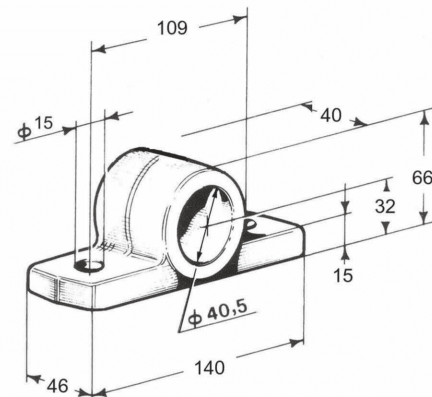
Supporti chiusi

A richiesta / On demand

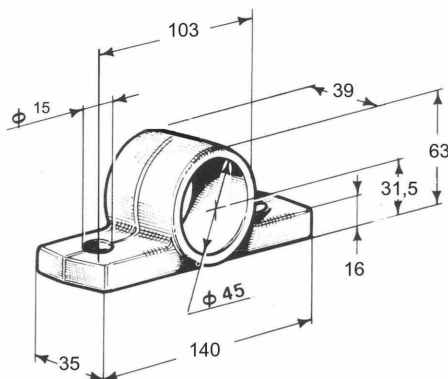
Brackets



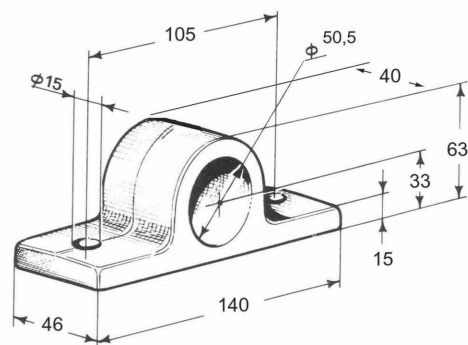
**Art. 36-00014** (Kg.1,138)  
Supporto chiuso D.35  
Bracket for cylinder D.35



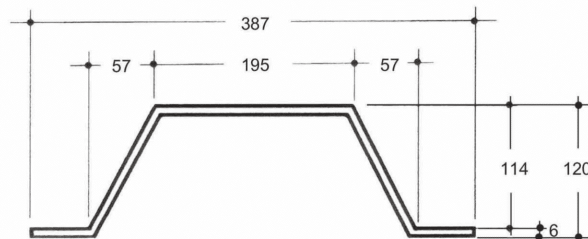
**Art. 36-00003** (Kg.1,149)  
Supporto chiuso D.40  
Bracket for cylinder D.40



**Art. 36-00004** (Kg.0,859)  
Supporto chiuso D.45  
Bracket for cylinder D.45



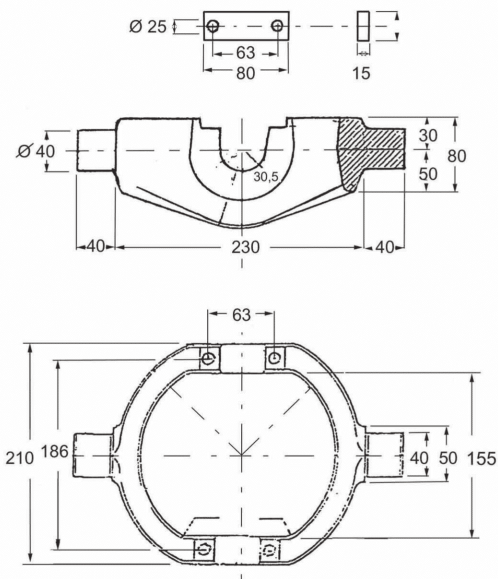
**Art. 36-00005** (Kg.0,720)  
Supporto chiuso D.50  
Bracket for cylinder D.50



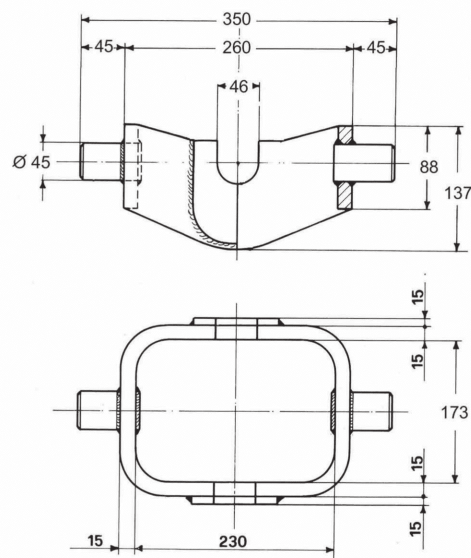
**Art. 36-00040**  
Omega supporto cilindro L = 350 mm. / Omega support for cylinder L=350 mm.  
(Kg.8,000)

## Culle per cilindri ( in antiruggine ) Cradles for Cylinders ( antirust )

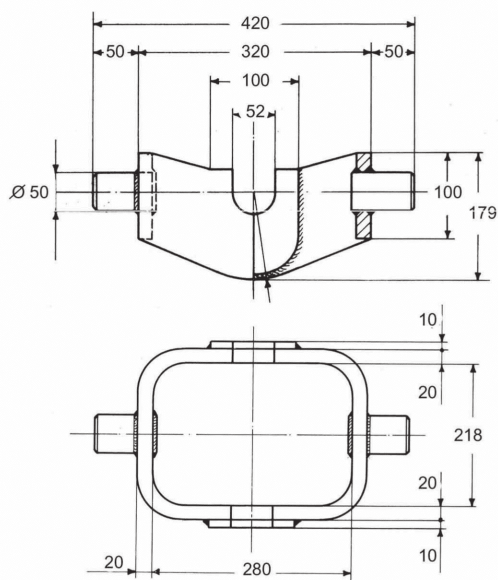
A richiesta / On demand



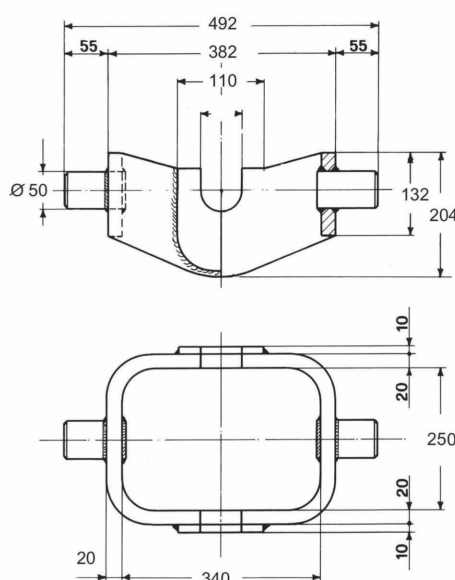
**Art. 36-00020F** (Kg.10,130)  
Culla per cilindro c/spallamento da 155 Fusa  
(portata max T.8)  
Cradle for cylinder (shoulder 155 mm)  
(charge max 8 T.)



**Art. 36-00021** (Kg.11,500)  
Culla per cilindro c/spallamento da 173  
(portata max T.9)  
Cradle for cylinder (shoulder 173 mm)  
(charge max 9 T.)



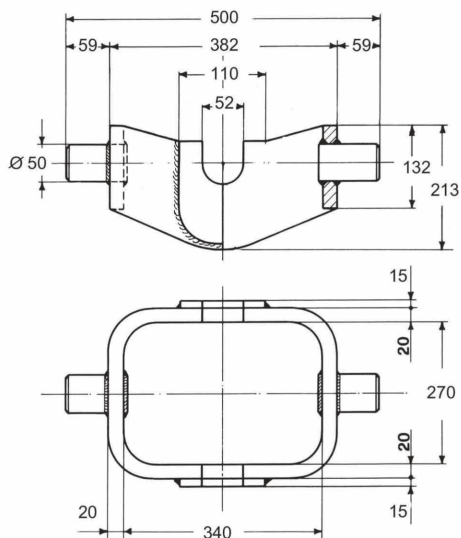
**Art. 36-00022** (Kg.22,000)  
Culla per cilindro c/spallamento da 218  
(portata max T.13)  
Cradle for cylinder (shoulder 218 mm)  
(charge max 13 T.)



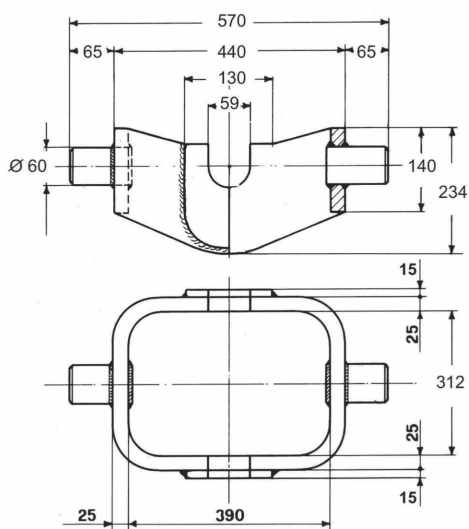
**Art. 36-00023** (Kg.29,500)  
Culla per cilindro c/spallamento da 250  
(portata max T.14)  
Cradle for cylinder (shoulder 250 mm)  
(charge max 14 T.)

Culle per cilindri ( in antiruggine ) *Cradles for cylinders ( antirust )*

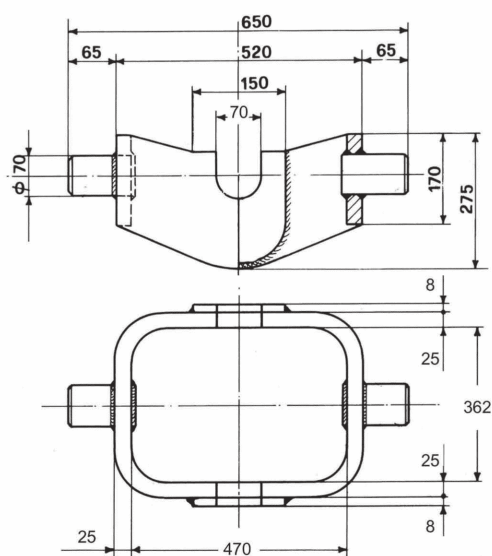
A richiesta / On demand



**Art. 36-00024** (Kg.32,000)  
Culla per cilindro c/spallamento da 270  
(portata max T. 20)  
*Cradle for cylinder (shoulder 270 mm)*  
(charge max 20 T.)



**Art. 36-00029** (Kg.49,500)  
Culla per cilindro c/spallamento da 312  
Rinforzata (portata max T. 25)  
*Cradle for cylinder (shoulder 312 mm)*  
(charge max 25 T.)



**Art. 36-00026** (Kg.66,500)  
Culla per cilindro c/spallamento da 362  
(portata max T. 32)  
*Cradle for cylinder (shoulder 362 mm)*  
(charge max 32 T.)

## RICAMBI CILINDRI

A richiesta / On demand

## SPARE CYLINDERS

GUARNIZIONE		RASCHIATORI		GUIDE INF. H.20	
SEALS		ROD WIPERS		DELTRIN GUIDE H.20	
ART.	D.	ART.	D.	ART.	D.
36-00100	30	36-00150	30	36-00200	30
36-00101	45	36-00151	45	36-00201	45
36-00102	60	36-00152	60	36-00203	61
36-00103	61	36-00153	61	36-00204	75
36-00104	75	36-00154	75	36-00205	79
36-00105	79	36-00155	79	36-00208	98
36-00106	90	36-00156	90	36-00209	105
36-00107	92	36-00157	92	36-00213	120
36-00108	98	36-00158	98	36-00215	135
36-00109	105	36-00159	105	36-00216	154
36-00110	110	36-00160	110	36-00217	174
36-00111	116	36-00161	116	36-00218	196
36-00112	120	36-00162	120	36-00219	221
36-00113	122	36-00163	122	36-00220	249
36-00114	130	36-00164	130	36-00221	279
36-00115	135	36-00165	135		
36-00116	154	36-00166	154		
36-00117	174	36-00167	174		
36-00118	196	36-00168	196		
36-00119	221	36-00169	221		
36-00120	249	36-00170	249		
36-00121	279	36-00171	279		

GUIDE INF. H.13,5		GUIDE SUPERIORI		ANELLO DI RITEGNO	
DELTRIN GUIDE H.13,5		DERLIN GUIDE		STEEL LOCK RING	
ART.	D.	ART.	D.	ART.	D.
36-00200B	30	36-00250	30	36-00320	43
36-00201B	45	36-00251	45	36-00321	58
36-00202B	60	36-00252	60	36-00322	58AP
36-00203B	61	36-00253	61	36-00323	73
36-00204B	75	36-00254	75	36-00324	92
36-00205B	79	36-00255	79		
36-00206B	90	36-00256	90		
36-00207B	92	36-00257	92		
36-00208B	98	36-00258	98		
36-00209B	105	36-00259	105		
36-00210B	110	36-00260	110		
36-00211B	116	36-00261	116		
36-00212B	122	36-00262	120		
36-00213B	120	36-00263	122		
36-00214B	130	36-00264	130		
36-00215B	135	36-00265	135		
36-00216B	154	36-00266	154		
36-00217B	174	36-00267	174		
36-00218B	196	36-00268	196		
36-00219B	221	36-00269	221		
36-00220B	249	36-00270	249		
36-00221B	279	36-00271	279		

CAPPELLO COMPLETO	
TOP CAP	
ART.	D.
36-00300	43
36-00301	43P
36-00302	58
36-00303	58AP
36-00304	73
36-00305	92