

**Cerniere per
furgoni**

Hinges for vans

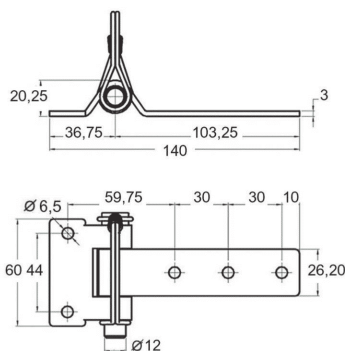
37



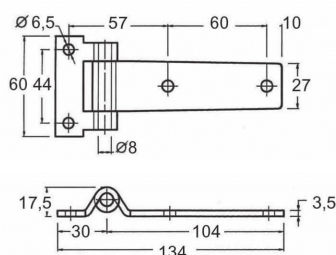
RE-ALL

Cerniere per porte laterali

Side door hinges

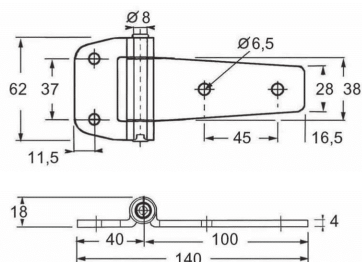


Art. 37-00000 Cerniera piatta zincata con laccio (kg. 0,210)
Zinc plated flat hinge with lace



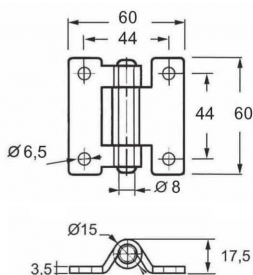
Art. 37-00001 Cerniera INOX (kg. 0,195)
Stainless steel flat hinge

Art. 37-00002 Cerniera zincata
Galvanized flat hinge



Art. 37-00003 Cerniera INOX (kg. 0,235)
Stainless steel flat hinge

Art. 37-00004 Cerniera zincata
Galvanized flat hinge

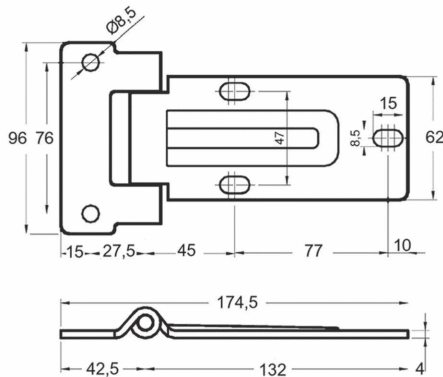


Art. 37-00005 Cerniera INOX (kg. 0,140)
Stainless steel flat hinge

Art. 37-00006 Cerniera zincata
Galvanized flat hinge

Cerniere per porte laterali

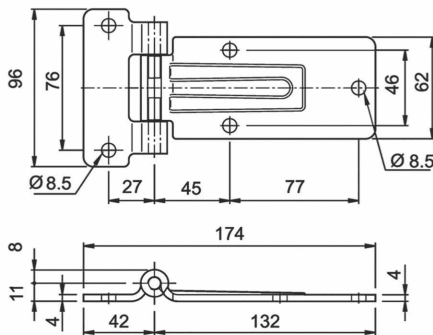
Side door hinges



Art. 37-00011/F Cerniera INOX piatta (fori asolati)
S.s. flat hinge (slotted holes)

(Kg. 0,450)

Art. 37-00012/F Cerniera zincata piatta (fori asolati)
Galv. flat hinge (slotted holes)

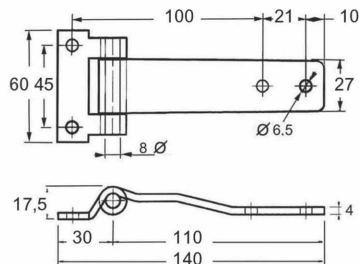


Art. 37-00011 Cerniera inox piatta (fori tondi)
S.s. flat hinge (round holes)
(boccole IGLIDUR)

A richiesta / On demand

(Kg.0,430)

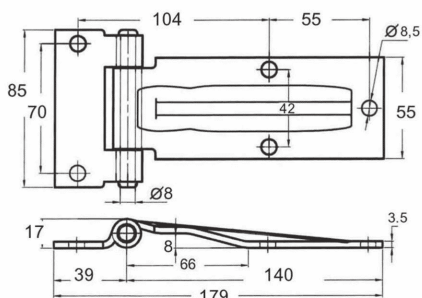
Art. 37-00012/P Cerniera zincata piatta (fori tondi)
Galv. flat hinge (round holes)
(boccole IGLIDUR)



Art. 37-00007 Cern. INOX per guarnizione
Stainless steel flat hinge for internal seals

(Kg. 0,195)

Art. 37-00008 Cern. ZINC. per guarnizione
Galvanized flat hinge for internal seals



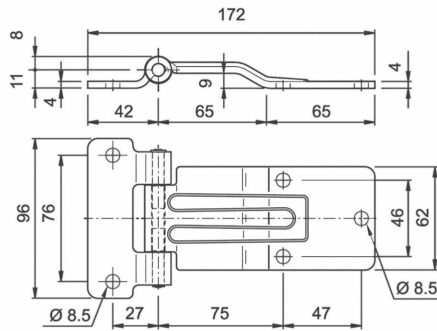
Art. 37-00009 Cerniera INOX per guarnizione
Stainless steel flat hinge for internal seals

(Kg. 0, 375)

Art. 37-00010 Cerniera ZINC. per guarnizione
Galvanized flat hinge for internal seals

Cerniere per porte laterali

Side door hinges

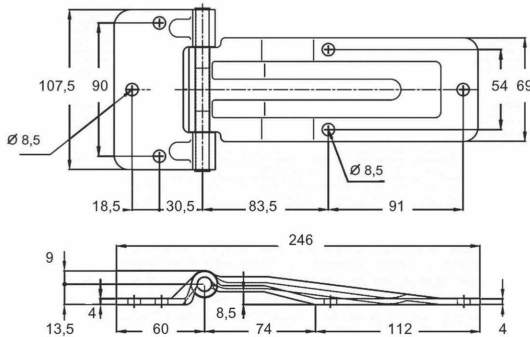


Art. 37-00010/P

(Kg.0,430)

Cerniera ZINC per guarnizione
Galvanized flat hinge for internal seals

A richiesta / On demand



Art. 37-00015/bis

Cerniera INOX per guarnizione

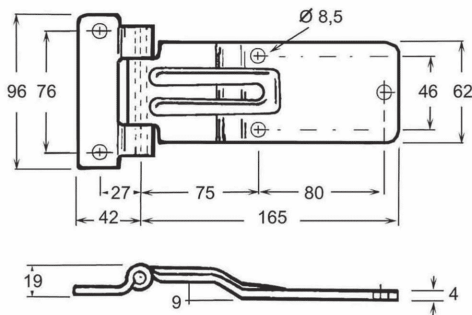
Stainless steel flat hinge for internal seals

(Kg. 0,750)

Art. 37-00016/bis

Cerniera ZINC per guarnizione

Galvanized flat hinge for internal seals

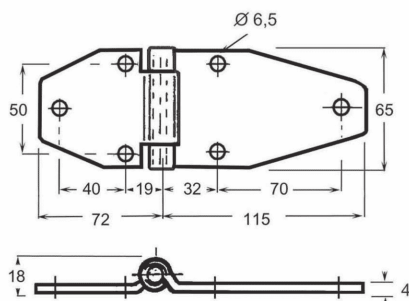


Art. 37-00017

(Kg. 0,490)

Cerniera INOX per guarnizione

Stainless steel flat hinge for internal seals



Art. 37-00025 Cerniera INOX piatta

Stainless steel flat hinge

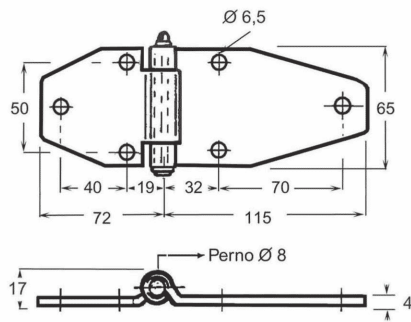
(Kg. 0,372)

Art. 37-00026 Cerniera ZINC piatta

Galvanized flat hinge

Cerniere per porte laterali

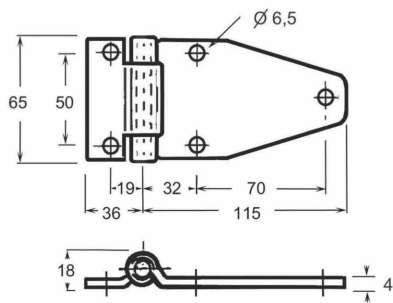
Side door hinges



Art. 37-00026/BIS

(Kg. 0,370)

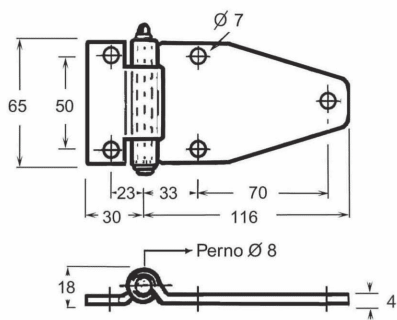
Cern.ZINC piatta perno con ingrassatore
Galvanized flat hinge, pin with lubricator



Art. 37-00027 Cerniera INOX piatta
Stainless steel flat hinge

(Kg. 0,320)

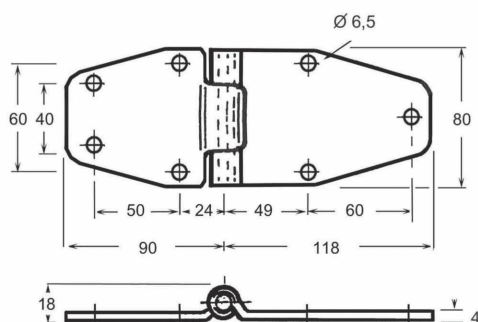
Art. 37-00028 Cerniera ZINC piatta
Galvanized flat hinge



Art. 37-00028/BIS

(Kg. 0,320)

Cern.ZINC piatta perno con ingrassatore
Galvanized flat hinge, pin with lubricator



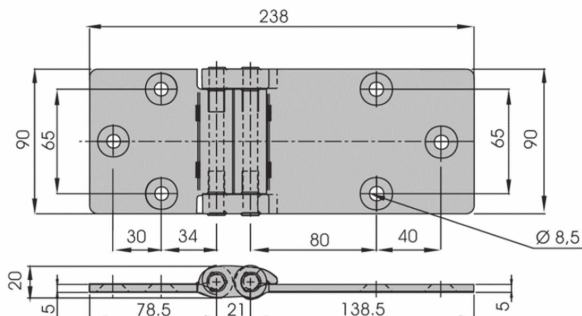
Art. 37-00029

(Kg. 0,520)

Cerniera INOX piatta
Stainless steel flat hinge

Cerniere a doppio snodo per porte laterali

Double jointed hinges for side doors

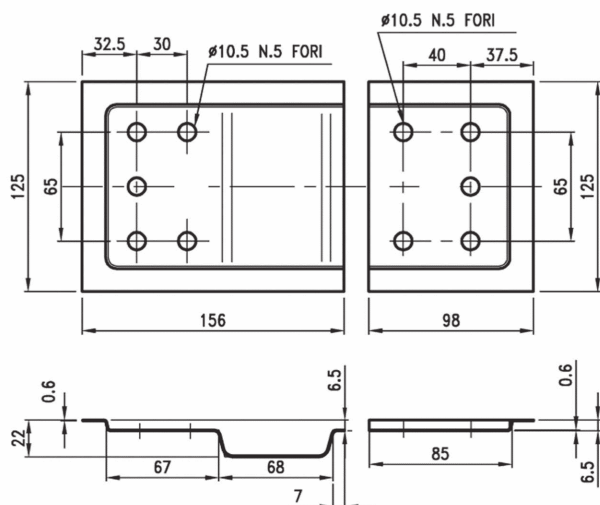


Art. 37-00023

(kg. 1,120)

Cerniera ad incasso doppio snodo inox L=238

S. steel double jointed recessed hinges L=238

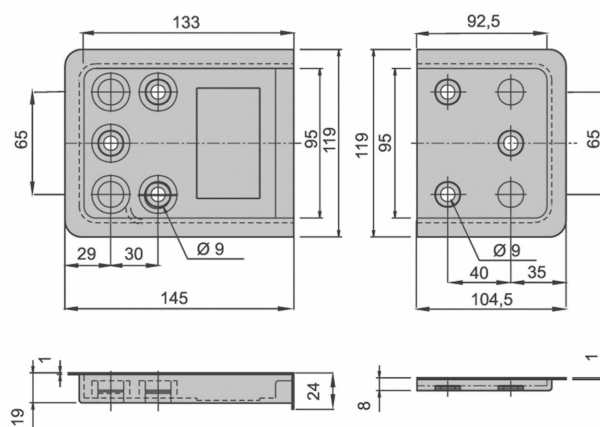


Art. 37-00024

(Kg.0,150)

Sede inox L=156+98 per cern. ad incasso doppio snodo L=238 (art.37-00023)

Stainless steel kit housing L=156+98 for double jointed recessed hinges L=238



Art. 37-00024/P

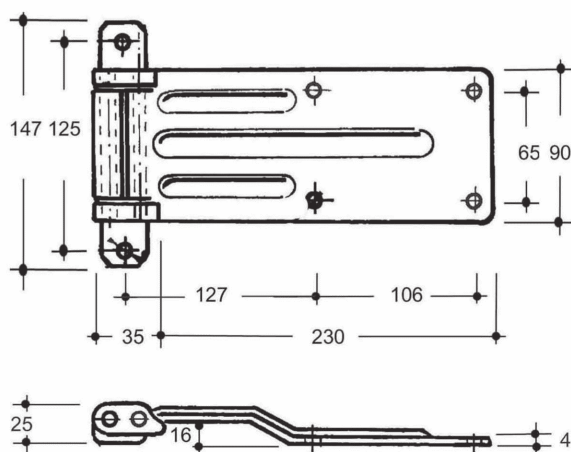
(Kg.0,210)

Sede in plastica L=145+104,5 per cern. ad incasso doppio snodo L=238 (art.37-00023)

Plastic Kit housings L=145+104,5 for double jointed recessed hinges L=238

Cerniere a doppio snodo per porte posteriori

Double jointed rear door hinges



Art. 37-00018

(kg.1,225)

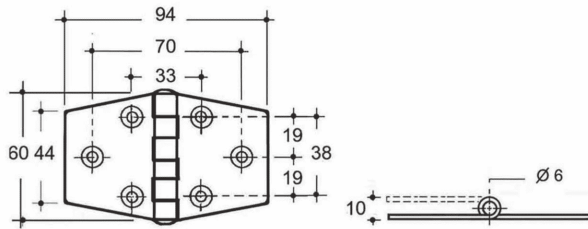
Cerniera doppio snodo inox L=230+35 2fori

Stainless steel double jointed hinge

L=230+35 2 holes

Cerniere a libro

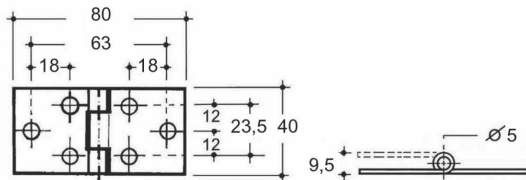
Piano Hinges

**Art. 37-00033**

(kg.0,060)

Cerniera a libro inox AISI 304 sp. 20/10
L= 60 x 94 perno Ø 6

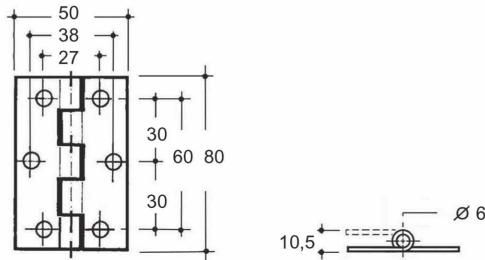
*Stainless steel AISI 304 piano hinge with holes
tickness 20/10 L=60X94 pin d. 6*

**Art. 37-00034**

(kg.0,060)

Cerniera a libro inox AISI 304 sp. 20/10
L= 80 x 40 perno Ø 5

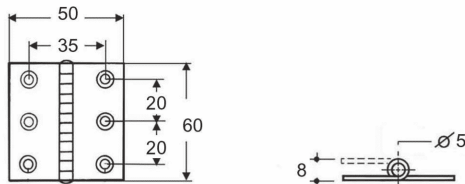
*Stainless steel AISI 304 piano hinge with holes
tickness 20/10 L=80X40 pin d. 5*

**Art. 37-00035**

(Kg. 0,094)

Cern. a libro inox AISI 304 sp.20/10
L=50x80 perno Ø6

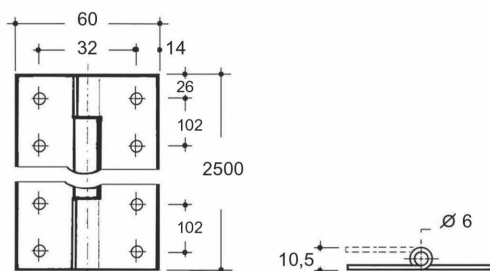
*Stainless steel AISI 304 piano hinge with holes
tickness 20/10 L=50X80 pin d. 6*

**Art. 37-00036**

(Kg. 0,044)

Cern.a libro inox AISI 304 sp.20/10
L=50x60 perno Ø5

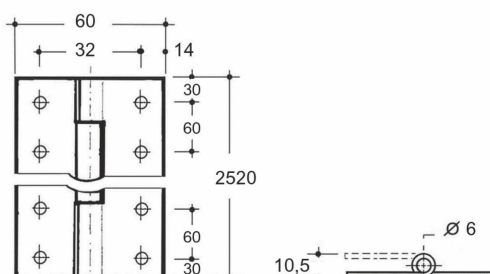
*Stainless steel AISI 304 piano hinge with holes
tickness 20/10 L=50X60 pin d. 5*

**Art. 37-00037**

(Kg. 3,000)

Cern. a libro inox AISI 304 sp.20/10
L=60x2500 perno Ø6 inox

*Stainless steel AISI 304 piano hinge with holes
tickness 20/10 L=60X2.500 stainless steel pin d.6*

**Art. 37-00038**

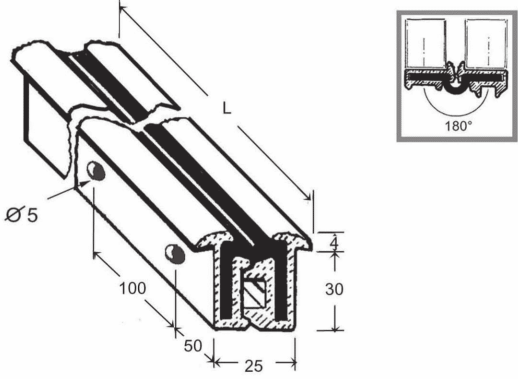
(kg.3,500)

Cerniera a libro nera sp.20/10
L=60x2520 perno Ø6 in ottone

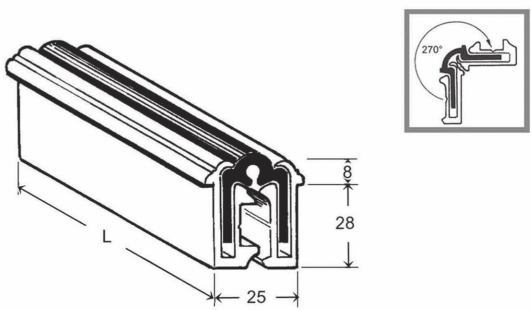
*Raw piano hinge with holes
tickness 20/10 L=60X2.520 brass pin d.6*

Cerniere alluminio + gomma

Continuous hinges (aluminium + black polyurethan)



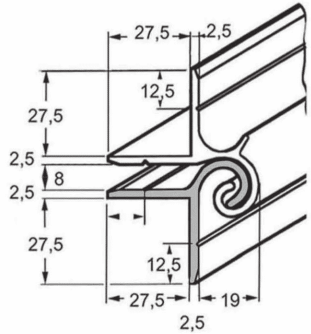
Cerniera apertura 180° Hinges 180° opening			
Art.	H.	L.	Kg
37-00039	30	2400	3,550
37-00040	30	2700	3,996
37-00041	30	4000	5,920



Cerniera apertura 270° Hinges 270° opening			
Art.	H.	L.	Kg
37-00042	28	3000	4,500

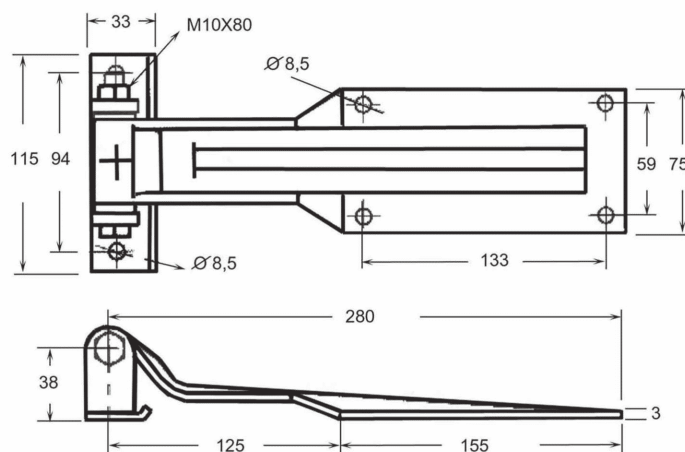
Kit cerniera in alluminio anodizzato

Continuous anodized aluminium hinge (complete set)



Cerniera apertura 155° Hinges 155° opening				
Art.	H.	L.		Kg
37-00045	27,50	5000	maschio - male	3,550
37-00046	27,50	5000	femmina - female	3,996
37-00045/C	Kit 37-00045 + 37-00046			

Cerniere per porte posteriori complete kit *Rear door hinges*

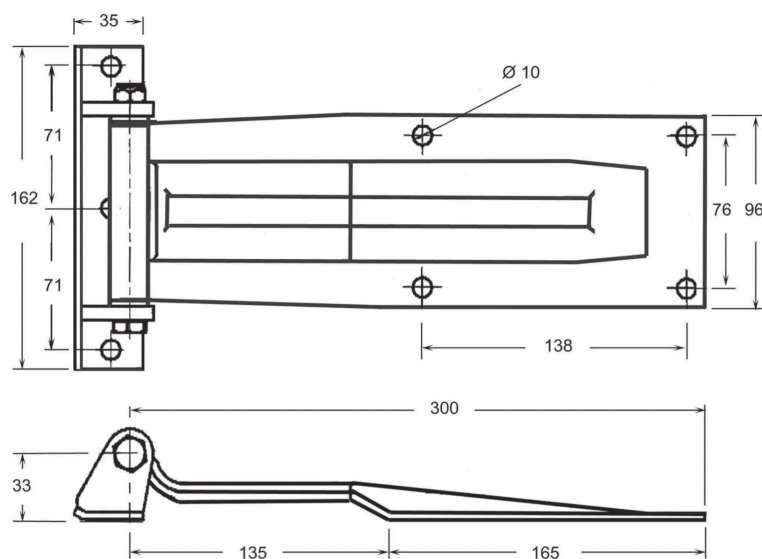
**Art. 37-00059/F**

Cerniera inox completa di cardine e perno L=280 / *Stainless steel hinge with bracket, pin and nut L=280*

(kg.0,760)

Art. 37-00060/F

Cerniera zincata completa di cardine e perno L=280 / *Galvanized hinge with bracket, pin and nut L=280*

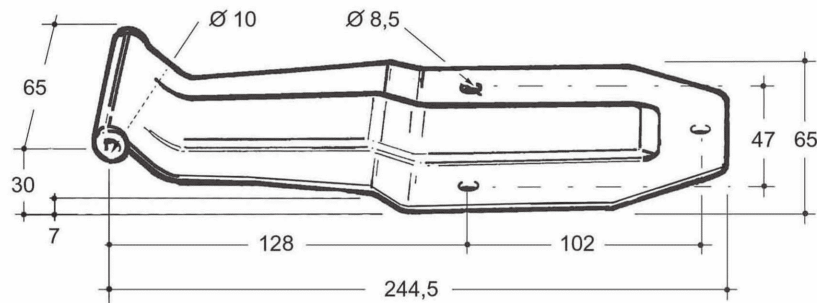
**Art. 37-00074/F**

(Kg.1,500)

Cerniera inox completa di cardine e perno L=300 / *Stainless steel hinge with bracket, pin and nut L=300*

Cerniere per porte posteriori

Rear door hinges



Art. 37-00050

Cerniera inox L=244,5

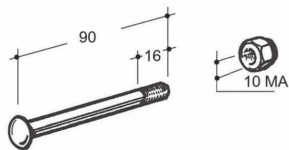
Stainless steel hinge L=244,5

(Kg.0,580)

Art. 37-00051

Cerniera zincata L=244,5

Galvanized hinge L=244,5

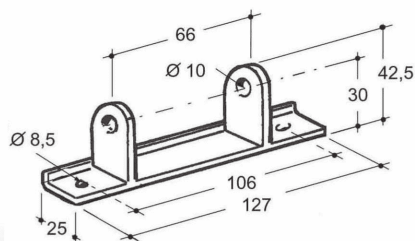


Art. 37-00052

(Kg.0,247)

Cardine base piana inox L=127 - 25mm.

Stainless steel flat bracket L=127 - 25mm.



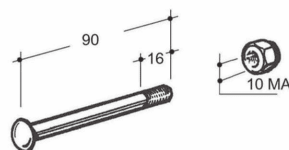
Art. 37-00053

(Kg.0,257)

Cardine base piana zincata L=127 - 25mm.

Galvanized flat bracket L=127 - 25mm.

(con perno e dado / with pin e self-locking nut)

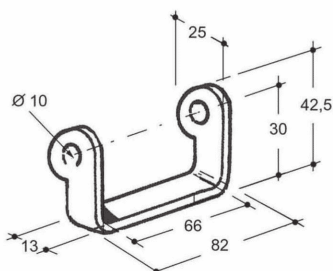


Art. 37-00054

(Kg.0,203)

Cardine base piana inox L=82 - 13mm.

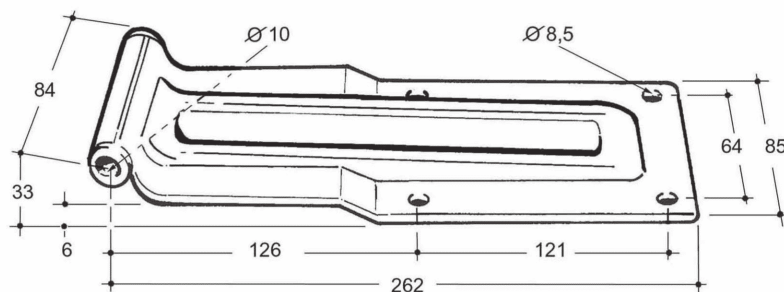
Stainless steel flat bracket L=82 - 13 mm.



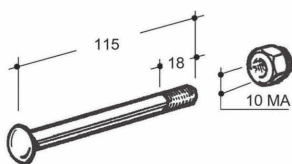
(con perno e dado / with pin e self-locking nut)

Cerniere per porte posteriori

Rear door hinges

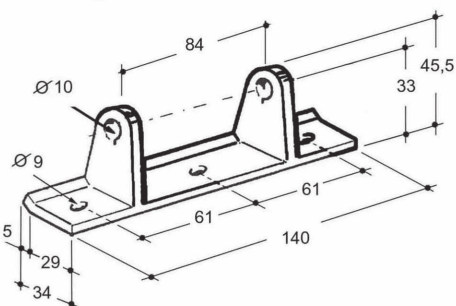


Art. 37-00068 (kg. 1,100)
Cerniera inox L=262
Stainless steel hinge L=262



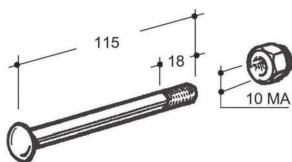
Art. 37-00070
Cardine base piana inox L=140 - 34mm.
Stainless steel flat bracket L=140 - 34 mm.

(Kg. 0,353)



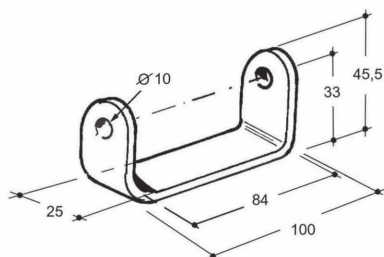
Art. 37-00070/Z
Cardine base piana zincata L= 140 - 34mm.
Galvanized flat bracket L=140 - 34mm.

(con perno e dado / with pin e self-locking nut)



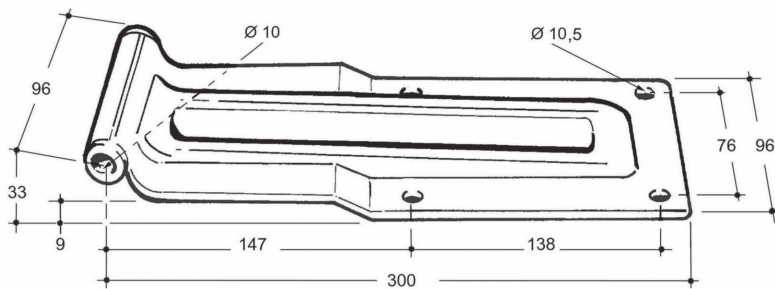
Art. 37-00072 (Kg.0,327)
Cardine base piana inox L= 100 - 25mm.
Stainless steel flat bracket L=100 - 25mm.

(con perno e dado / with pin e self-locking nut)

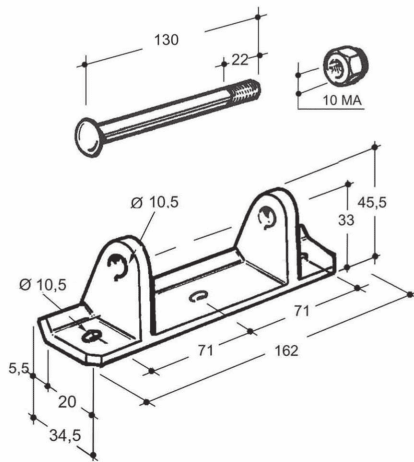


Cerniere per porte posteriori

Rear door hinges

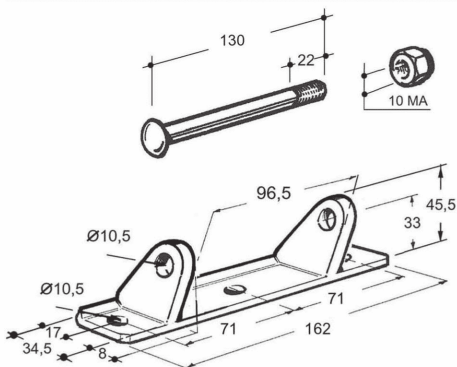


Art. 37-00074 (Kg. 1,100)
Cerniera inox L=300
Stainless steel hinge L=300



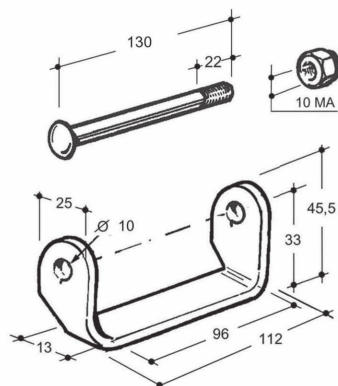
Art. 37-00076 (Kg.0,430)
Cardine base piana inox L=162 - 34,5mm.
Stainless steel flat bracket L=162 - 34,5 mm

(con perno e dado / with pin e self-locking nut)

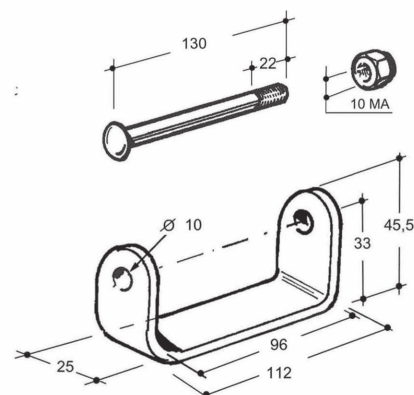


Art. 37-00078 (Kg.0,450)
Cardine base piana disassata inox L=162 - 34,5mm.
Stainless steel inclined flat bracket L=162 - 34,5mm.

(con perno e dado / with pin e self-locking nut)



Art. 37-00080 (Kg.0,306)
Cardine base piana inox L=112 - 13mm.
Stainless steel flat bracket L=112 - 13 mm.

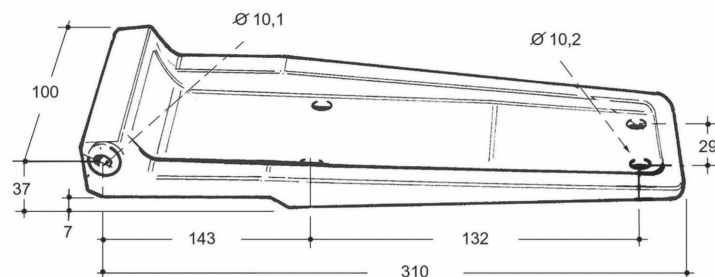


Art. 37-00082 (Kg.0,380)
Cardine base piana inox L=112 - 25mm.
Stainless steel flat bracket L=112 - 25mm.

(con perno e dado / with pin e self-locking nut)

Cerniere per porte posteriori

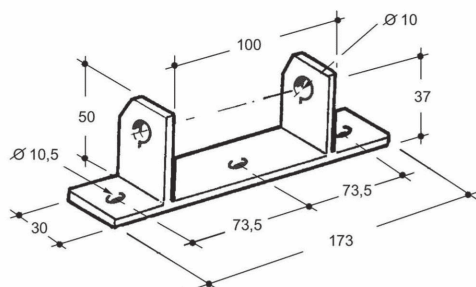
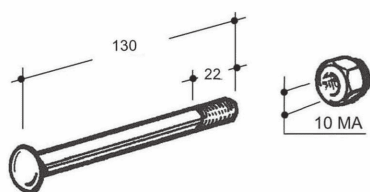
Rear door hinges



Art. 37-00096

(Kg. 1,010)

Cerniera inox L=310
Stainless steel hinge L=310

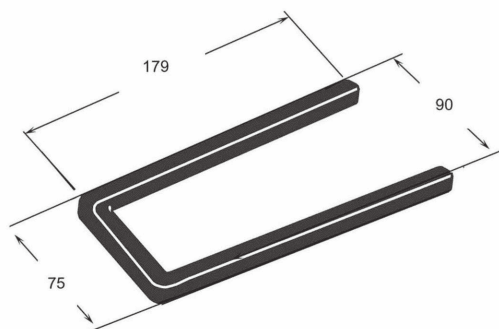


Art. 37-00099

(Kg.0,443)

Cardine base piana inox L=173 - 30mm.
Stainless steel flat bracket L=173 - 30 mm.

(con perno e dado / with pin e self-locking nut)



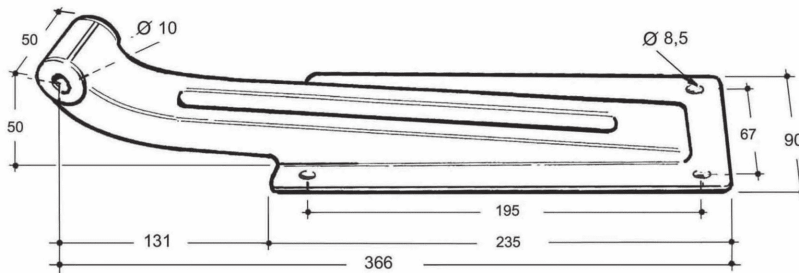
Art. 37-00097

(Kg.0,060)

Guarnizione PVC nera per cerniera art. 37-00096
Black PVC sealing for hinge art. 37-00096

Cerniere per porte posteriori

Rear door hinges



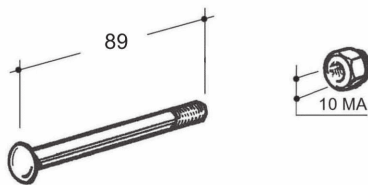
Art. 37-00101

Cerniera inox L=366
Stainless steel hinge L=366

(kg. 1,100)

Art. 37-00102

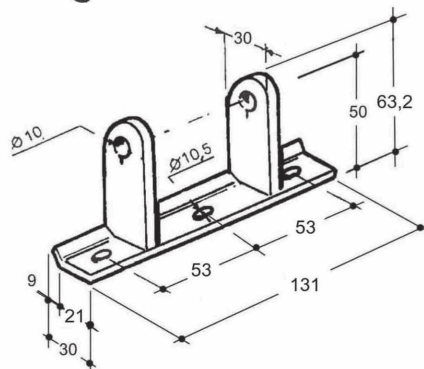
Cerniera zincata L=366
Galvanized hinge L=366



Art. 37-00105

Cardine base piana inox L=131 - 30mm.
Stainless steel flat bracket L=131 - 30mm.

(Kg.0,340)



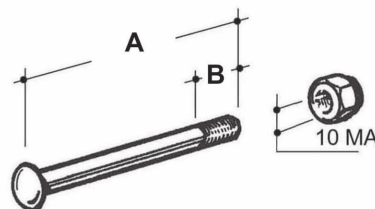
Art. 37-00106

Cardine base piana zincato L=131 - 30mm.
Galvanized flat bracket L=131 - 30mm.

(con perno e dado / with pin e self-locking nut)

Perni per cardine base piana

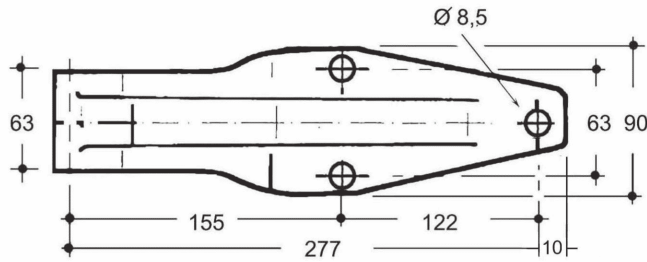
Pin for flat bracket



Art.	Perno / Pin	A	B	cardine base piana / for flat bracket
37-00057/Z	Zincato / Galvanized	90	16	37-00053
37-00057	Inox / Stainless Steel	90	16	37-00052 / 37-00054
37-00066/Z	Zincato / Galvanized	89		37-00106
37-00066	Inox / Stainless Steel	89		37-00105
37-00073/z	Zincato / Galvanized	115	18	37-00070/Z
37-00073	Inox / Stainless Steel	115	18	37-00070 / 3700072
37-00100	Inox / Stainless Steel	130	22	37-00076 / 37-00078 / 3700080
37-00058	Dado autobloccante inox D.10ma per perni / S.s. self-locking nut D.10ma for pin			

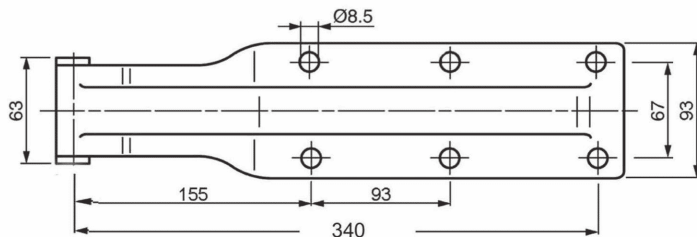
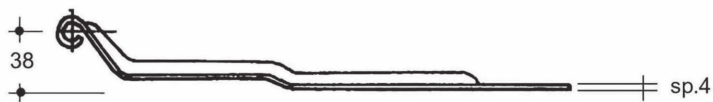
Cerniere per porte posteriori

Rear door hinges



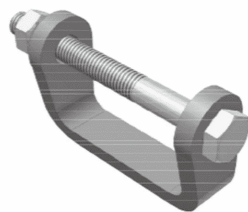
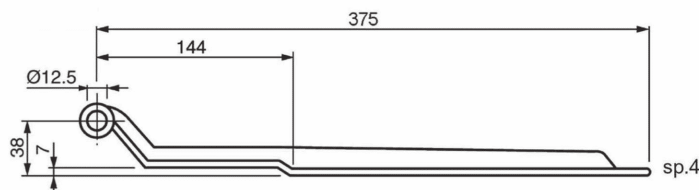
Art. 37-00160 (Kg.0,700)

Cerniera RIVER piccola zincata L=277
Galvanized small "River" hinge L=277



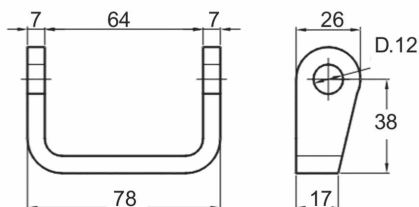
Art. 37-00161 (Kg.1,020)

Cerniera RIVER grande zincata L=340
Galvanized big "River" hinge L=340



Art. 37-00162 (Kg. 0,156)

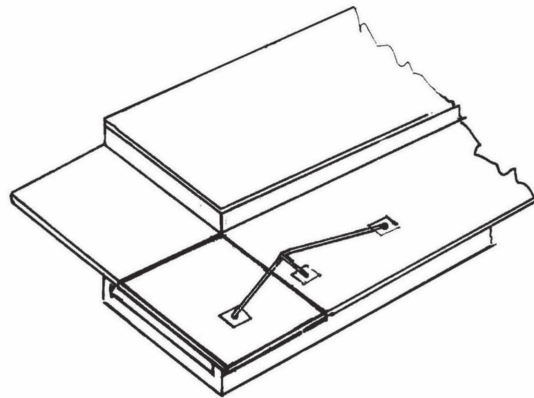
Cardine per cerniere RIVER grezzo
Raw bracket for "River" hinges



(con perno e dado / with pin e self-locking nut)

Cerniera per sollevamento

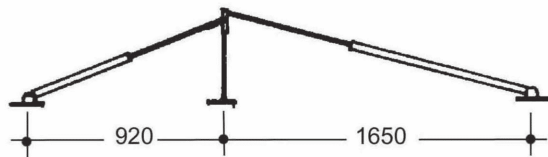
Lifting hinge



Art. 37-00180

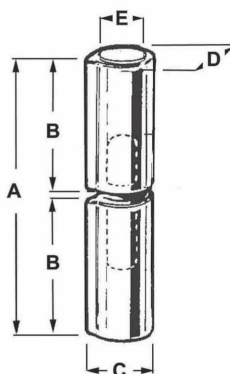
(Kg. 1,930)

Cerniera inox per sollevamento prolungato su furgoni e negozio
Stainless steel lifting hinge for vans



Cerniere con perno zincato

Hinges with galvanized pin



ART.	A	B	C	D	E	KG
37-00190	60	27	12	10	6	0,037
37-00191	80	37	17	12	8	0,080

Cerniere con perno in ottone

Hinges with brass pin

ART.	A	B	C	D	E	KG
37-00192	120	55	19	16	9	0,172

