

**Accessori per
furgoni**

**Accessories for
vans**

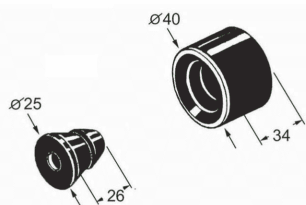
39



RE-ALL

Fermaporte e accessori

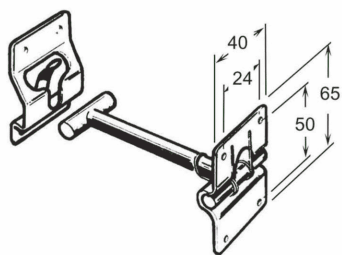
Door retainers and accessories



Art. 39-00000

(Kg.0,050)

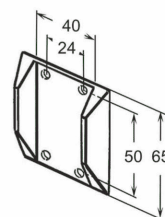
Ferma porta completo PVC e Gomma
Complete door retainer in PVC



Art. 39-00001

(Kg. 0,121)

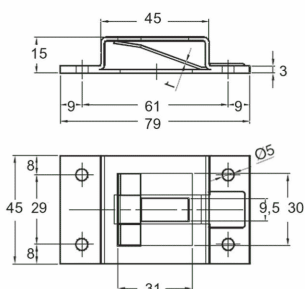
Fermaporta completo zincato
Galv. plated complete door retainer



Art. 39-00004

(Kg. 0,007)

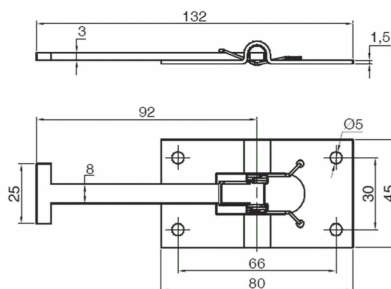
Protezione per fermaporta in PVC per art. 39-00001
PVC protection plate for art. 39-00001



Art. 39-00002

(Kg.0,144)

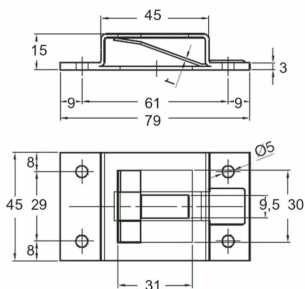
Ferma porta completo zincato
Galv. plated complete door retainer



Art. 39-00005

(Kg.0,013)

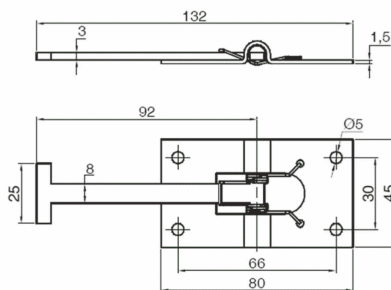
Protezione per fermaporta in PVC per art. 39-00002 / 39-00003
PVC protection plate for art. 39-00002 and 39-00003



Art. 39-00003

(Kg. 0,127)

Fermaporta completo inox
S.s. complete door retainer



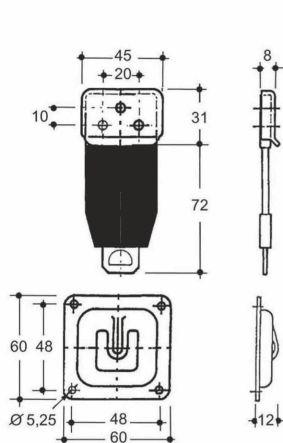
Art. 39-00005

(Kg.0,013)

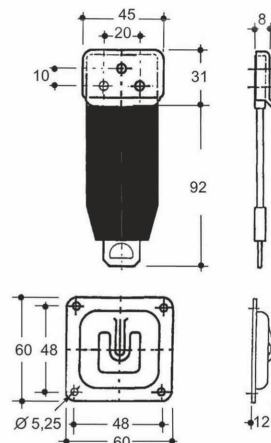
Protezione per fermaporta in PVC per art. 39-00002 / 39-00003
PVC protection plate for art. 39-00002 and 39-00003

Fermaporte e accessori

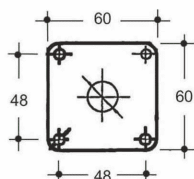
Door retainers and accessories



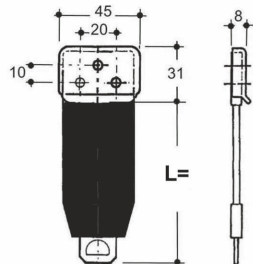
Art. 39-00007 (Kg.0,118)
Fermaporta completo inox e poliuretano L= 72
Complete door retainer S.s. and polyurethane L=72



Art. 39-00006 (Kg.0,122)
Fermaporta completo inox e poliuretano L= 92
Complete door retainer S.s. and polyurethane L=92

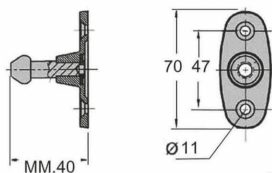


Art. 39-00008 (Kg.0,019)
Contropiastra per fermaporta per art.39-00006 e 39-00007
Plate for female part of door holder for art. 39-00006 and 39-00007



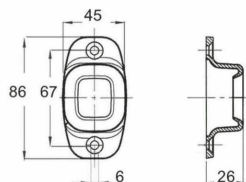
Art. 39-00007/B (Kg.0,053)
Parte maschio in poliuretano c/piastrina L=72
Male part of door retainer in polyurethane L=72

Art. 39-00006/B (Kg.0,057)
Parte maschio in poliuretano c/piastrina L=92
Male part of door retainer in polyurethane L=92

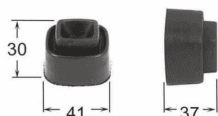


Perno ottone nichelato
Nickel-plated brass pin

Art.	L.	Kg
39-00009	30	0,042
39-00028	40	0,046
39-00010	50	0,055
39-00011	80	0,074



Art. 39-00012 (Kg.0,040)
Portagomma in alluminio per perni ottone nichelato
Aluminium seal holder for all nickel-plated brass pins

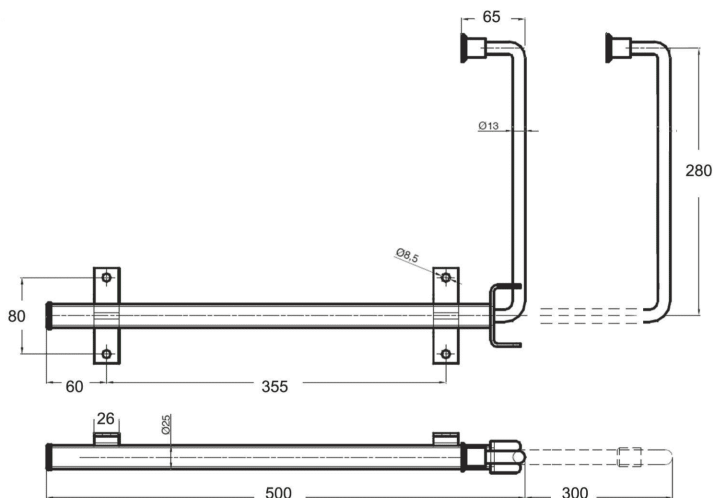


Art. 39-00013 (Kg.0,030)
Tassello fermaporta in gomma per perni ottone nichelato
Rubber door stay block for all nickel-plated brass pins

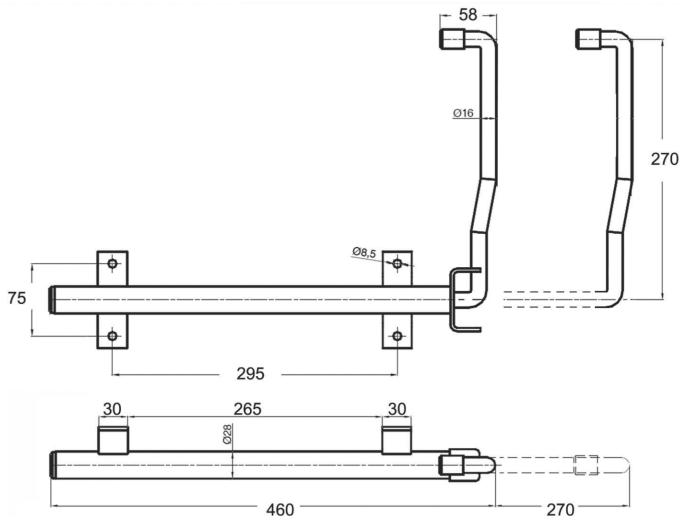
Fermaporte e accessori

Door retainers and accessories

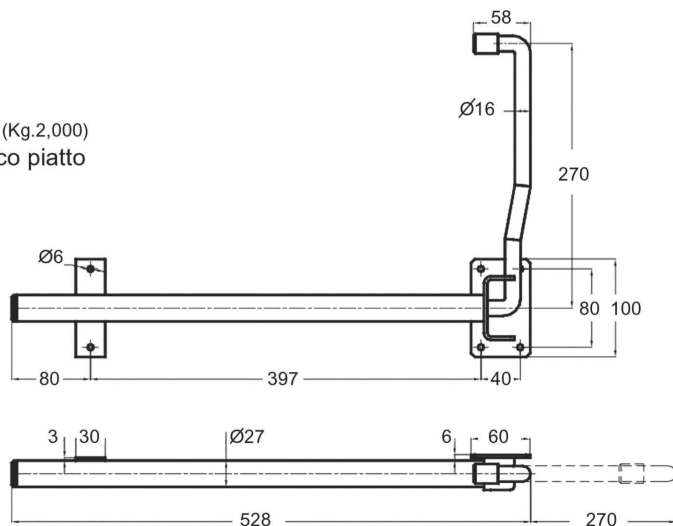
Art. 39-00014 (Kg.2,075)
 Ferma porta a tubo inox
 S.s. under chassis door retainer

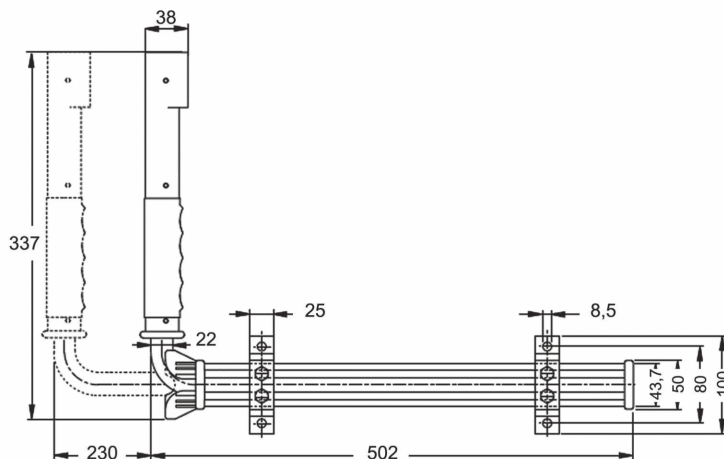


Art. 39-00015 (Kg.2,047)
 Ferma porta a tubo zincato
 Galv. under chassis door retainer



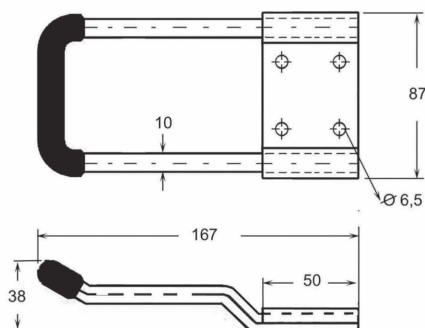
Art. 39-00050 (Kg.2,000)
 Ferma porta sottotelaio zincato con attacco piatto
 Galv. Door retainer with plate supports



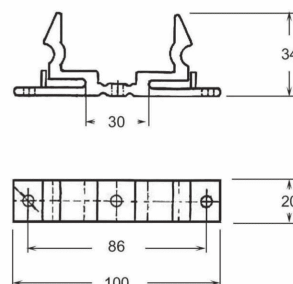
Fermaporte e accessori**Door retainers and accessories**

Art. 39-00026 (Kg.1,810)
 Ferma porta in alluminio a tubo inox
*Aluminium under chassis door retainer
 with stainless steel tube*

Art. 39-00027 (Kg.1,802)
 Ferma porta in alluminio a tubo zincato
*Aluminium under chassis door retainer
 with zinc plated tube*

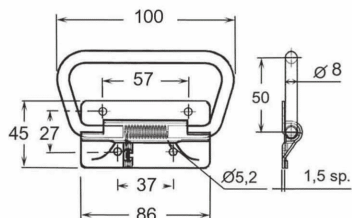
Maniglia e ferma maniglia sportelli**External handle and black plastic latch**

Art. 39-00038
 Maniglia esterna inox per sportelli c/ricopertura
Stainless steel external handle
 (Kg.0,360)



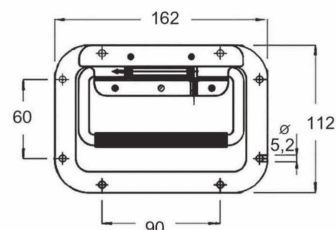
Art. 39-00039
 Ferma maniglia nero in plastica per art. 38-00240
Black plastic latch for art. 38-00240
 (Kg.0,020)

Maniglie / Handles

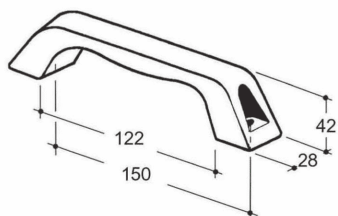


Art. 39-00020 (Kg.0,127)
Maniglia aprisponda inox / S.s. door pull handle

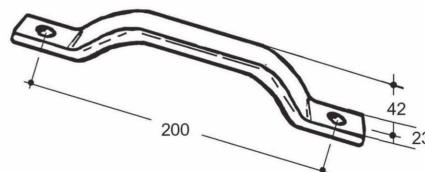
Art. 39-00021 (Kg.0,143)
Maniglia aprisponda zinc. / Galv. door pull handle



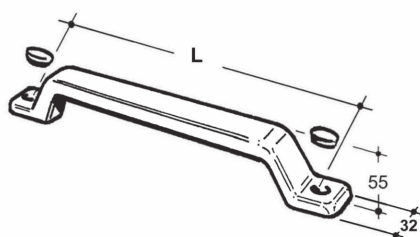
Art. 39-00022 (Kg.0,389)
Maniglia da incasso inox con molla di ritorno
S.s. flush-mounted handle with return spring



Art. 39-00019 (Kg.0,460)
Maniglia di salita L=150 inox
S.s. climb-up handle L=150

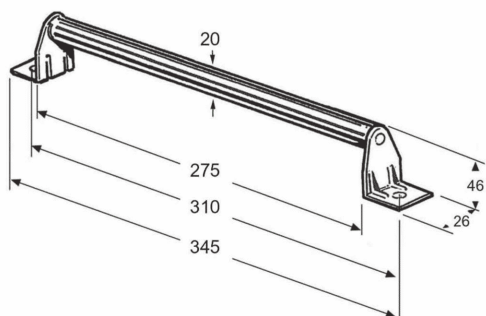


Art. 39-00023/F (Kg.0,040)
Maniglia di salita L=200 PVC nero
Black PVC climb-up handle L=200

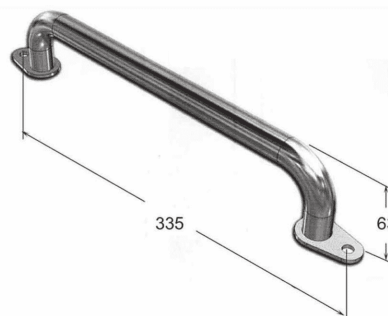


Art. 39-00024 (Kg.0,300)
Maniglia di salita L=250 PVC nero
Black PVC climb-up handle L= 250

Art. 39-00024/F (Kg.0,262)
Maniglia di salita L=220 PVC nero
Black PVC climb-up handle L=220



Art. 39-00025 (Kg.0,370)
Maniglia di salita L=310 inox
S.s. climb-up handle L=310



Art. 39-00025/F (Kg.0,200)
Maniglia di salita L=335 inox
S.s. climb-up handle L=335

Aste ferma carico verticali**Vertical Cargo restraint bars**

Lunghezza = Minimo 2350 mm. Massimo 2720 mm.

Art. 39-00029

(Kg.6,000)

Asta ferma carico zincata verticale (Ø 38)

Galvanized vertical cargo restraint bar equipped with spring from 2.350 to 2.720 mm

Art. 39-00030/Z

(Kg.6,000)

Asta ferma carico zincata verticale (Ø.42)

Galvanized vertical cargo restraint bar equipped with spring from 2.350 to 2.720 mm

Art. 39-00030

(Kg.4,800)

Asta ferma carico in alluminio verticale (Ø.42)

Aluminium vertical cargo restraint bar equipped with spring from 2.350 to 2.720 mm



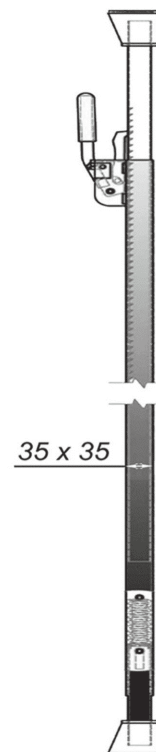
Lunghezza = Minimo 1938 mm. Massimo 2890 mm.

Art. 39-00029T

Palo Totem fermacarico verticale zincato (35 x 35)

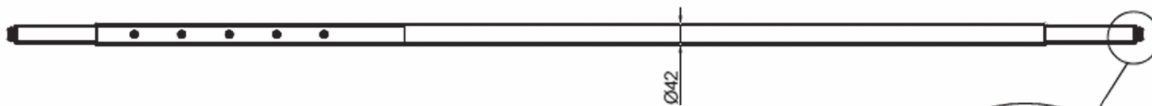
Galv. Totem vertical load lock bar (35 x 35)

(Kg. 6,000)

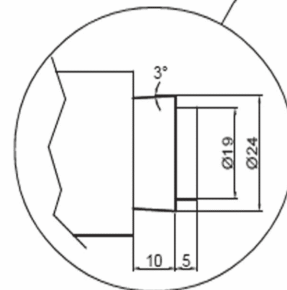


Aste ferma carico orizzontale

Horizontal Cargo restraint bars



Lunghezza = Minimo 2360 mm.
Massimo 2760 mm.



Art. 39-00031

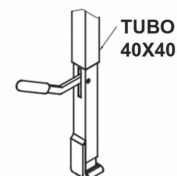
(Kg. 9,300)

Asta ferma carico zincata orizzontale

Galvanized horizontal round cargo restraint bar from 2.360 to 2.760



Lunghezza = Minimo 1880 mm.
Massimo 2880 mm.

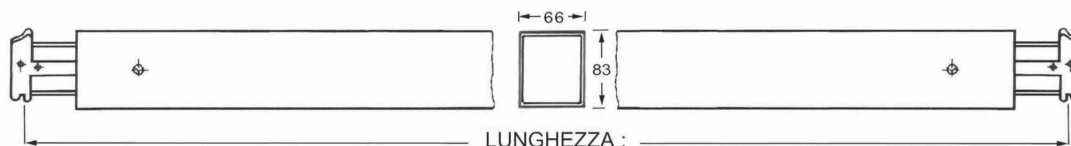


Art. 39-00047

(Kg. 7,500)

Asta ferma carico zincata orizzontale telescopica per sponde da 25mm.

Galvanized shoring load lock bar type "Scout" for side boards 25mm.



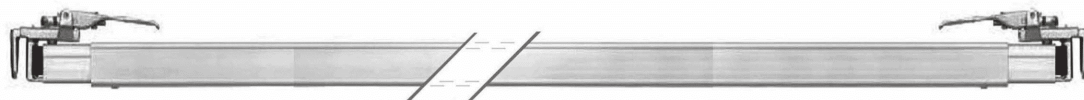
Lunghezza = Minimo 2290 mm. Massimo 2570 mm.

Art. 39-00032

(Kg.9,700)

Barra portante per secondo piano in alluminio portata kg.1000

Adjustable supporting bars for aluminium decking (max load capacity 1.000 Kg.)

Aste ferma carico**Cargo restraint bars**

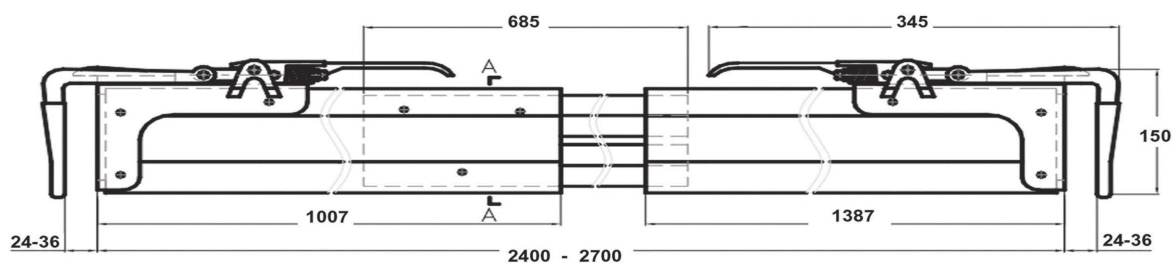
Lunghezza = Massimo 2520 mm.

Art. 39-00033A

(Kg.6,500)

Asta ferma carico con pinze

Horizontal cargo restraint bar to fix on dropsides with pliers



Lunghezza = Minimo 2400 mm. Massimo 2700 mm.

Art. 39-00033R

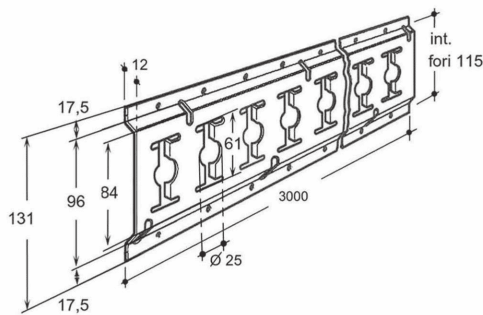
(Kg.10,500)

Asta ferma carico registrabile con pinze

Horizontal cargo restraint bar to fix on dropsides with adjustable pliers

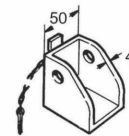
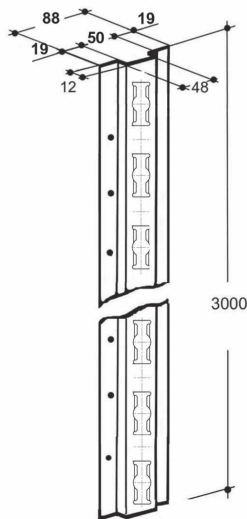
Bandelle ferma carico

Cargo restraint profiles

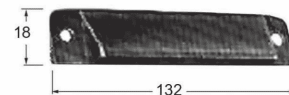


Bandella ferma carico orizzontale Horizontal grooved profiles

Art.	L.	Tipo - Type	Kg
39-00034	3000	zincata - galvanized	6,500
39-00035	3000	alluminio - aluminium	3,000
39-00036	3000	inox - S.s.	5,000

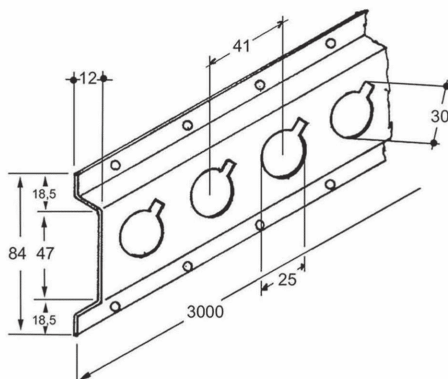


Art. 39-00049 (Kg.0,400)
Mensole supporto per piani intermedi da agganciare alle bandelle Decking brackets (39-00034/35/36/37)

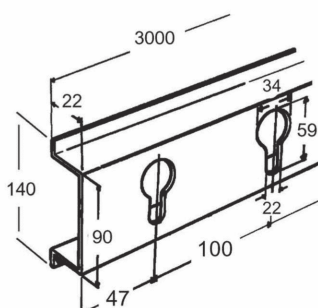


Art. 39-00037 (Kg.4,500)
Bandella ferma carico zincata L=3000 verticale Galvanized vertical grooved profile L=3000

Art. 49-00044 (Kg.0,012)
Terminale plastica nera (39-00034/35/36) Black plastic endpiece (39-00034/35/36)



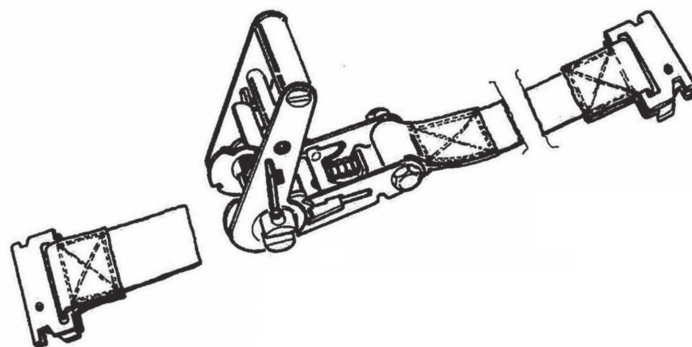
Art. 39-00048 (Kg.3,500)
Bandella ferma carico zincata L=3000 con fori Galvanized horizontal grooved profile L=3000



Art. 39-00060 (Kg.5,000)
Bandella per trasporto confez. zincata con asole a pera L = 3000 Clothing rack profile in zinc plated steel with drawn hole L=3000

Cinghie ferma carico

Cargo control straps



TENDEX

Cinghia ferma carico con tendex e cricchetto
Belt with tensor and locking with tendex

Art.	kg.	mm.	L.	Kg
39-00040	1000	25	4000	0,560
39-00041	2500	35	4000	1,300
39-00042	2500	50	6000	1,800
39-00043	Tendex			0,094

GANCIO
SPONDA
Cinghia ferma carico con gancio sponda e cricchetto
Belt with tensor and locking with tendex

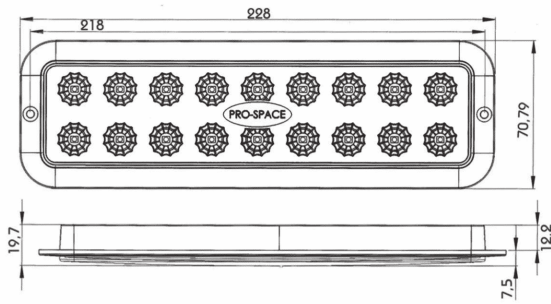
Art.	kg.	mm.	L.	Kg
39-00044	1000	25	4000	0,543
39-00045	2500	35	6000	1,375
39-00046	5000	50	6000	2,165

GANCIO
TONDINO
Cinghia ferma carico con gancio tondino e cricchetto
Belt with tensor and locking with hook

Art.	kg.	mm.	L.	Kg
39-00054	1000	25	4000	0,387
39-00055	2500	35	6000	1,525
39-00056	5000	50	6000	2,238

Accessori per furgoni

Accessories for vans

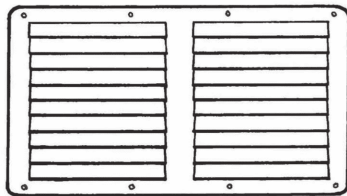


Art. 39-00099/12 (Kg.0,156)
Plafoniera incassata a led 12volt rettangolare
Recessed ceiling led light 12volt rectangular

Art. 39-00099/24 (Kg.0,156)
Plafoniera incassata a led 24volt rettangolare
Recessed ceiling led light 24volt rectangular

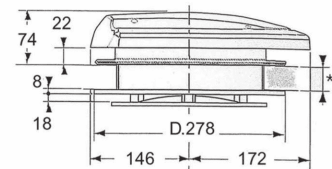
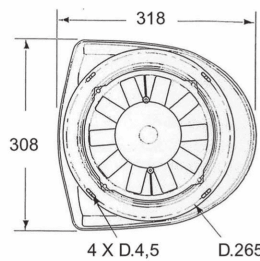
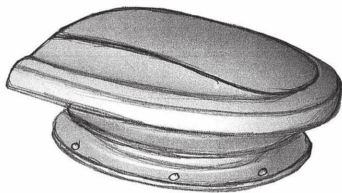


Art. 39-00105 (Kg.0,420)
Plafoniera incassata a led D.218 12/24 volt rotonda
Recessed ceiling led light D.218 12/24 volt round



Art. 39-00101 (Kg.0,243)
Griglia di aerazione in allum. 400x220
Bare aluminium aeration grill 400x220

Art. 39-00102 (Kg.0,314)
Griglia di aerazione in allum. 510x220
Bare aluminium aeration grill 510x220



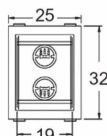
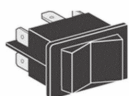
2 sensi di marcia capacità 670 M³/H

2 directions of traffic - capacity 670 M³/H

Art. 39-00103/12
Aspiratore elettrico 12volt
Complete aerator kit 12volt

(Kg.3,575)

Art. 39-00103/24
Aspiratore elettrico 24volt
Complete aerator kit 24volt



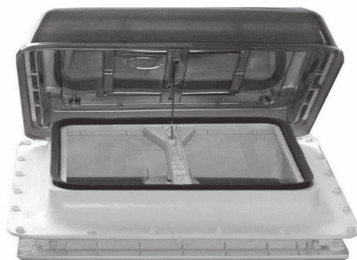
Art. 39-00103/IN
Interruttore per aspiratore elettrico
39-00103/12 e 39-00103/24

Switch for complete aerator kit 12 and 24

Accessori per furgoni

Accessories for vans

Ingombro oblò aperto mm. 400
Ingombro oblò chiuso mm. 130



Footprint porthole open 400 mm.
Footprint porthole open 130 mm.

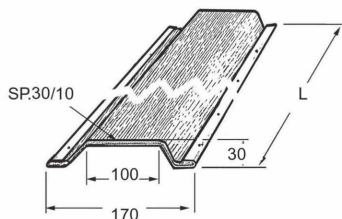
Art. 39-00122

Oblò apribile 400 x 400 bianco
Opening porthole white 400 x 400

(Kg.3,500)

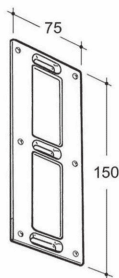
Art. 39-00123

Oblò apribile 400 x 400 trasparente
Opening porthole transparent 400 x 400

**Art. 39-00124**

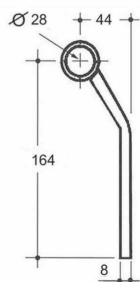
Bandella zinc.rivestita in moquette paracolpi L=5000
Zinc plated profile covered with carpet bumpers L=5.000

A richiesta / On demand

**Art. 39-00016**

Aggancio fune per furgoni Pal-kit
Rope guide for Pal-kit vans

(Kg.0,033)

**Art. 39-00018**

Tappo in pvc nero per tubo D.27
PVC end cap for tube D.27

(Kg.0,004)

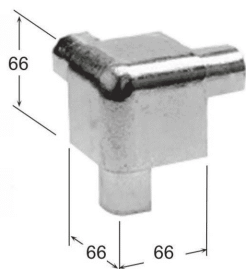
**Art. 39-00017**

Supporto inox laterale per tubo D.27 S.steel bracket for tube D. 27

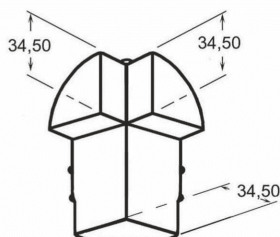
(Kg.0,370)

Accessori per furgoni

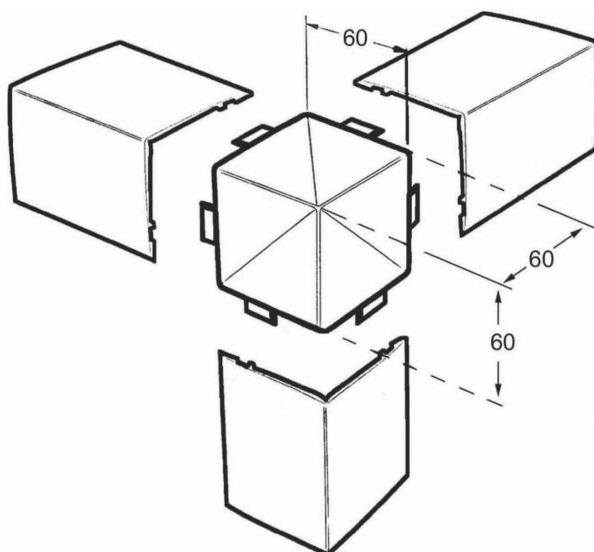
Accessories for vans



Art. 39-00129/N (Kg.0,186)
 Cantonale superiore per furgoni
 per prof. 21-00020 (new)
Higher corner for profile 21-00020

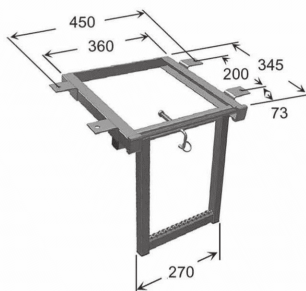


Art. 39-00125 (Kg.0,330)
 Cantonale superiore per prof.21-00021
Superior corner for profile 21-00021

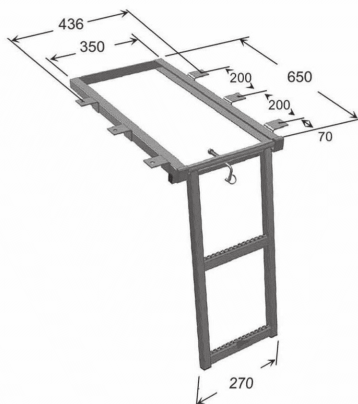


Art. 39-00128 (Kg.0,095)
 Cantonale superiore per furgoni isothermico
 per profilo 21-00043
*Higher corner for isothermic van for
 profile 21-00043*

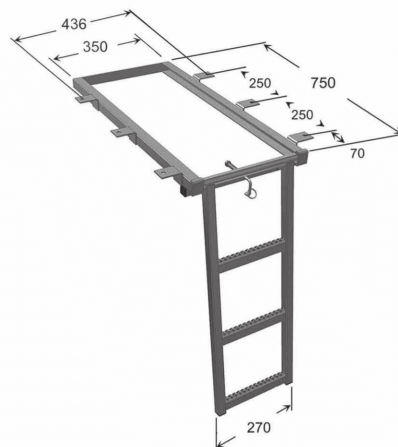
Scalette / Ladders



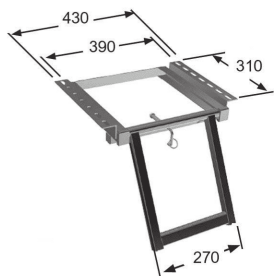
Art. 39-00080 (Kg.3,900)
Scaletta sfilabile zinc. (1gradino)
Zinc plated steel sliding ladder
(1step)



Art. 39-00081 (Kg.5,500)
Scaletta sfilabile zinc. (2gradini)
Zinc plated steel sliding ladder
(2steps)



Art. 39-00083 (Kg.6,300)
Scaletta sfilabile zinc. (3gradini)
Zinc plated steel sliding ladder
(3steps)



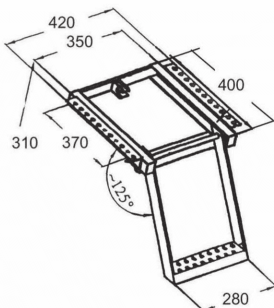
Art. 39-00080/R (Kg.4,980)
Scaletta sfilabile rinforzata
zinc. (1gradino)
Zinc plated steel sliding
reinforced ladder (1step)



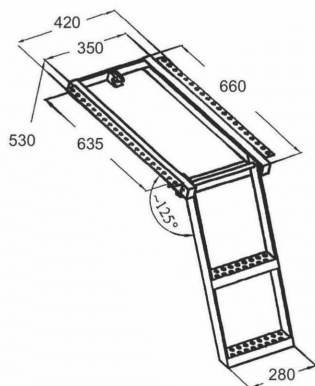
Art. 39-00081/R (Kg. 7,420)
Scaletta sfilabile rinforzata
zinc. (2gradini)
Zinc plated steel sliding
reinforced ladder (2step)



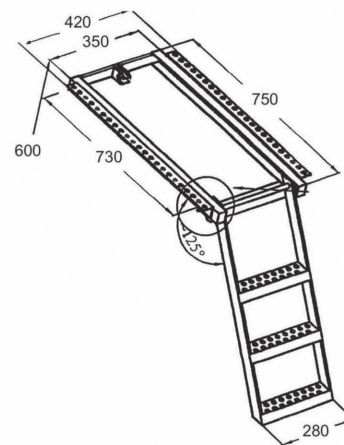
Art. 39-00083/R (Kg.9,000)
Scaletta sfilabile rinforzata
zinc. (3gradini)
Zinc plated steel sliding
reinforced ladder (3step)



Art. 39-00080/RI (Kg.4,985)
Scaletta sfilabile rinforzata
inox (1gradino)
S.s. plated steel sliding
reinforced ladder (1step)

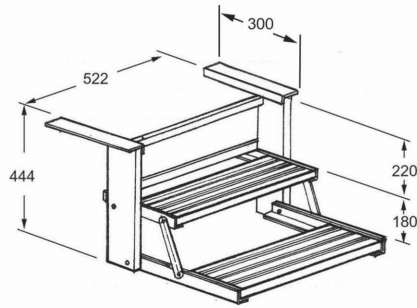


Art. 39-00081/RI (Kg.7,537)
Scaletta sfilabile rinforzata
inox (2gradini)
S.s. plated steel sliding
reinforced ladder (2step)

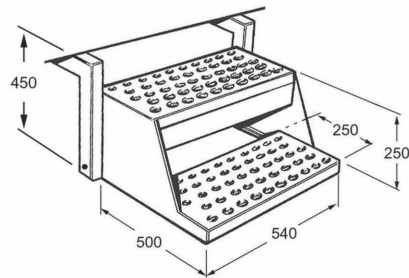


Art. 39-00083/RI (Kg.7,830)
Scaletta sfilabile rinforzata
inox (3gradini)
S.s. plated steel sliding
reinforced ladder (3step)

Scalino di salita <i>Plated step</i>	Art.	Descrizione / description	H	L	Kg
	39-00084	Zincato a caldo - Hot Galvanized	240	405	1,250
	39-00084/F	Zincato a freddo - Cold galvanized	240	405	1,250
	39-00084/I	Inox - Stainless steel	240	405	1,250
	39-00085	Zincato a caldo - Hot Galvanized	370	420	1,442



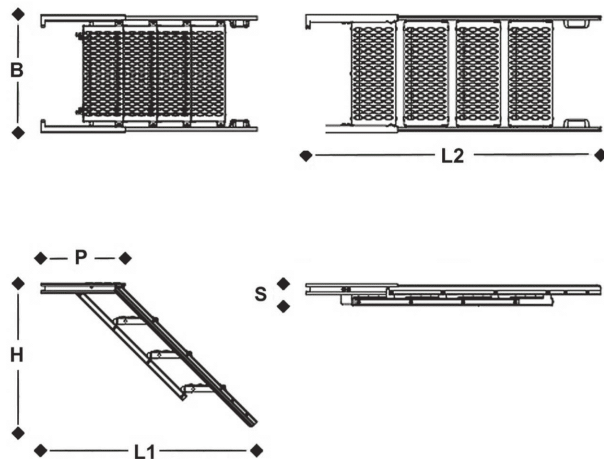
Art. 39-00086 (Kg.9,000)
Scaletta 2 gradini ribaltabile allum.anodiz.
Folding extractable overturning 2steps (anod.alumin.)



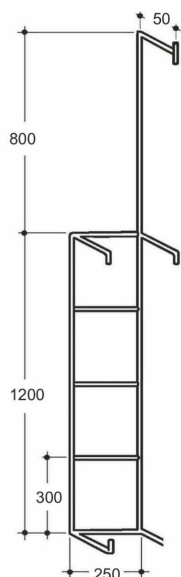
Art. 39-00087 (Kg.14,500)
Scaletta 2 gradini girevoli zincata
Zinc plated revolving ladder-2 steps

Scalette estraibili in alluminio

Aluminum pullout ladders



Articolo	gradini	L1	L2	P	B	H	S	Kg
39-00093/T	3	1092	1324	500	644	664	118	12.02
39-00095/T	4	1293	1609	500	644	864	118	14.84
39-00096/T	5	1493	1894	500	644	1067	118	17.66
39-00097/T	6	1696	2179	500	644	1268	118	20.48

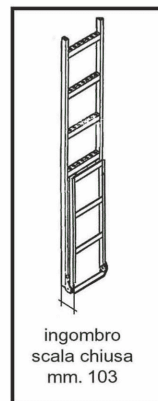
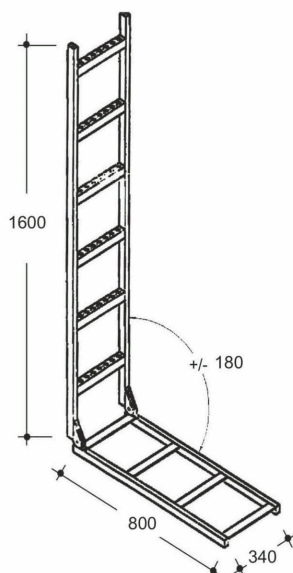
**Art. 39-00090**

Scaletta ispezione gruppo frigo zincata DX
Zinc plated inspection ladder - Right

(Kg.4,500)

Art. 39-00091

Scaletta ispezione gruppo frigo zincata SX
Zinc plated inspection ladder - Left



ingombro
scala chiusa
mm. 103

Art. 39-00094

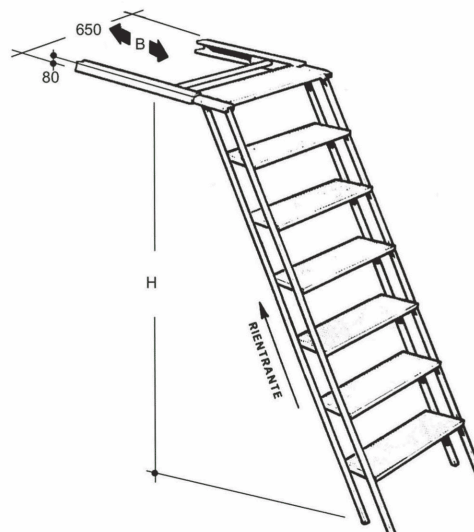
(Kg.11,000)

Scaletta per carri agricoli zinc.girevole a 10 gradini
Zinc plated revolving ladder - 10 steps

Scala retrattile a misura su richiesta
(guide in ferro zincato e gradini in alluminio)

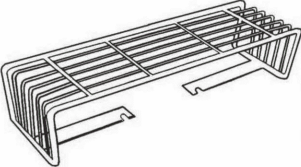
Extractable ladder made to measure on request
(galvanized iron guides and aluminum steps)

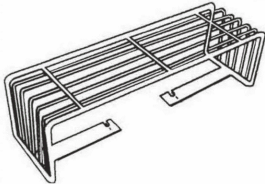
ART.	Gradini Steps	H.	B	Kg.
39-00095	4	800 - 850	1595	32,00
39-00096	5	850 - 1000	1880	39,50
39-00097	6	1000 - 1200	2165	43,00
39-00098	7	1340 - 1450	2450	48,00

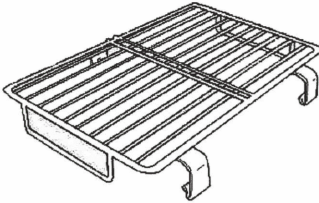


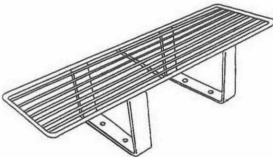
Griglie parasassi

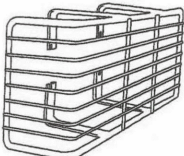
Protective grills for rear lights

	Art.	Tipo Type	Dim.	Kg
	39-00107	Mit Kanter	380 x 145	0,850
	39-00113	Mercedes sprinter	515 x 145	1,540
	39-00114	Mercedes unificato	580 x 160	1,940
	39-00115	Volvo	500 x 125	0,885
	39-00116	Man 90	360 x 150	0,900
	39-00120	Mercedes Atego	500 x 160	1,430
	39-00121	Nissan trade	360 x 150	1,070
39-00132	Renault S120 - S150	270 x 87	0,230	

	Art.	Tipo Type	Dim.	Kg
	39-00111/17	Ford Transit 2017	420 x 130	0,760
	39-00133/18	Renault master 2018	390 x 140	0,960
	39-00138/dx	Mercedes sprinter 2006	440 x 160	1,070
39-00138/sx	Mercedes sprinter 2006	440 x 160	1,070	

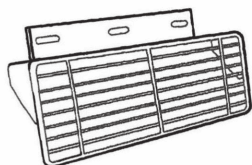
	Art.	Tipo Type	Dim.	Kg
	39-00106	Cabstar nissan	370 x 195	0,690
	39-00110	New daily - City daily	330 x 195	0,640
	39-00135	Mascot	320 x 195	0,490
39-00137	Eurostar - Cargo	500 x 195	0,810	

	Art.	Tipo Type	Dim.	Kg
	39-00130	Scania 4° serie	525 x 150	1,180
	39-00139/IN	Daily 2006 allogg.int.	355 x 150	0,904

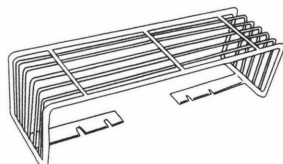
	Art.	Tipo Type	Dim.	Kg
	39-00108	Daily 2009	375 x 195	1,100

Griglie parasassi

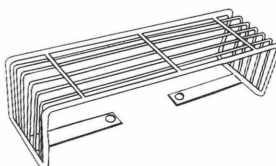
Protective grills for rear lights



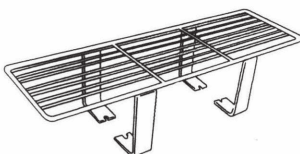
Art.	Tipo Type	Dim.	Kg
39-00109	Isuzu	350 x 145	1,040



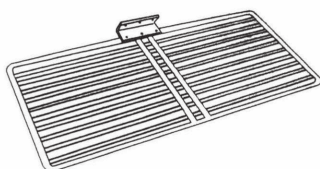
Art.	Tipo Type	Dim.	Kg
39-00111	Ford Transit 2006	410 x 130	0,740



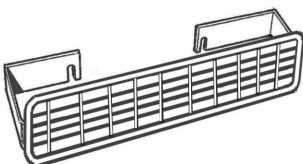
Art.	Tipo Type	Dim.	Kg
39-00111/N	Ford Transit 2014	420 x 130	0,740



Art.	Tipo Type	Dim.	Kg
39-00112	Eurotrakker	470 x 150	1,225



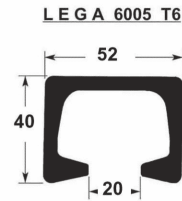
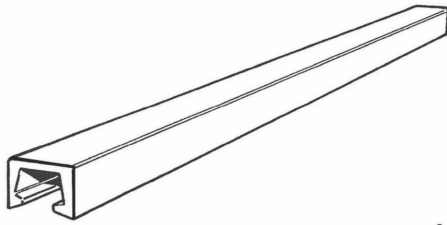
Art.	Tipo Type	Dim.	Kg
39-00118	Fiat 190 - Eurocargo	430 x 195	0,665



Art.	Tipo Type	Dim.	Kg
39-00133	Renault Premium	515 x 140	1,545

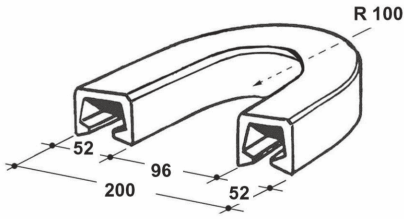
Trasporto carne

Meat transport with rail system



Art. 21-00046

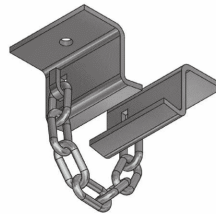
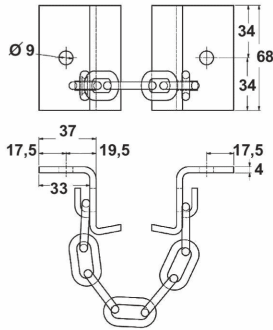
Profilo guidovia a "C" da 52x40 in all.anod. (L=7,500 mt.) (Kg./ml.2,136)
 Guideway profile in anodized aluminum to "C" 52 x 40 (L=7,500 mt.)



Art. 39-00142

Curva in alluminio per guidovia profilo 21-00046
 Aluminium bend for art. 21-00046

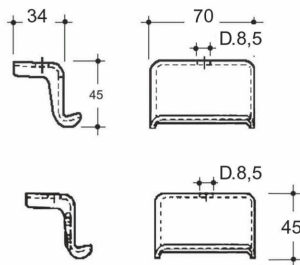
(Kg.0,590)



Art. 39-00143

Coppia staffe inox con catena per bloccaggio guidovie
 S.s.set of brackets for blocking guide rack with hook stop chain

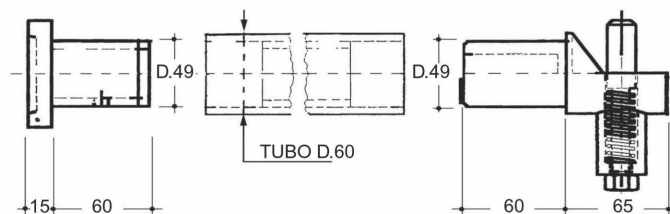
(Kg.0,365)



Art. 39-00144

Coppia staffe inox senza catena per bloccaggio guidovie inox
 S.s.set of brackets for blocking guide rack without chains

(Kg.0,260)



Art. 39-00148

Terminale anteriore all./anod. D.49 Tubo da 60
 Anodized alumin.front endpiece D.49-tube D.60

(Kg.0,290)

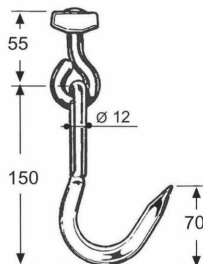
Art. 39-00149

Terminale posteriore all./anod. D.49 Tubo da 60
 Anodized alumin.rear endpiece D.49-tube D.60

(Kg.0,740)

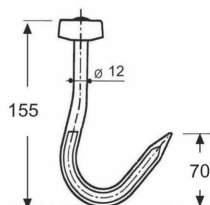
Trasporto carne

Meat transport with rail system

**Art. 39-00145**

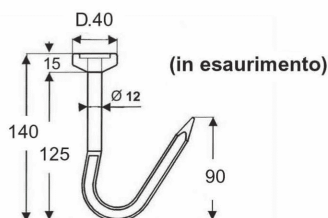
(Kg.0,400)

Gancio scorrevole e snodato inox per guidovia portata max Kg.695
 Stainless steel articulated hook (breaking load 695 Kg.)

**Art. 39-00146**

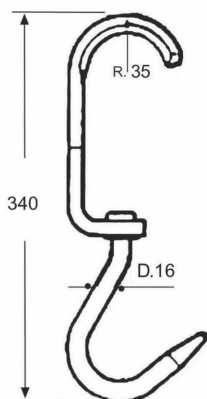
(Kg.0,215)

Gancio fisso inox H.155
 Stainless steel hook fixed

**Art. 39-00146/F**

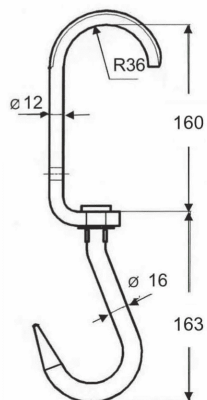
(Kg.0,215)

Gancio fisso inox H.140
 Stainless steel hook fixed

**Art 39-00147**

(Kg.1,350)

Eurogancio inox con supp.zinc.
 Stainless steel "eurohook" hook with zinc plated bracket

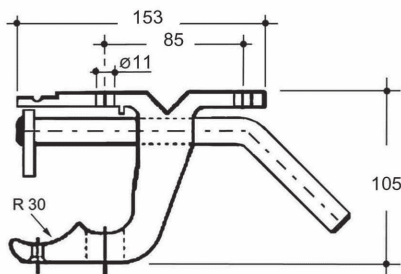
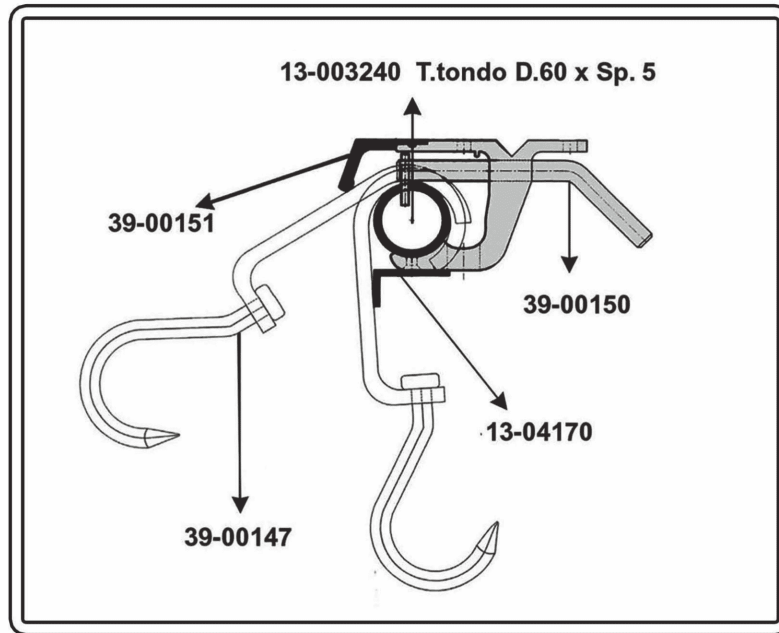
**Art. 39-00147/F**

(Kg.1,350)

Eurogancio inox con supporto
 Stainless steel "eurohook" hook with bracket

Trasporto carne

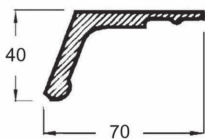
Meat transport with rail system



Art. 39-00150

(Kg.1,295)

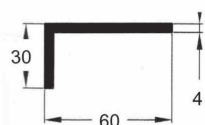
Supporto tubo in allum./anod.con fermaganci inox e perno
Anodized aluminium tube support with S.S.hook stop and pin



Art. 39-00151

(Kg.15,000)

Profilo fermaganci in allum./anod. L=7000 da incastrare al supporto art. 39-00150
Anodized aluminium hook stop profile L=7000 to be fitted under bracket item 39-00150



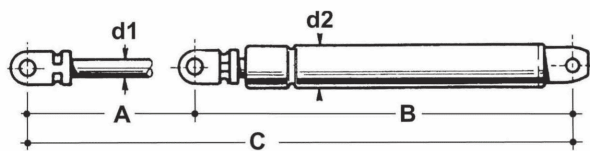
Art. 13-04170

(Kg./ml.0,928)

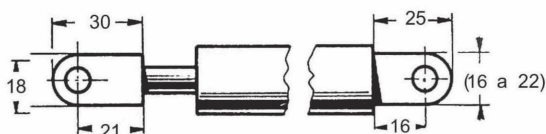
Angolare a lati disuguali 60 x 30 x 4 L=6000
Unequal angles 60 x 30 x 4 L=6000

Molle di compensazione a gas

Gas springs



Art	A	B	C	d1	d2	spinta (push) Kg./ml
39-00160	350	450	800	10	22	30
39-00161	150	250	400	10	22	40
39-00162	350	450	800	10	22	50
39-00163	350	450	800	10	22	70
39-00159	350	450	800	14	28	80
39-00164	350	450	800	14	28	100
39-00165	340	460	800	14	28	130
39-00166	340	460	800	14	28	150
39-00167	250	350	600	10	22	80
39-00168	335	465	800	14	28	200
39-00169	125	240	365	10	22	50
39-00170	45	140	185	6	15	10



Norme per la determinazione del nr. e della spinta delle molle da impiegare :

Rules for the determination of the nr. and the force of the springs to be used:

La formula per la determinazione della spinta delle molle in Kg. e' la seguente

The formula to be applied for the calculation of gas springs thrust pressure in kg. is the following :

$$\frac{G \times L \times S}{b} = F$$

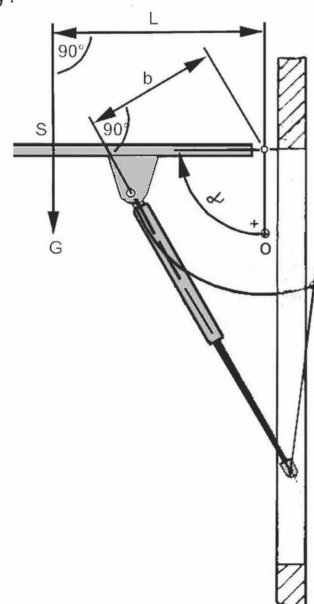
$$\frac{350 \times 500 \times 1,1}{200} = 963 \text{ N}$$

$$G = 350 \text{ N}$$

$$L = 500 \text{ mm}$$

$$S = 1,1$$

$$b = 200 \text{ mm}$$



Dati / Data :

F = Dati per la determinazione della spinta delle molle in Kg.
Data to be applied for the calculation of gas springs thrust pressure in kg.

G = Peso dello sportello / Door weight

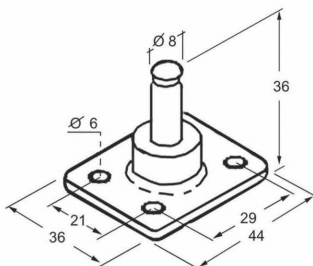
L = Lunghezza dello sportello : 2 / Length door : 2

S = 1,1 per eventuali attriti / 1,1 for any friction

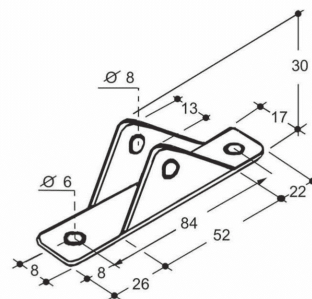
b = la distanza tra il punto di incernieramento dello sportello e quello di applicazione della molla a gas sullo sportello
Distance between the door hinging point and the gas spring fixing point onto the door

Attacchi per molle a gas

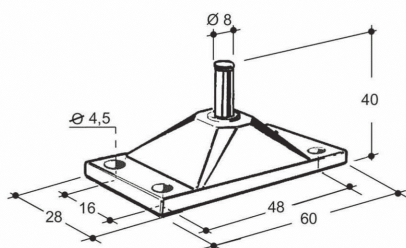
Bracket for gas spring



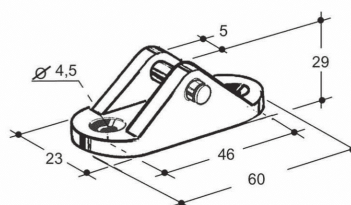
Art. 39-00171 (Kg.0,058)
 Attacco maschio grande zinc.
 per molla gas con foro D.8
*Galvanized male bracket
 for gas spring with D.8 mm.hole*



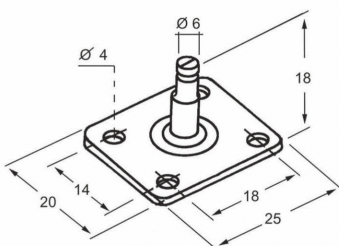
Art. 39-00172 (Kg.0,072)
 Attacco femmina grande zinc.
 per molla gas con foro D.8
*Galvanized female bracket
 for gas spring with D.8 mm. hole*



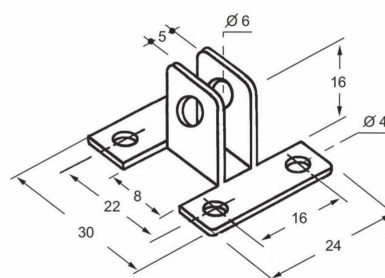
Art. 39-00173 (Kg.0,065)
 Attacco maschio piccolo allum.
 per molla gas con foro D. 8
*Aluminium male bracket
 for gas spring with D.8 mm hole*



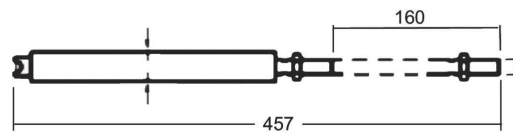
Art. 39-00174 (Kg.0,054)
 Attacco femmina piccolo allum.
 per molla gas con foro D. 8
*Aluminium female bracket
 for gas spring with D.8 mm hole*



Art. 39-00175 (Kg.0,010)
 Attacco maschio in allum.
 per molla gas art.39-00170
*Aluminium male bracket
 for gas spring art. 39-00170*



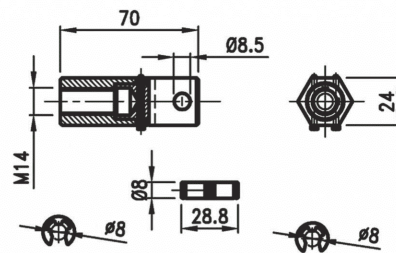
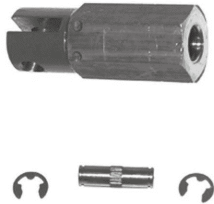
Art. 39-00176 (Kg.0,007)
 Attacco femmina in allum.
 per molla gas art.39-00170
*Aluminium female bracket
 for gas spring art.39-00170*

Molla a gas per supporto paratia e KitGas springs for support wallA richiesta / On demand**Art. 39-00157**

(Kg. 0,650)

Molla a gas Kg.250 per supporto paratia

Gas springs Kg. 250 for support wall

**Art. 39-00158**

(Kg.0,250)

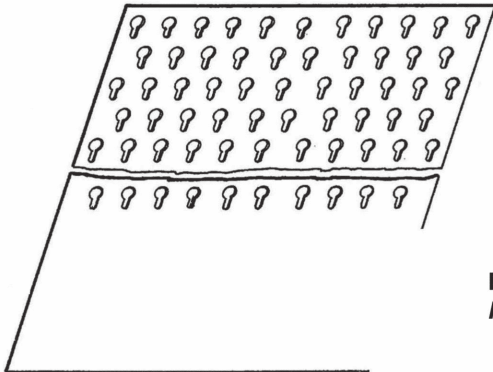
Kit terminale per molla a gas Kg.250 art. 39-00157

Kit gas spring end piece kg.250 art. 39-00157

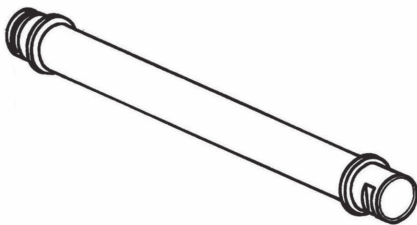
Trasporto confezioni

A RICHIESTA / ON DEMAND

Clothing transport

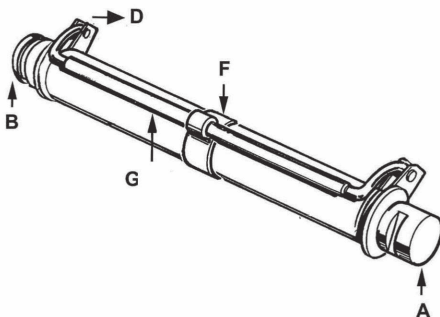


Pannello idoneo per furgoni prefabbricati con montante 60 mm.
Panel vans suitable for precast riser with every 60 mm.



Art. 39-00073

Tubo trasporto confezioni assemblato
Kit tube for clothing transport :



Art. 39-00074

Tubo trasporto confezioni con ferma grucce assemblato :
Kit tube for clothing transport with hanger assembled :



Art. 39-00064

Attacco fisso D.33 esterno D.23 interno / End piece for D.33 - D.23



Art. 39-00065

Attacco registrabile D.33 esterno D.23 interno / End piece adjustable D.33 - D.23



Art. 39-00068

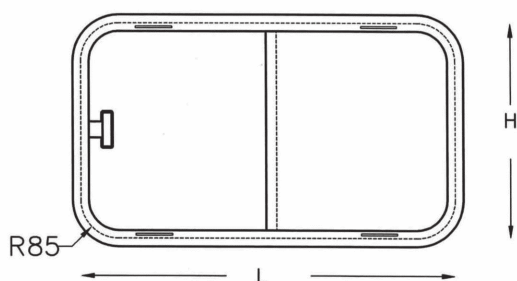
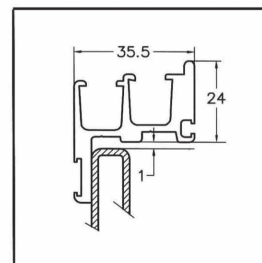
Gancio PVC per assesto / PVC hook

(D) **Art. 39-00066** Supporto per tubo ferma grucce / holder for tube for clothing transport

Finestrini standard (su richiesta)

windows standard (upon request)

Dimensioni standard vano / Sized compartment (MOD. PA01V / PA34)

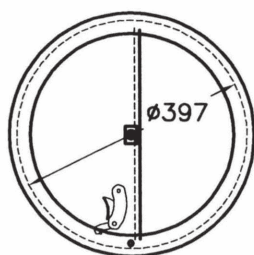
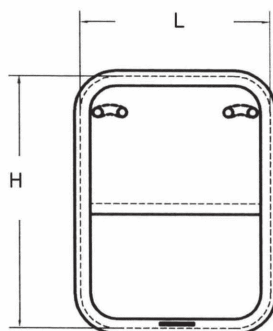
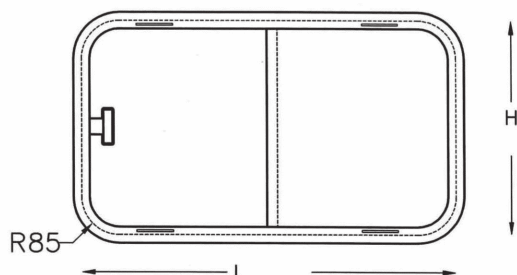
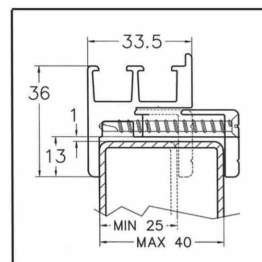
SCORREVOLE
ORIZZONTALEHORIZONTAL
SLIDING

H.	L.
300	400
300	600
300	700

H.	L.
400	500
400	800
400	1000

H.	L.
500	600
500	1000
500	1200

Dimensioni standard vano / Sized compartment (MOD. PA028)

Tondo D.400 dx e sx
Round tube D.400 dx and sxScorrevole verticale H.600 x L.450
Vertical sliding H.600 x L.450SCORREVOLE
ORIZZONTALEHORIZONTAL
SLIDING

H.	L.
300	400
300	700
400	800
450	600
600	900