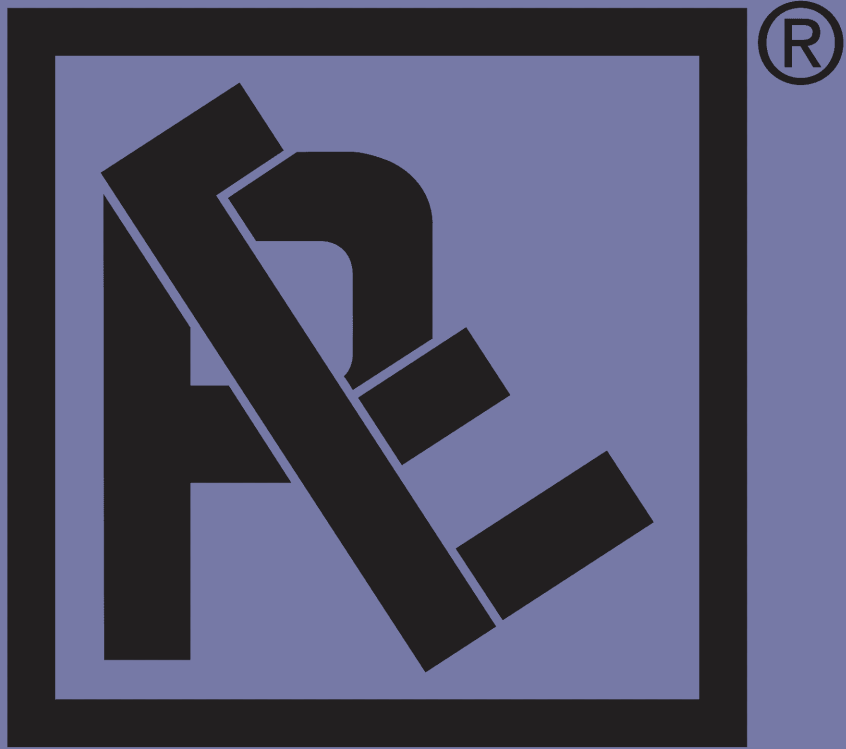


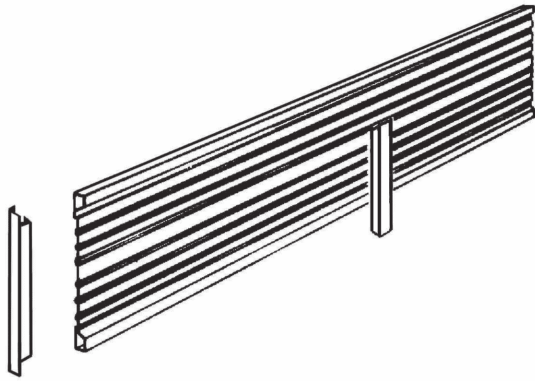
Profilati in ferro

Iron profiles

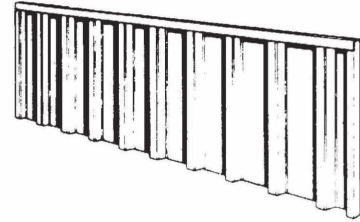
46



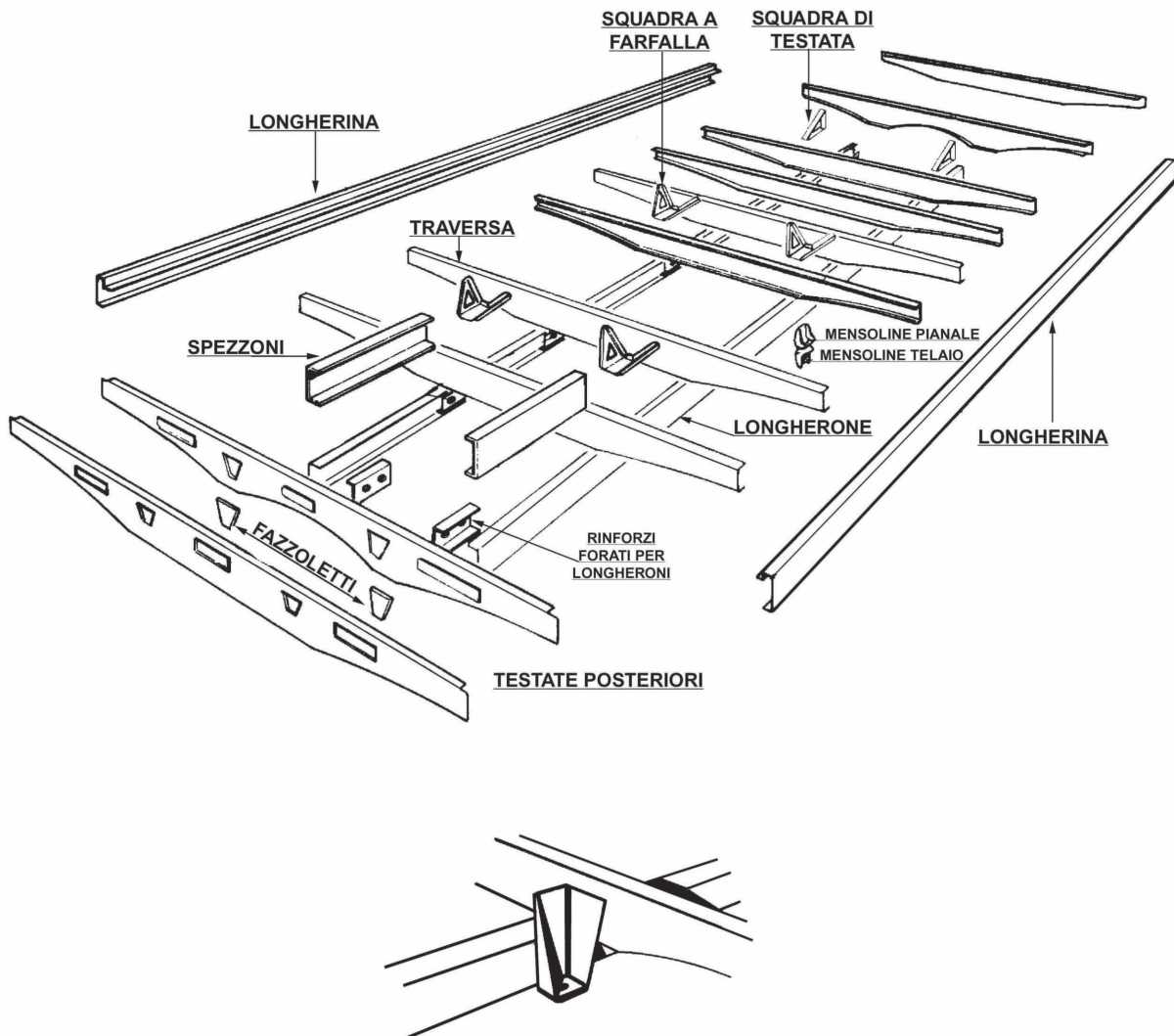
RE-ALL



SPONDE E ACCESSORI IN FERRO

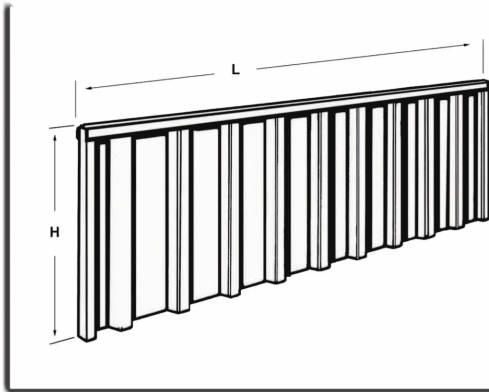


PARATIA NERVATA ANTERIORE

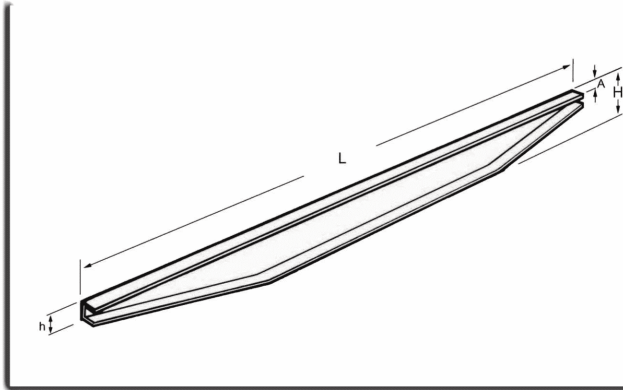


Mensoline per ancoraggio carrozzerie e rinforzo congiunzione traverse a longherone (adatto per gamma S e gamma Z)

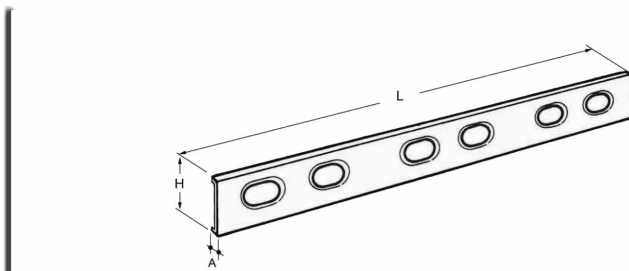
Profilati in ferro (su ordinazione) / Iron profiles (on demand)



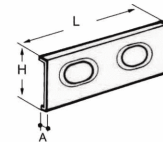
Paratie Anteriori per cassoni in lamiera nervata
Front bulkhead for trucks



Traverse stampate sp.20/10-25/10-30/10
Bars with thickness 20/10-25/10-30/10



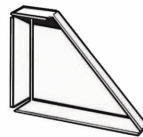
Rinforzi per scatoratura longheroni



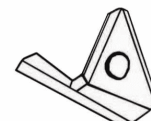
Stiffeners for profiles for floor



Squadra di testata DX - SX H.97
Brackets for front and rear boundary H=97 Right and Left



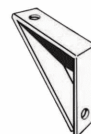
Squadra di testata DX - SX H.150
Brackets for front and rear boundary H.150 Right and Left



Squadre per traversa a farfalla H.150
Brackets for bars H=150



Squadra per traverse H. 100
Brackets for bars H=100

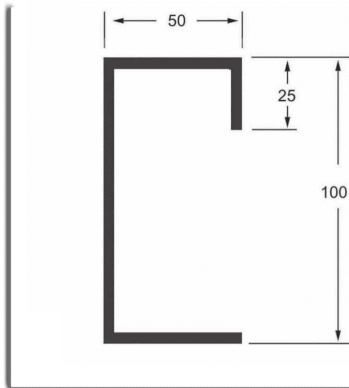


Squadra battisponda 115x115
Brackets 115 x 115 mm

Squadre per pianali stampate

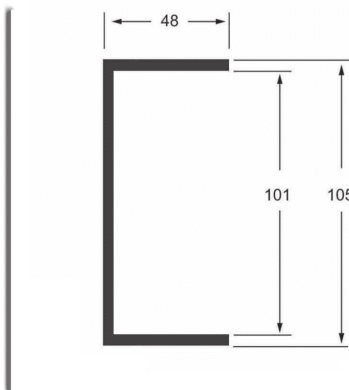
Brackets

Profilati in ferro (su ordinazione) / Iron profiles (on demand)



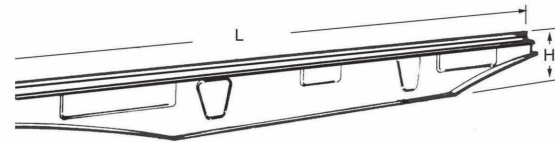
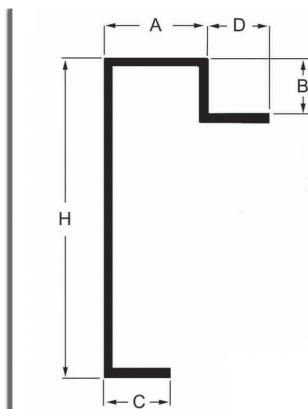
Traverse per furgoni Pal-Kit

Bars for vans Pal-Kit



Contorno laterale per furgoni Pal-Kit

Lateral boundary for vans Pal-Kit

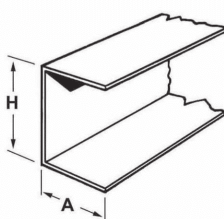


Testate anteriori e posteriori

Front and rear boundary for vans

Longheroni piegati

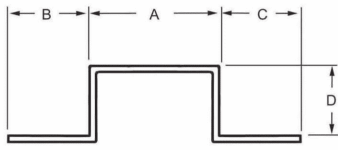
Iron profiles for lorry bed



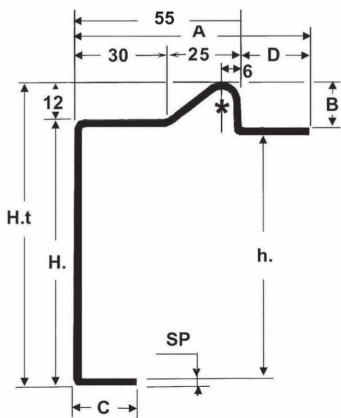
Art.	H	A	Lungh.	Sp.Tick	Kg/mt.
46-00090	70	60	6000	25/10	3,530
46-00091	75	60	6000	50/10	7,605
46-00092	90	60	5000	20/10	3,152
46-00093	101	60	6000	30/10	4,891
46-00094	113	65	6000	40/10	7,083
46-00095	150	60	6000	30/10	6,038
46-00096	95	73	6000	70/10	11,738
46-00097	120	73	5000	80/10	14,665

Profilati in ferro (su ordinazione) / Iron profiles (on demand)

Profili ad omega rinforzo pianale / Omega profiles to reinforce the lorry bed



Art.	A	B	C	D	Sp.Tick	Kg/mt.
46-00170	50	30	30	23	25/10	3,257
46-00171	50	30	30	30	25/10	3,764
46-00172	80	30	30	27	25/10	3,505
46-00173	85	30	30	32	25/10	3,705

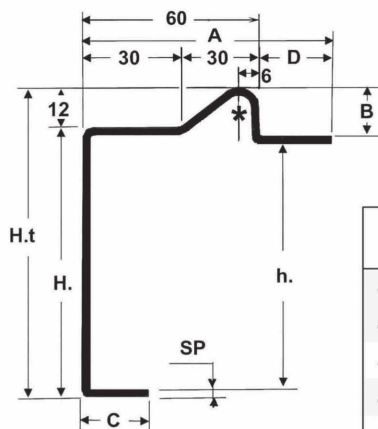


Longherine piegate per contorni pianali TIPO "A" Iron profiles for boundary for lorry bed TYPE "A"

(a richiesta - on demand)

Art.	H.t.	H	A	B	C	D	h	Sp.Tick.	L	Kg/mt.
46-00040	92	80	80	21	20	25	67	20/10		3,160
46-00041	102	90	83	24	23	28	74	20/10		3,400
46-00042	102	90	83	27	23	28	70	25/10		4,550

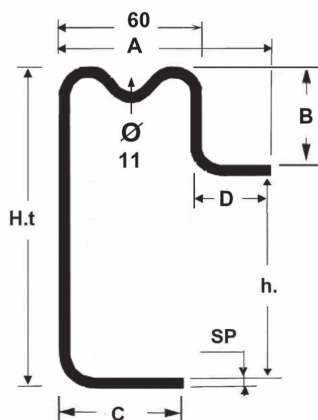
Art.	H.t.	H	A	B	C	D	h	Sp.Tick.	L	Kg/mt.
46-00039	92	80	80	18	20	25	70	20/10	6600	3,080



Longherine piegate per contorni pianali TIPO "B" Iron profiles for boundary for lorry bed TYPE "B"

(a richiesta - on demand)

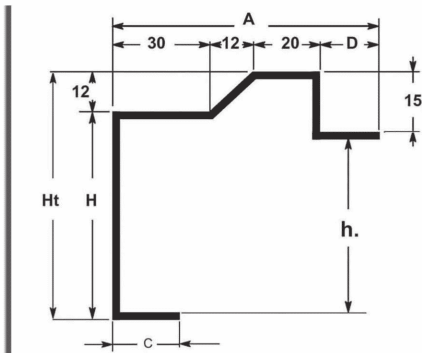
Art.	H.t.	H	A	B	C	D	h	Sp.Tick.	L	Kg/mt.
46-00043	113	101	88	27	30	28	80	30/10		5,600
46-00044	118	105	90	30	30	30	80	40/10		8,200
46-00045	142	130	90	31	30	30	104	35/10		7,600
46-00046	112	100	90	21	30	30	85	30/10		5,500
46-00047	112	100	90	24	30	30	82	30/10		5,600



Longherine piegate laterali con incavo Iron profiles lateral with recess for lorry bed

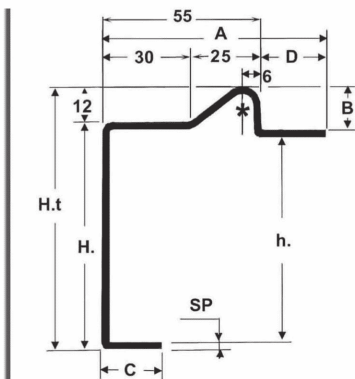
(a richiesta - on demand)

Art.	H.t.	Ø	A	B	C	D	h	Sp.Tick.	L	Kg/mt.
46-00049	92	11	68	17	22	28	71	20/10	6500	3,340



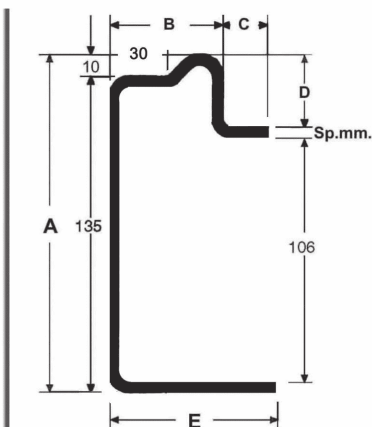
Longherine piegate per contorni pianali
Iron profiles for boundary for lorry bed

Art.	H.t.	H	A	B	C	D	h	Sp.Tick	Lungh.	Kg/mt.
46-00038	92	80	87	15	20	25	73	20/10	6000	2,950



Longherine piegate per contorni pianali TIPO " N "
Iron profiles for boundary for lorry bed TYPE " N "

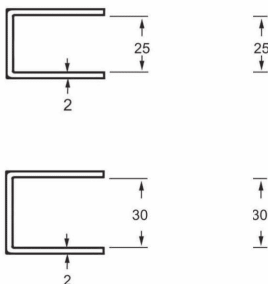
Art.	H.t.	H	A	B	C	D	h	Sp.Tick	L	Kg/mt.
46-00039N	93	81	80	18	20	25	70	25/10	6600	3,850
46-00041N	105	93	83	24	23	28	75	30/10	6600	5,050
46-00042N	108	96	83	27	23	28	75	30/10	6600	5,200



Art.	A	B	C	D	E	Sp.Tick	Lungh.	Kg/mt.
46-00051	145	57	20	31	75	30/10	6700	7,300

Testate per sponde in alluminio

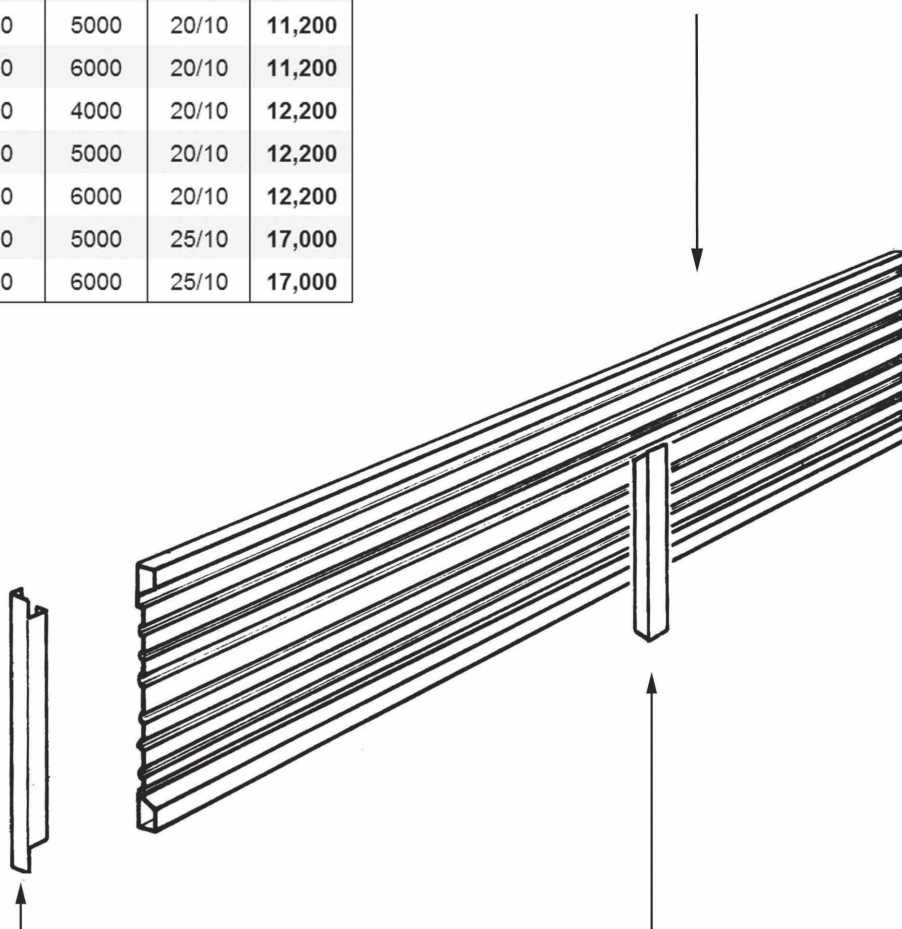
Side board heads for aluminium side boards



Art.	Zinc./Galv.	Inox / S.s.	Ali / Wings	Sp.Tick	Lungh.	Kg/cd.
46-00193	■		40	25	3000	4,950
46-00198	■		40	30	3000	5,150
46-00190	■		60	25	3000	6,500
46-00191	■		60	30	3000	7,000
46-00194		■	40	25	3000	4,950
46-00199		■	40	30	3000	5,150
46-00192		■	60	25	3000	6,500
46-00197		■	60	30	3000	7,000

Sponde in ferro profilate / Testate / MontantiIron side panels / Iron side board heads / Iron stiffeners

Art.	H	Lungh.	Sp.Tick	Kg/mt.
46-00220	300	4000	15/10	6,800
46-00222	300	6000	15/10	6,800
46-00223	350	3500	15/10	7,500
46-00225	350	6000	15/10	7,500
46-00226	400	4000	15/10	7,900
46-00227	400	5000	15/10	7,900
46-00228	400	6000	15/10	7,900
46-00235	450	5000	20/10	11,200
46-00236	450	6000	20/10	11,200
46-00229	500	4000	20/10	12,200
46-00230	500	5000	20/10	12,200
46-00231	500	6000	20/10	12,200
46-00232	600	5000	25/10	17,000
46-00233	600	6000	25/10	17,000

SPONDE IN FERRO PROFILATE
IRON SIDE PANELSTESTATE / IRON SIDE PANEL HEADS

Art.	H	Kg/cd.
46-00200	300	0,507
46-00201	350	0,568
46-00202	400	0,660
46-00203	500	1,128
46-00204	600	1,771
46-00205	450	1,036

MONTANTI / IRON STIFFENERS

Art.	H	Kg/cd.
46-00210	300	0,340
46-00211	350	0,370
46-00212	400	0,492
46-00213	500	1,034
46-00214	600	1,233
46-00215	450	0,551